

**Overview:**

Altronix NetWay1512 and NetWay3012 adapters allow operation of non-PoE compliant fixed and/or PTZ IP cameras with NetWay midspans.

**Specifications:**
**NetWay1512:**

- 12VDC/15W adapter for non-PoE compliant IP cameras.

**NetWay3012:**

- 12VDC/30W adapter for non-PoE compliant IP cameras.

**Common Specifications:**

- Power LED indicator.
- Compact insulated housing.
- Plug-and-play installation.

**Installation Instructions:**

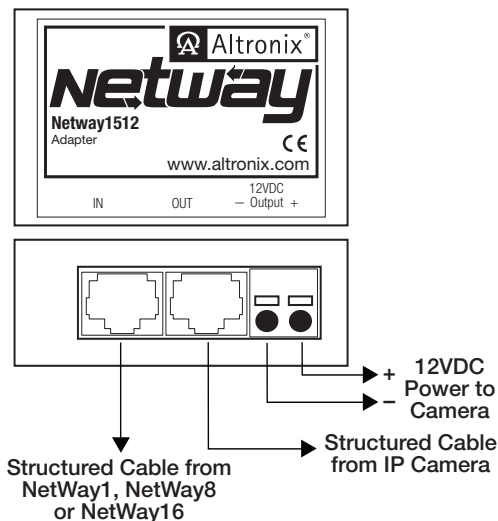
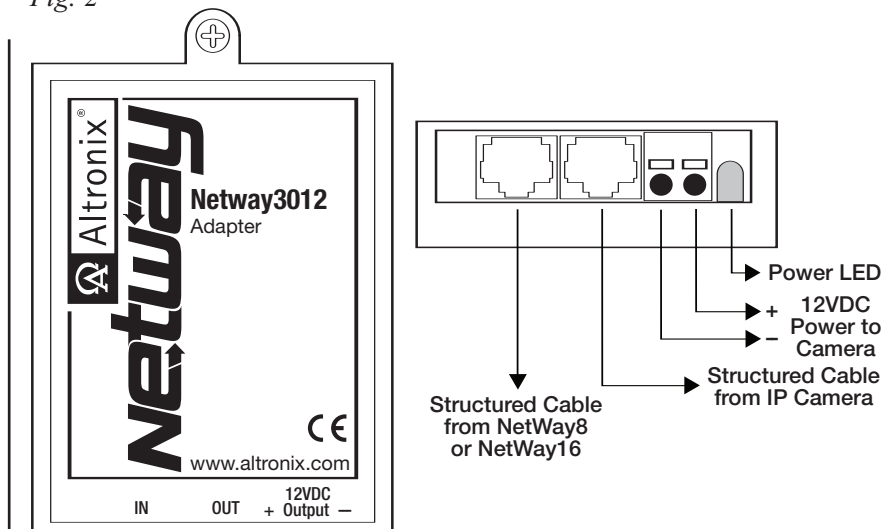
NetWay1512/NetWay3012 is not intended to be connected to outside plant leads.

**NetWay1512 for 12VDC IP cameras up to 15W:**

1. Mount NetWay1512 in proximity to IP camera (*Fig. 1, pg. 1*). Affix one side of velcro (supplied) to NetWay1512 and place the second side of the velcro in the desired location.
2. Connect structured cable from port marked [IN] on NetWay1512 to any ports marked [OUT] of NetWay1/NetWay8/NetWay16 (*Fig. 1, pg. 1*).
3. Connect structured cable from port marked [OUT] on NetWay1512 to the IP camera (*Fig. 1, pg. 1*).
4. Connect 12VDC output from NetWay1512 terminals marked [-12VDC +] to the power input of the IP camera (*Fig. 1, pg. 1*). Polarity must be observed.
5. Power LED indicator will illuminate on NetWay1512 under normal conditions (*Fig. 1, pg. 1*).

**NetWay3012 for 12VDC IP fixed or PTZ cameras up to 30W:**

1. Mount NetWay3012 in proximity to IP camera utilizing mounting hole (*Fig. 2, pg. 1*). Use a proper fastener and/or wall anchor when securing NetWay3012 to the wall.
2. Connect structured cable from port marked [IN] on NetWay3012 to ports marked [OUT 1 or 2] of NetWay8 or [OUT 1, 2, 9 or 10] of NetWay16 (*Fig. 2, pg. 1*).
3. Set Power Selector Switch of that corresponding port on NetWay8/NetWay16 to 30W (red LED will illuminate) (*Fig. 3a, pg. 2*).
4. Connect structured cable from port marked [OUT] on NetWay3012 to the IP fixed or PTZ camera (*Fig. 2, pg. 1*).
5. Connect 12VDC output from NetWay3012 terminals marked [-12VDC +] to the power input of the IP camera (*Fig. 2, pg. 1*). Polarity must be observed.
6. Power LED indicator will illuminate on NetWay3012 under normal conditions (*Fig. 2, pg. 1*).

*Fig. 1*

*Fig. 2*


## Typical Application:

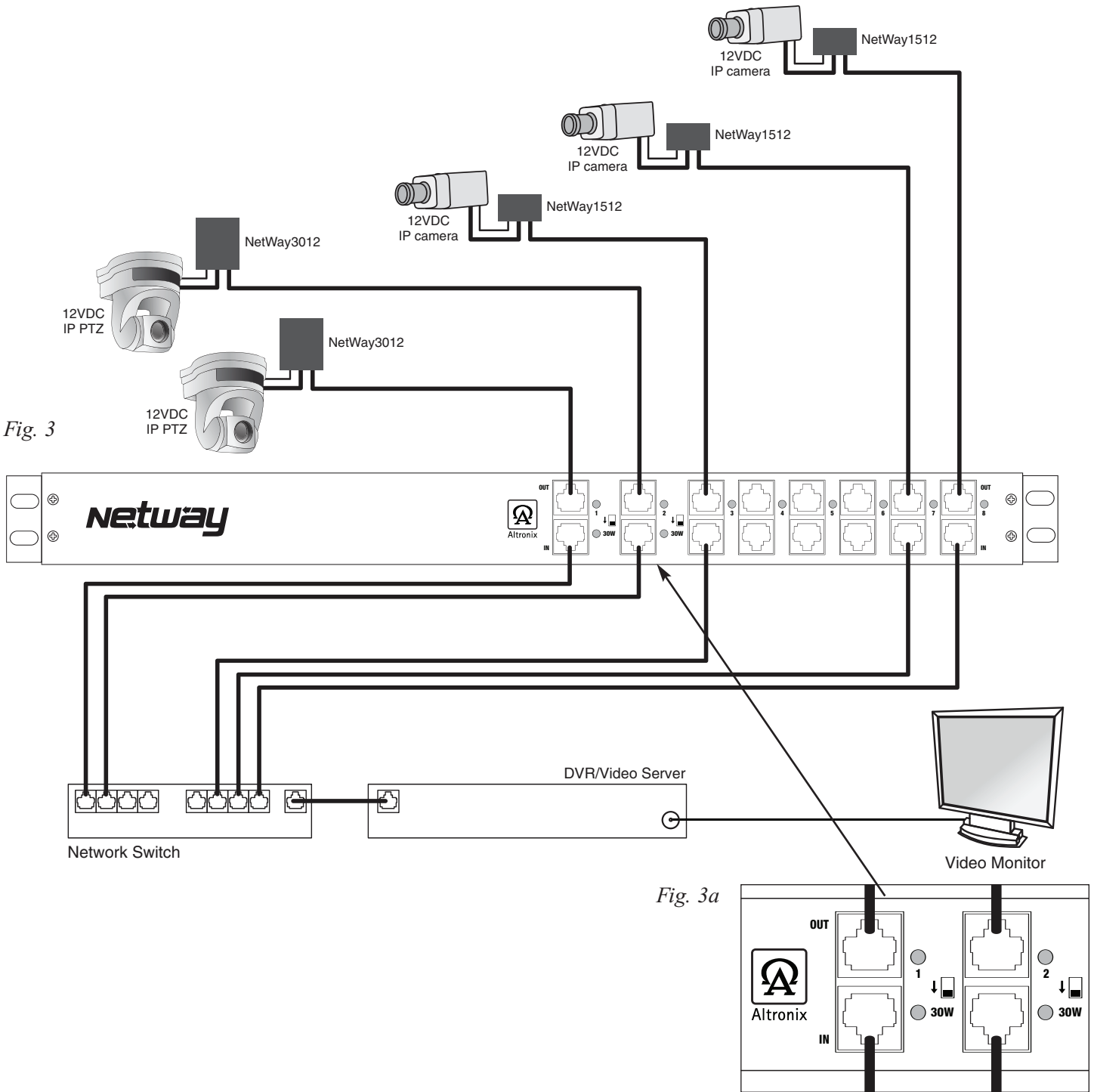


Fig. 3

Fig. 3a

Altronix is not responsible for any typographical errors.

140 58th Street, Brooklyn, New York 11220 USA, 718-567-8181, fax: 718-567-9056  
 website: www.altronix.com, e-mail: info@altronix.com, Lifetime Warranty, Made in U.S.A.  
 IINetWay1512 / NetWay3012

F12I



NetWay1512/NetWay3012