



ALTV2416 Series CCTV Power Supplies

Installation Guide

Models Include:

ALTV2416

- ***24VAC @ 8 amp (200VA)
or 28VAC @ 7 amp.***
- ***Sixteen (16) Fuse Protected Outputs.***

ALTV2416350

- ***24VAC @ 14 amp (350VA)
or 28VAC @ 12.5 amp (350VA).***
- ***Sixteen (16) Fuse Protected Outputs.***

ALTV2416300M

- ***24VAC @ 12.5 amp (300VA)
or 28VAC @ 10 amp (300VA).***
- ***Sixteen (16) Fuse Protected Outputs.***

ALTV2416600

- ***24VAC @ 28 amp (700VA)
or 28VAC @ 25 amp (700VA).***
- ***Sixteen (16) Fuse Protected Outputs.***

ALTV2416CB

- ***24VAC @ 8 amp (200VA)
or 28VAC @ 7 amp.***
- ***Sixteen (16) PTC Protected Outputs.***

ALTV2416350CB

- ***24VAC @ 14 amp (350VA)
or 28VAC @ 12.5 amp (350VA).***
- ***Sixteen (16) PTC Protected Outputs.***

ALTV2416300CBM

- ***24VAC @ 12.5 amp (300VA)
or 28VAC @ 10 amp (300VA).***
- ***Sixteen (16) PTC Protected Outputs.***

ALTV2416600CB

- ***24VAC @ 28 amp (700VA)
or 28VAC @ 25 amp (700VA).***
- ***Sixteen (16) PTC Protected Outputs.***



Overview:

These Altronix CCTV Power Supplies provide 24VAC/28VAC distributed via sixteen (16) fuse or PTC protected outputs for powering CCTV Cameras, heaters and other video accessories.

Sixteen (16) Output ALTV2416 Reference Chart:

Altronix Model Number	Output Voltage	Total Output Current (Power)	Number of Outputs	PTC Protected Outputs	Fuse Protected Outputs	Output Current (max per output)	Main Fuse Ratings on Board	115VAC 50/60Hz Input Current
ALTV2416	24VAC	8 amp	16	-	x	3.5 amp	(2) 5 amp/250V	1.9 amp
	28VAC	7 amp						
ALTV2416CB	24VAC	8 amp	16	x	-	2.5 amp	(2) 5 amp/250V	1.9 amp
	28VAC	7 amp						
ALTV2416350	24VAC	14 amp	16	-	x	3.5 amp	(2) 5 amp/32V	2.7 amp
	28VAC	12.5 amp						
ALTV2416350CB	24VAC	14 amp	16	x	-	2.5 amp	(2) 5 amp/32V	2.7 amp
	28VAC	12.5 amp						
ALTV2416300M	24VAC	12.5 amp	16	-	x	3.5 amp	-	2.7 amp
	28VAC	10 amp						
ALTV2416300CBM	24VAC	12.5 amp	16	x	-	2.5 amp	-	2.7 amp
	28VAC	10 amp						
ALTV2416600	24VAC	28 amp	16	-	x	3.5 amp	(2) 5 amp/250V	5.4 amp
	28VAC	25 amp						
ALTV2416600CB	24VAC	28 amp	16	x	-	2.5 amp	(2) 5 amp/250V	5.4 amp
	28VAC	25 amp						

Specifications:

- Surge suppression.
- AC power LED indicator.
- Power ON/OFF switch (ALTV2416 and ALTV2416CB).
- Illuminated power disconnect circuit breaker with manual reset for all other models.
- Unit maintains camera synchronization.
- Ease of installation saves time & eliminates costly labor.
- Spare fuses included (on fuse protected models).

Enclosure Dimensions:

ALTV2416 and ALTV2416CB: 8.5”H x 7.5”W x 3.5”D
 ALTV2416300M and ALTV2416300CBM: 8.5”H x 7.5”W x 3.75”D
 ALTV2416350, ALTV2416350CB, ALTV2416600 and ALTV2416600CB: 13.5”H x 13”W x 3.25”D

Installation Instructions:

1. Mount unit in desired location. Mark and predrill holes in the wall to line up with the top two keyholes in the enclosure. Install two upper fasteners and screws in the wall with the screw heads protruding. Place the enclosure’s upper keyholes over the two upper screws, level and secure. Mark the position of the lower two holes. Remove the enclosure. Drill the lower holes and install the three fasteners. Place the enclosure’s upper keyholes over the two upper screws. Install the two lower screws and make sure to tighten all screws (*Enclosure Dimensions, pg. 7,8*). Secure enclosure to earth ground.
2. Slide switch on PD board to OFF position for models ALTV2416 and ALTV2416CB (*Fig. 1, pg. 4*). Turn OFF main switch on all other models (*Figs. 2-4, pgs. 4-6*).
3. All units are factory set for 24VAC operation.

For 28VAC operation, adjust unit prior to mounting and applying power as follows:

Change the wire position so that the black wire [28V] is connected to the terminal marked [P] and the yellow wire [24V] is connected to the terminal marked [S].

4. Connect AC power to the black and white flying lead of the transformer(s) (Figs. 1-4, pgs. 4-6). Use 18 AWG or larger for all power connections.
5. Measure output voltage before connecting devices. This helps avoid potential damage. Terminals marked [1P - 8P] are positive of the same polarity.

CAUTION: Determine the maximum operating voltage of the equipment being powered before adjusting the output voltage.

6. Connect devices to terminals marked [1P - 1N through 8P - 8N] on PD8/PD8CB board (Fig. 1, pgs. 4), carefully observing polarity [1P - 1N through 16P - 16N] on PD16W/PD16WCB board.
7. Slide switch on PD board to ON position for models ALTV2416, and ALTV2416CB (Fig. 1, pg. 4). Turn main switch on all other models to the “RESET” (ON) position (Figs. 3-5, pgs. 5-6).
8. Green LED will illuminate when unit is powered.
9. Upon completion of wiring, secure enclosure door with screws (supplied).

Caution: Equipment to be installed / serviced by authorized / trained personnel only. Shut branch circuit power before installing / servicing equipment.

WARNING: To reduce the risk of fire or electric shock, do not expose the unit to rain or moisture. This installation should be made by qualified service personnel and should conform to all local codes and in accordance with the National Electrical Code.

Terminal Identification:

PD8/PD8CB - Power Distribution Module

1P - 8P	Positive AC output.
1N - 8N	Negative AC output.

PD16W/PD16WCB - Power Distribution Module

1P - 16P	Positive AC output.
1N - 16N	Negative AC output.

Fig. 1 - ALTV2416 • ALTV2416CB

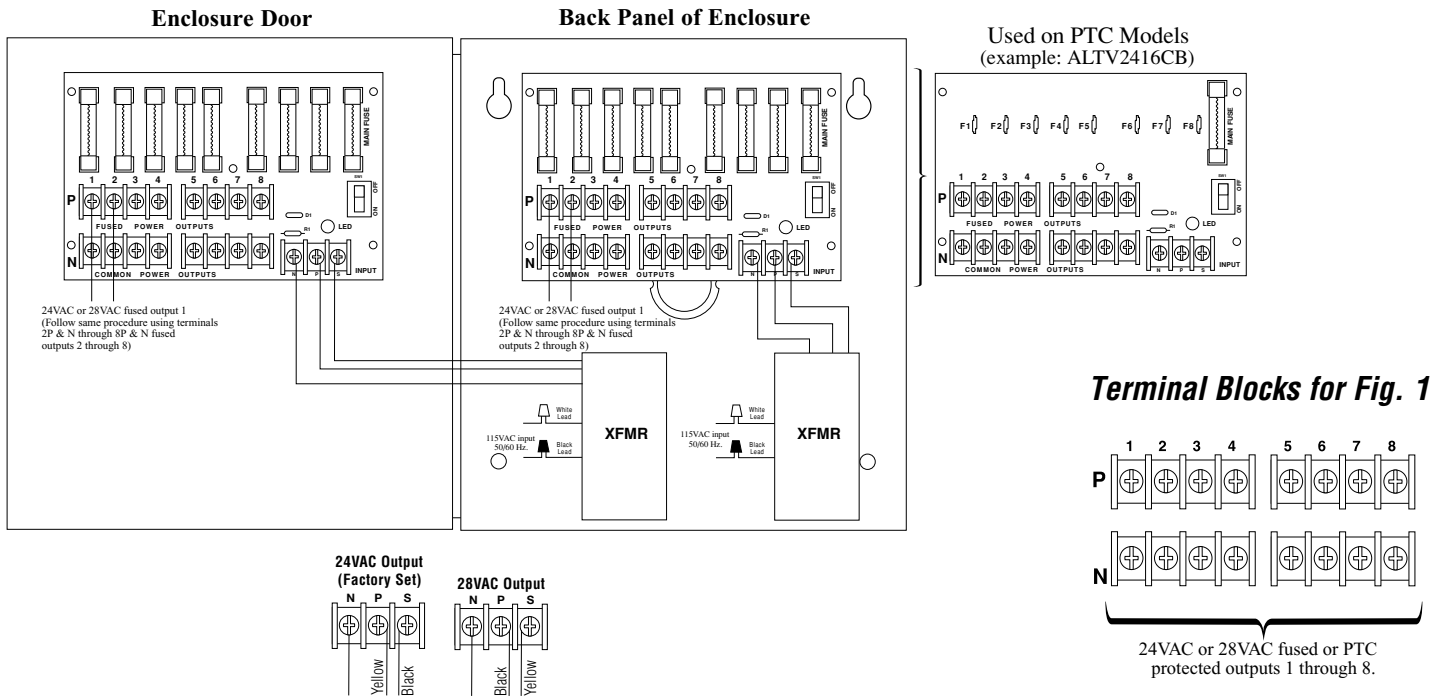


Fig. 2
ALTV2416350 • ALTV2416350CB

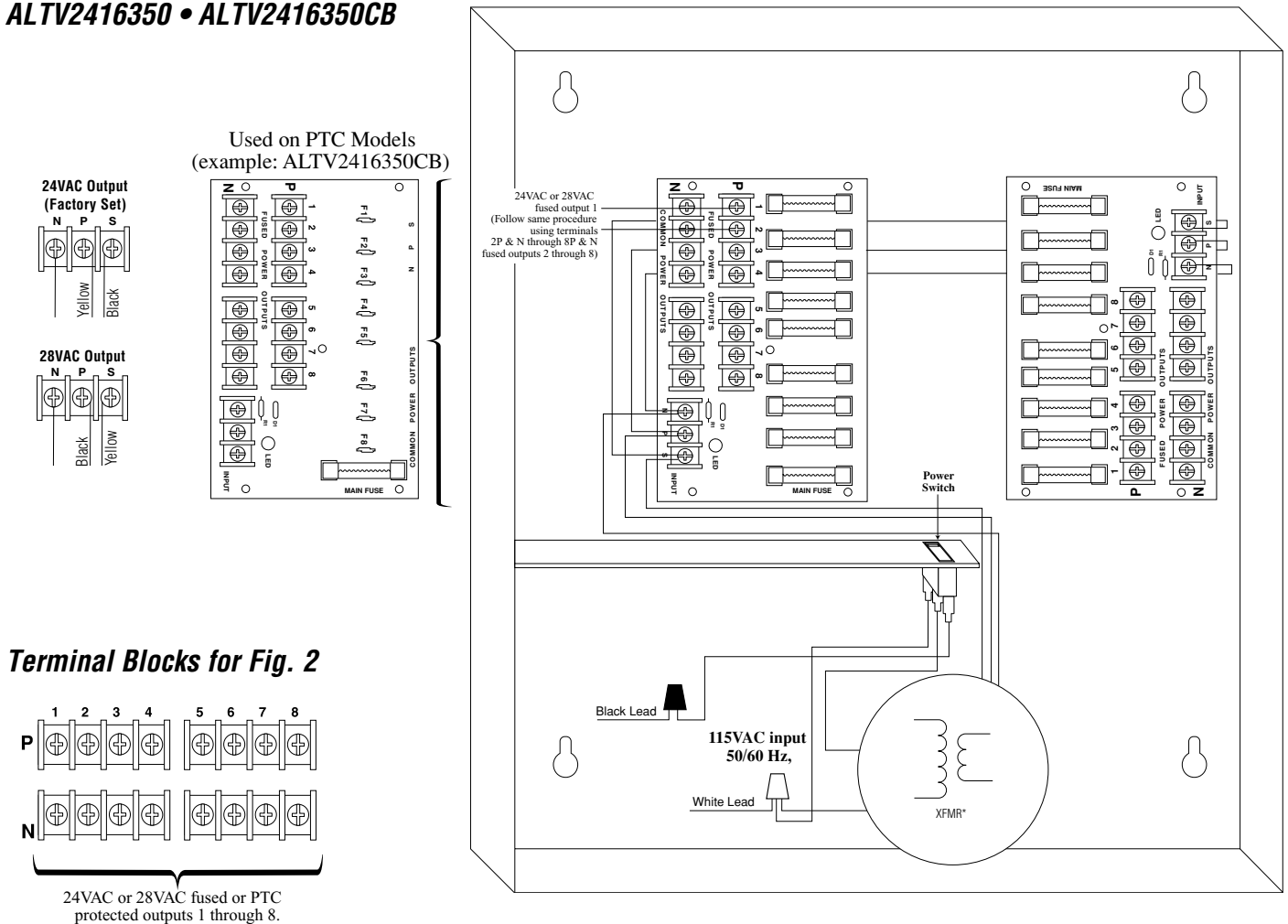
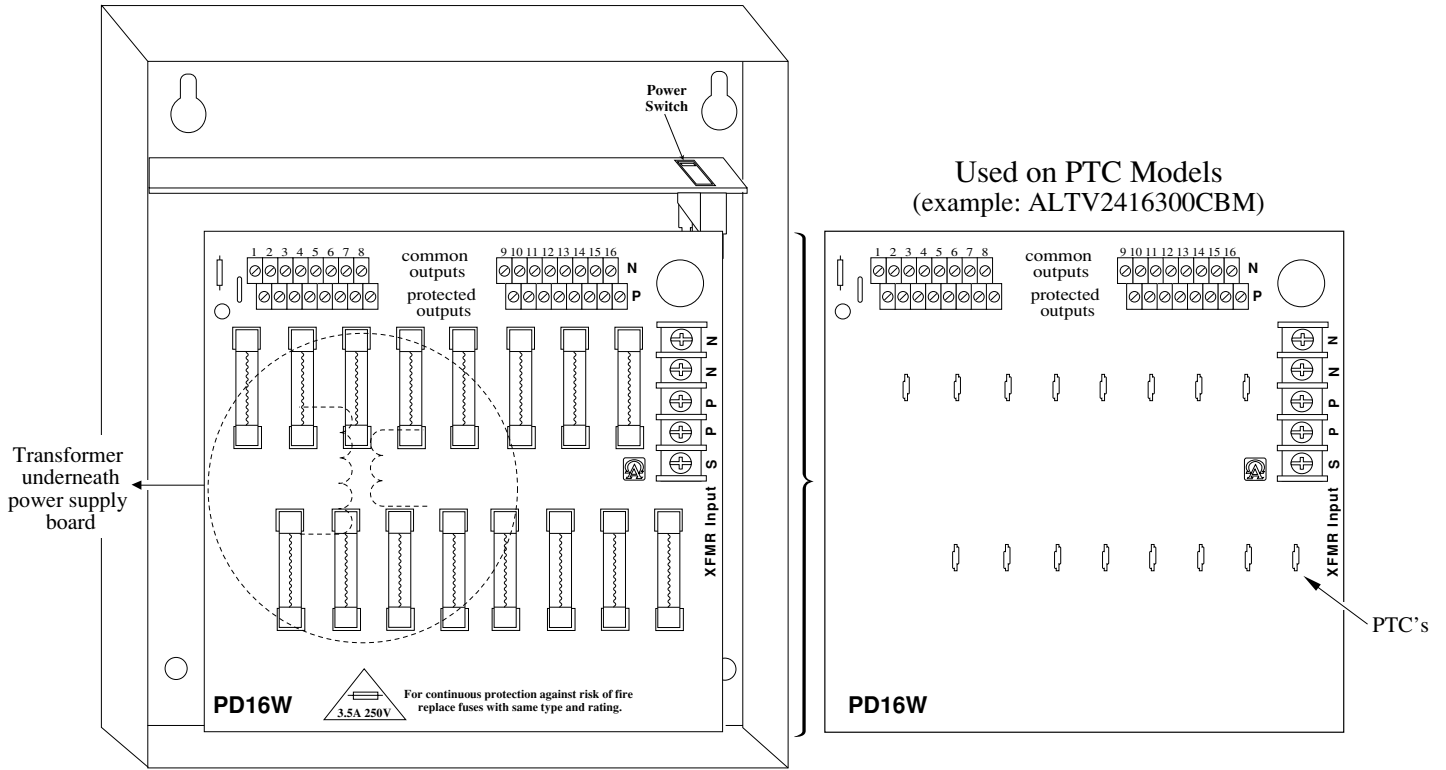


Fig. 3
ALTV2416300M • ALTV2416300CBM



Terminal Blocks for Fig. 3

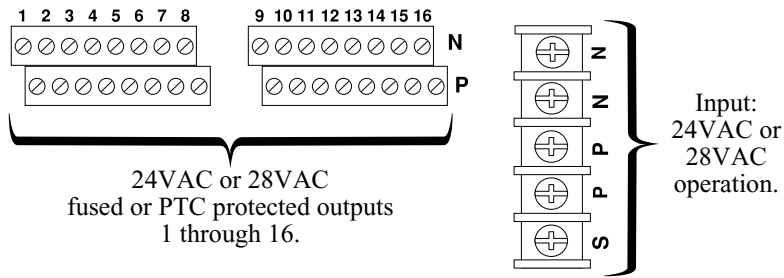
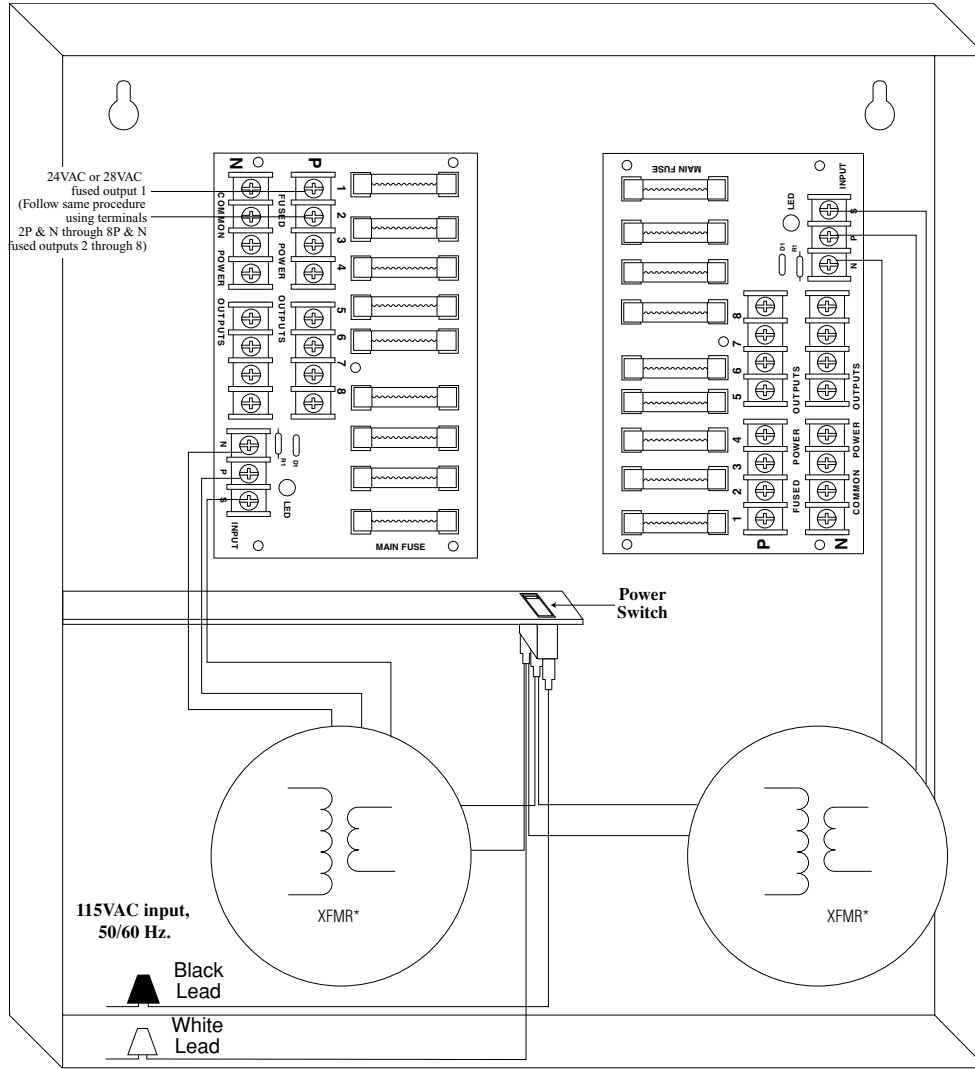
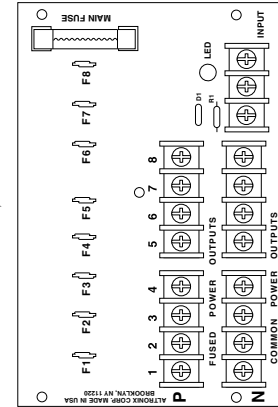


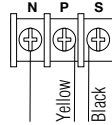
Fig. 4
ALTV2416600 • ALTV2416600CB



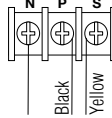
Used on PTC Models
 (example: ALTV2416600CB)



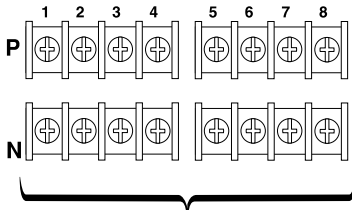
24VAC Output (Factory Set)



28VAC Output



Terminal Blocks for Fig. 4



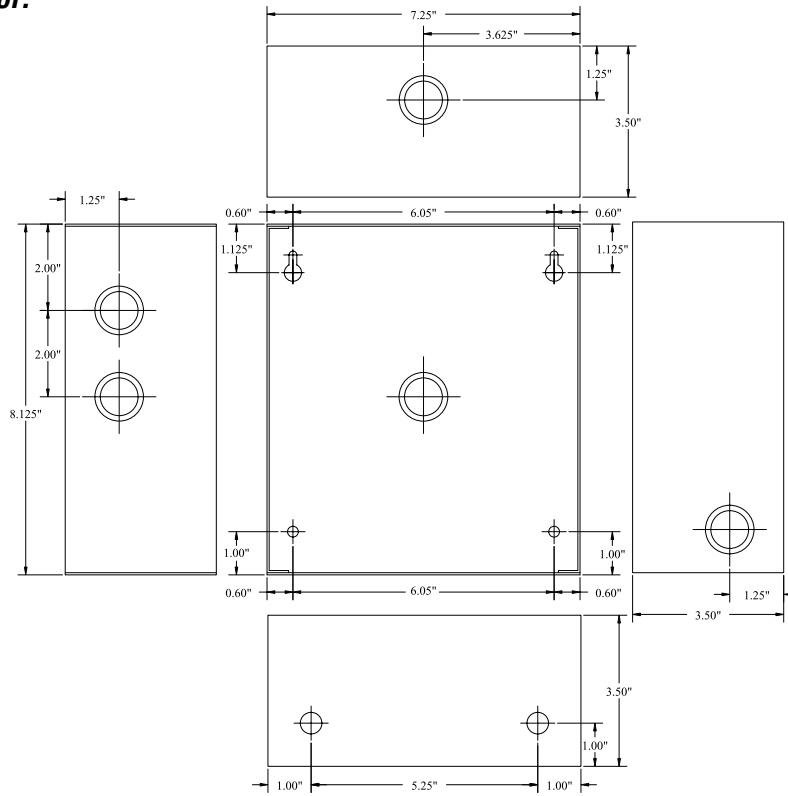
24VAC or 28VAC fused or PTC protected outputs 1 through 8.

Enclosure Dimensions for:

• **ALTV2416**

• **ALTV2416CB**

8.5”H x 7.5”W x 3.5”D

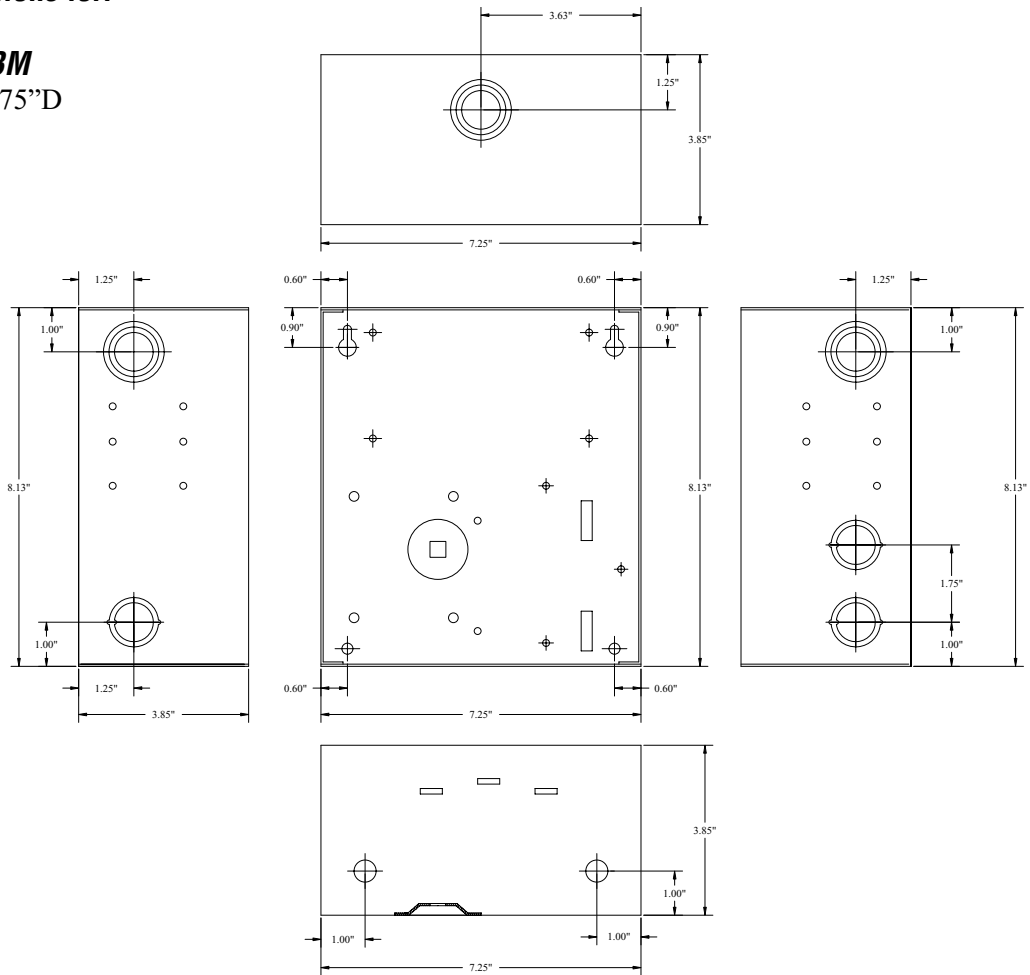


Enclosure Dimensions for:

• **ALTV2416300M**

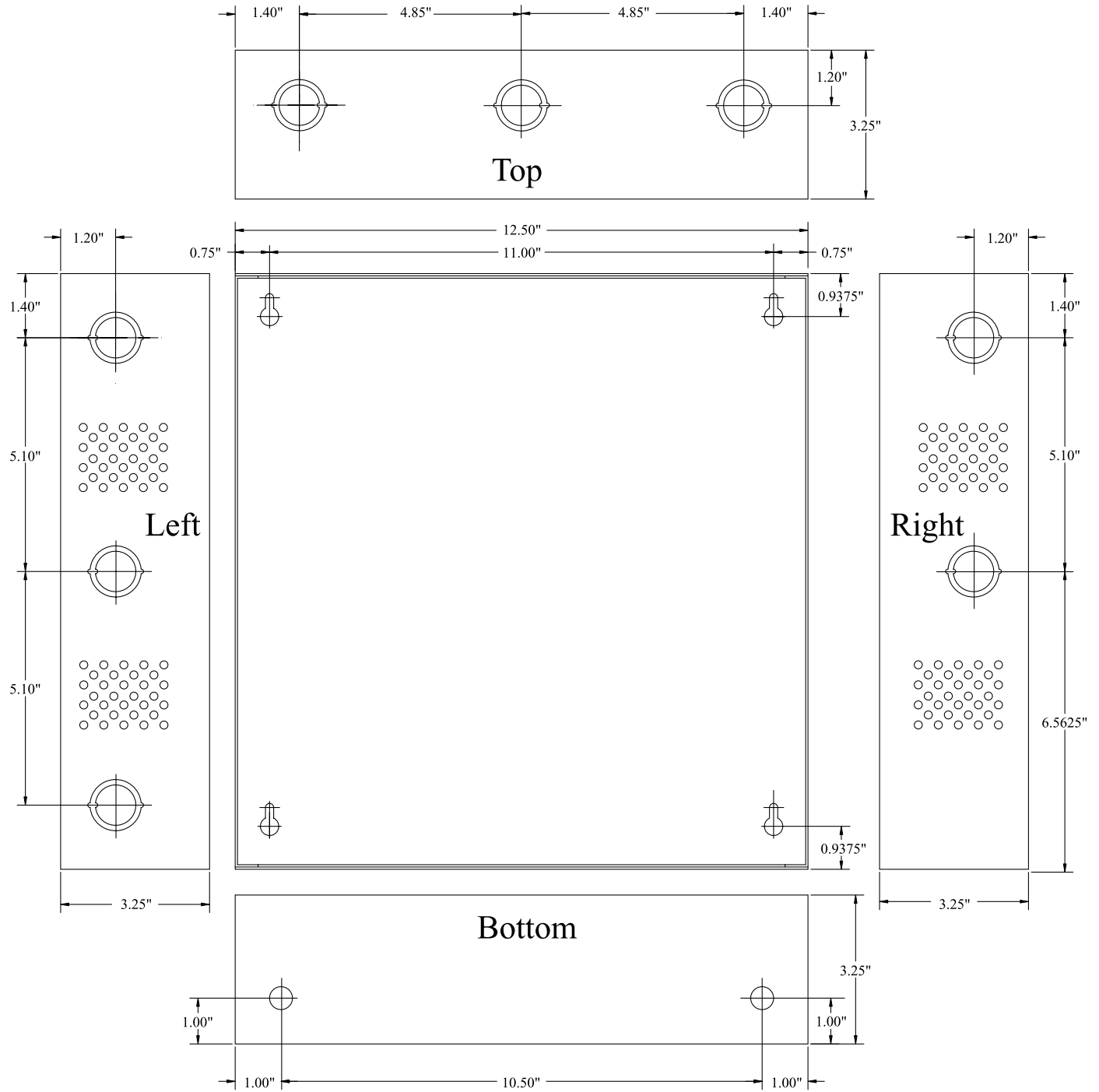
• **ALTV2416300CBM**

8.5”H x 7.5”W x 3.75”D



Enclosure Dimensions for:

- **ALTV2416350**
 - **ALTV2416350CB**
 - **ALTV2416600**
 - **ALTV2416600CB**
- 13.5"H x 13"W x 3.5"D



Altronix is not responsible for any typographical errors.

Altronix Corp.
 140 58th Street, Brooklyn, New York 11220 USA, 718-567-8181, fax: 718-567-9056
 web site: www.altronix.com, e-mail: info@altronix.com, Lifetime Warranty, Made in U.S.A.
 IIIALTV2416Series G17L

