

**ELECTRIC LOCK MODIFICATION LISTING**

**Note:** If you do not find the lock of your choice listed, please consult with our factory engineering staff. We may request that you send a sample for further evaluation.

Manufacturer	Mortise Locks	Cylindrical Locks	Unit Locks
Arrow	AM17 BM17	H12 Q12	
Baldwin	6065 6065LS		
Best	35H7J, 45H7J		
Corbin Russwin	2055	3357	UT5257
Dorma	ML9070		
Falcon	ML561, MA561	T561	
Hager	3850	3480	
PDQ	MR148		
Sargent	8237	10G04	
Schlage	L9050 L9070 L9080* 9453	D80 Rhodes (Lever) D53 (Knob) D94 ND80, ND94	
Yale	8808	5405LN	

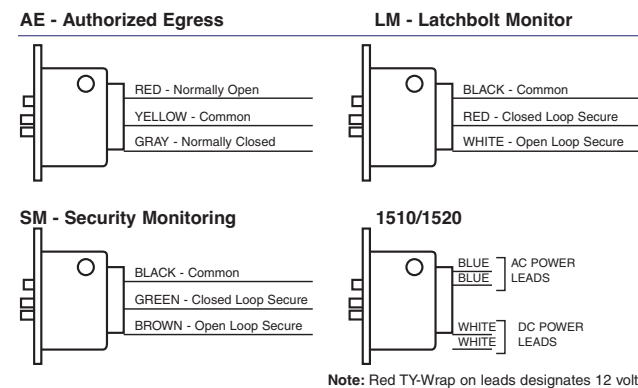
\*Schlage L9080 must be supplied with extra spring cage to compensate for lever sag of outside trim.

**ELECTRIC LOCK COMPARISON CHART**

ACSI	Arrow	Best	Corbin Russwin	Dorma	Falcon	Sargent	Schlage	Yale
M1510C-00-1	A17-177 B17-177	EWEL	20903 20910	ML9080EL	M851	8270	L9080EL	8890
M1510C-00-2		WWEL	20901 20920	ML9082EL	M811	8272	L9082EL	8894-2
M1520C-00-1	A17-178 B17-178	EWEU	20905 20930	ML9080EU	M881	8271	L9080EU	8891
M1520C-00-2		WWEU	20940 20940	L9082EU	M821	8273	L9082EU	8895-2
C1510C-00-1	Q12-177 H12-177		33903			10G70	ND80PDEL	5490
C1520C-00-1	Q12-178 H12-178		33905			10G71	ND80PDEU	5491
AE		RQE	M92	RX*		RX	RX	REX
LM*		LS*	M91*			LX*		LBM*
SM*			M105*					
DM*						DX*		

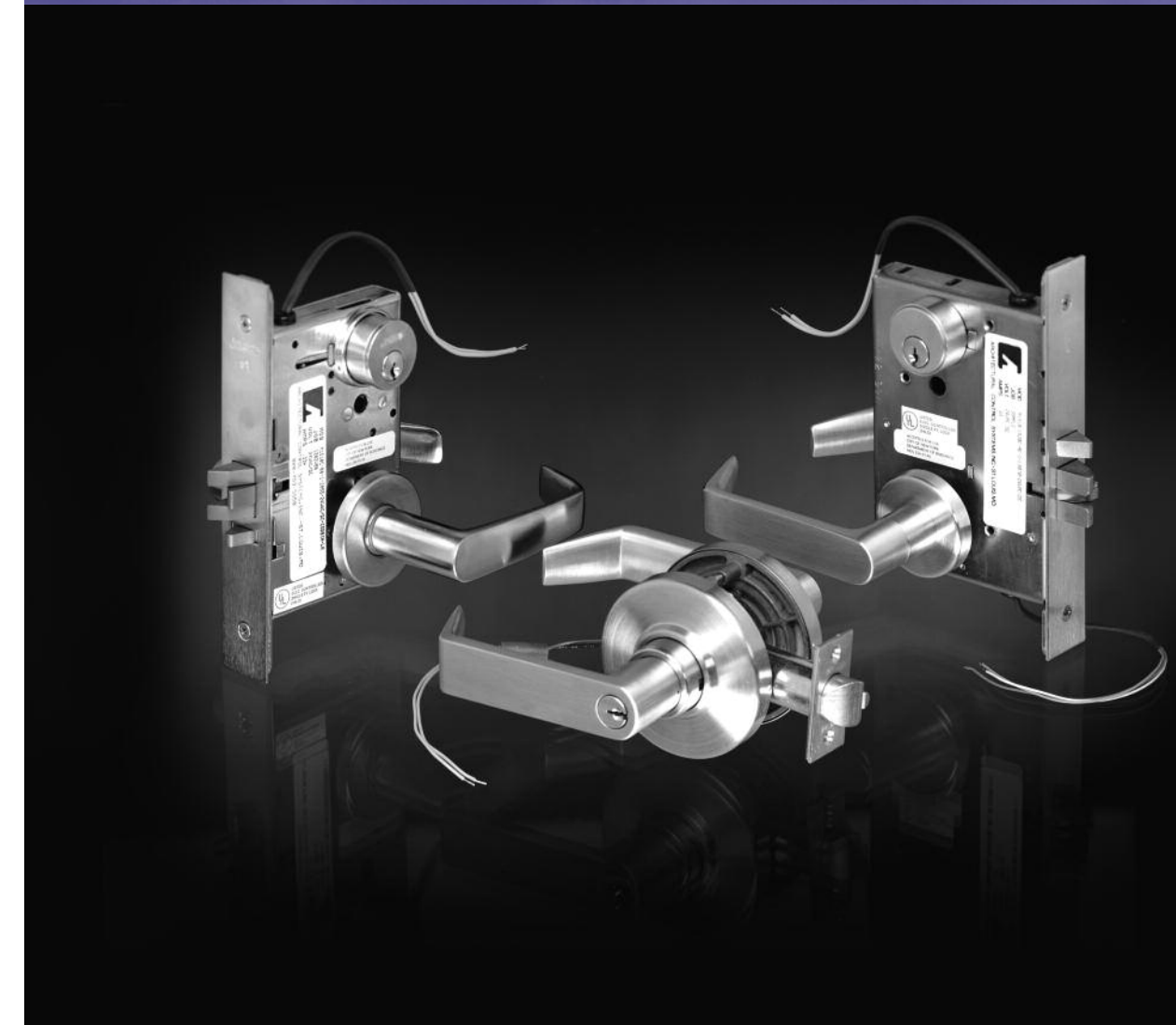
\*Available Mortise Only

**LOCK SCHEMATICS**



**ELECTRICAL SPECIFICATIONS**

M1510/1520	12VAC/DC 24VAC/DC	612 ma 330 ma
C1510/1520	12VAC/DC 24VAC/DC	250 ma 150 ma
MU1510/1520	12VAC/DC 24VAC/DC	612 ma 330 ma



MODIFICATIONS TO:  
 ARROW  
 BALDWIN  
 BEST  
 CORBIN/RUSSWIN  
 FALCON  
 HAGER  
 MARKS  
 PDQ  
 SARGENT  
 SCHLAGE  
 YALE

SERIES 1500 ELECTRIC LOCK CATALOG



**SERIES 1500 ELECTRIC LOCKS**

ACSI supplies high quality UL Listed modifications to a wide range of manufacturer's locksets. Series 1500 electric locks provide safety and security for stairtower doors or controlled areas where both locking and latching are required. The Series 1500 locks allow remote electric locking or unlocking while conforming to life-safety codes.

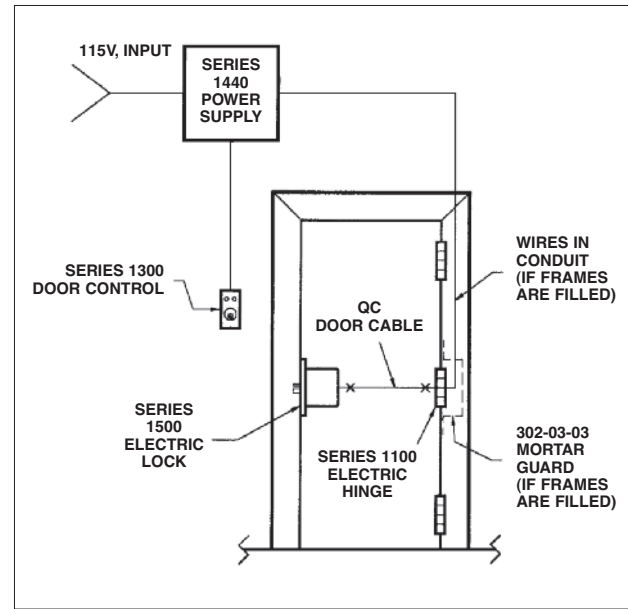
**Features**

- UL Listed
- Fail Safe (Power Lock)  
Outside trim is locked when power is applied and unlocked when power is removed (storeroom function when energized). Lockset will unlock in event of power failure (passage function).
- Fail Secure (Power Unlock)  
Outside trim is unlocked when power is applied and locked when power is removed. Lockset will lock in event of power failure.
- Continuous duty solenoids
- 24VDC, 24VAC, 12VDC, or 12VAC, operation
- When key cylinders are provided in the locks, the latchbolt may be momentarily retracted with key even though electrically locked. NOTE: Locks that are electrically unlocked may not be locked via the key cylinder.
- Wide variety of monitoring options are available
- Interface with Life-Safety Systems

**Applications**

Stairtower doors, office doors, classrooms, interlocks, elevator lobby doors, laboratories, computer rooms, cashier stations, hospital equipment rooms, pharmaceutical storage rooms.

**Typical Installation**



**HOW TO ORDER**

1 Lock Type	2 Modification Number	3 Options	4 Locking	5 Lock Part No.	6 Operating Voltage	7 Quick Connect Cable	8 Handing
M	1510	AE	1	Full	24VDC	QC	RH
C	1520	LM	2	Part	24VAC/DC	LC	LH
MU	1500	SM		Number	12VDC 12VAC/DC		RHR LHR
Example:							
M	1510	AE	1	L9070 (Schlage)	24VDC		RH

1. Lock Type (Select type of lock to be modified)

Model	Description
M	Mortise Lock
C	Cylindrical Lock
MU	Unit Lock

2. Modification Number (Select type of modification required)

Model	Description
1510	Fail Safe Control
1520	Fail Secure Control

**HOW TO ORDER (cont.)**

**3. Options**

Model	Description
<b>AE</b>	<b>Authorized Egress (Mortise or Cylindrical Lock)</b> ACSI Authorized Egress is a SPDT switch which monitors the activation of the INSIDE trim. The AE switch can be used to: • Shunt a door alarm to allow egress • Signal a control console when the trim is activated • Activate a door alarm • Control an electromagnetic lock for egress
<b>LM</b>	<b>Latch Bolt Monitor (Mortise Lock)*</b> • Latch bolt monitoring is a SPDT switch which monitors the full extension of the main latch.
<b>SM</b>	<b>Security Monitoring (Mortise Lock)*</b> • The ACSI SM option monitors, in series, solenoid status (locked or unlocked) and latch status (deadlatch position).
<b>DM</b>	<b>Deadbolt Monitor (Mortise Lock)*</b> • Deadbolt monitoring is a SPDT switch which monitors the extension of the deadbolt.
<b>DPS</b>	<b>Door Position Sensor (Mortise Lock)*</b> • Door position monitoring is a SPDT magnetic sensor used to confirm door position. Magnetic sensors mounted in the mortise lock react to the proximity of a magnet mounted in the ASA strike. (Strike not included) • Consult Factory for Models Available
<b>MK-10</b>	<b>Authorized Egress Kit</b> • Field installable for Schlage L series mortise lock

Note: Leave #3 blank if no options are required.

\* Not available on cylindrical locks or unit locks.

**4. Locking**

Model	Description
1	Standard control locks outside (secure side) trim.
2	Locks both sides – Mortise locks only.

**5. Lock Part No.**

Distributors supply ACSI with mortise, cylindrical, or unit locks for modification. Please supply the lock manufacturer's part number.

Example: L9070, 8237, 8808, ND80, 3357, etc.

Note: Refer to the last page of this catalog section for a complete listing of locks required by ACSI.

**6. Operating Voltage**

Model	Description
24VDC	24VAC/DC
12VDC	12VAC/DC

Note: Mortise locks can be supplied with pneumatic control. Consult factory.

**ACCESSORIES**

Model	Description
1580-1	AC/DC Converter
1580-2	Voltage Regulator • Regulates source voltages up to 30 volts DC (35 volts AC) to a 24VDC output level. • Works with AC or DC source voltages • Can be used with 24VAC/DC rated cylindrical or mortise locks up to 360MA. • UL Listed

**ELECTRIC MORTISE LOCK BODIES**

ACSI Stocks Electric Mortise Lock Bodies available in Schlage, Corbin Russwin, Sargent, Yale, Best, Falcon, and Dorma. The locks are available in fail safe and fail secure, 24 volt or 12 volt and a variety of monitoring options.

Model	Description	Mortise Lock Body
M1510	L9070B 24VAC/DC	Schlage-Fail Safe
M1510	2055B 24VAC/DC	Corbin Russwin-Fail Safe
M1510	8237B 24VAC/DC	Sargent-Fail Safe
M1510	8808B 24VAC/DC	Yale-Fail Safe
M1510	45H75B 24VAC/DC	Best-Fail Safe
M1510	MA561B 24VAC/DC	Falcon-Fail Safe
M1510	ML9070B 24VAC/DC	Dorma-Fail Safe
M1520	L9070B 24VAC/DC	Schlage-Fail Secure
M1520	2055B 24VAC/DC	Corbin Russwin-Fail Secure
M1520	8237B 24VAC/DC	Sargent-Fail Secure
M1520	8808B 24VAC/DC	Yale-Fail Secure
M1520	45H75B 24VAC/DC	Best-Fail Secure
M1520	MA561B 24VAC/DC	Falcon-Fail Secure
M1520	ML9070B 24VAC/DC	Dorma-Fail Secure

**ELECTRIC CYLINDRICAL LOCKS**

ACSI Stocks Electric Cylindrical locks available in a Schlage, Sargent, Yale and Corbin Russwin. Authorized Egress (Request to Exit) and 12 volt options are available.

Model	Description	Cylindrical Lock
C1510	ND80B 24VAC/DC	Schlage-Fail Safe
C1520	ND80B 24VAC/DC	Schlage-Fail Secure

Note: Specify trim style, format and finish. Available in Rhodes, Sparta and Athens trim style. Finishes available in 626, 625 and 613.

C1510	10G04B 24VAC/DC LL	626	Sargent-Fail Safe
C1510	3357B 24VAC/DC NZD	626	Corbin Russwin-Fail Safe
C1510	5405LNB 24VAC/DC AU	626	Yale-Fail Safe
C1520	10G04B 24VAC/DC LL	626	Sargent-Fail Secure
C1520	3357B 24VAC/DC NZD	626	Corbin Russwin-Fail Secure
C1520	5405LNB 24VAC/DC AU	626	Yale-Fail Secure