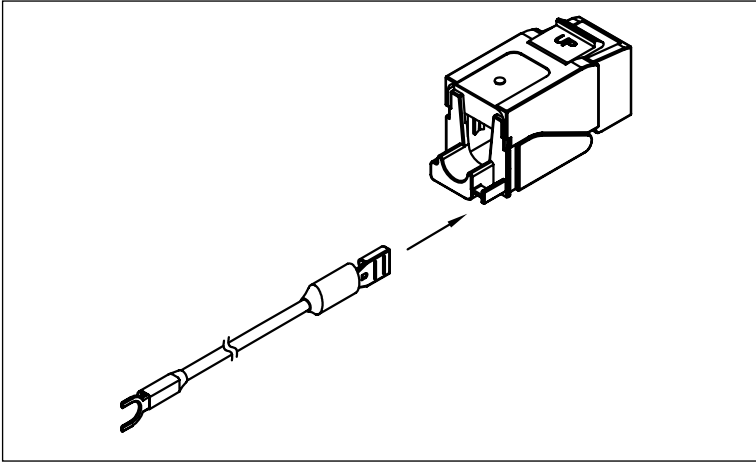


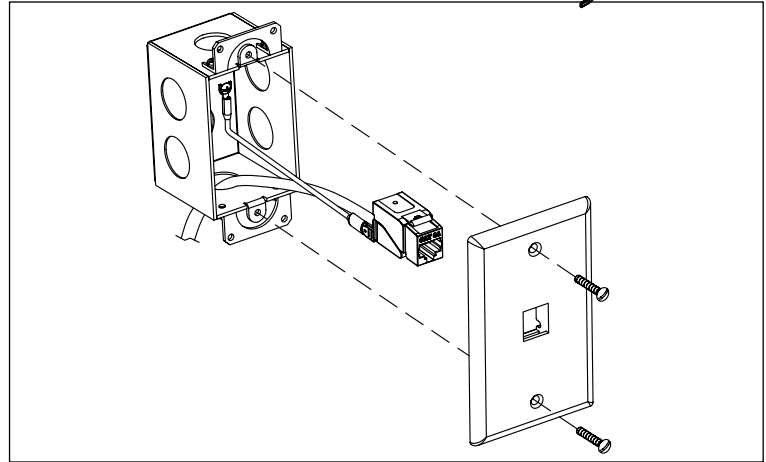


Grounding Wire

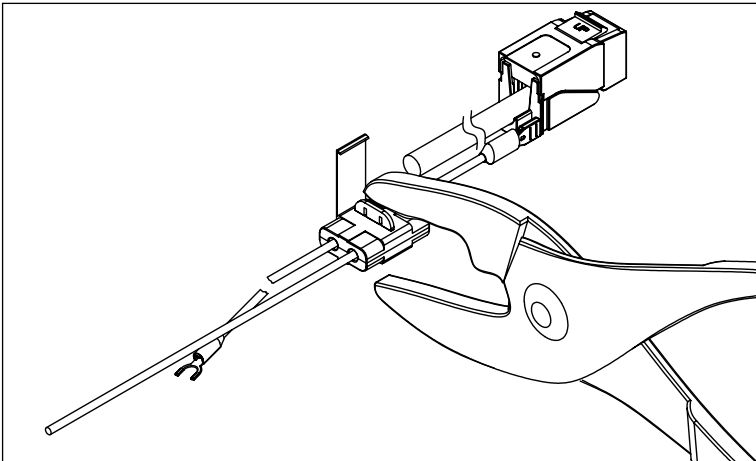
I N S T A L L A T I O N I N S T R U C T I O N S



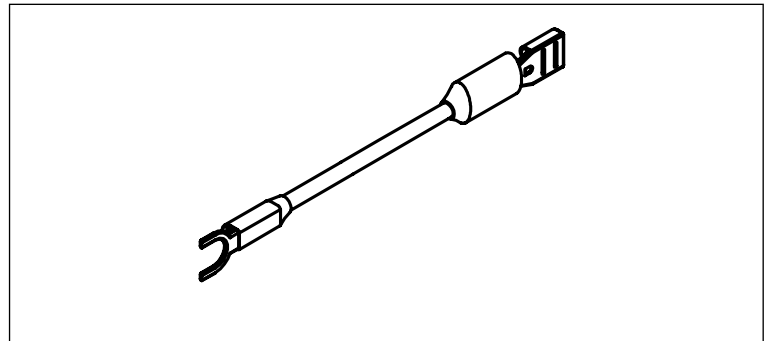
Step 1: Insert grounding wire onto grounding tab on the back of modular connector



Step 2a: Screw down fork terminal end of wire to metal electric box



Step 2b: Or use tap splice (not included) to connect to existing grounding wire



Item #	Description	AWG
ICACSGK6AS	Grounding Wire Extension	18 AWG

F E A T U R E S A N D B E N E F I T S

- Compatible with IC1078S6A0.
- Spade connector end allows grounding wire to be easily installed to an existing grounding point.
- 18 AWG withstands up to 600V, 105°C.