



273 Branchport Ave.
 Long Branch, NJ 07740
 (800) 631-2148
 www.wheelockinc.com

Thank you for using our products.

**SERIES MAX INDUSTRIAL STROBES
 INSTALLATION INSTRUCTIONS**

Use this product according to this instruction manual. Please keep this instruction manual for future reference.

GENERAL:

Wheelock's Series Max Strobes are UL 1638 Listed for indoor or outdoor use. They are high intensity visible warning appliances that are designed for use in either stationary locations or mobile equipment. All Series Max Strobes are weather-resistant. They produce a powerful double flash light burst at the rate of 60 double flashes per minute. Series Max Strobes can be installed using 1/2-inch pipe mount, surface mount or flange mount (an integral 1/2-inch pipe thread, a flange mounting ring and a weather-resistant gasket are included with each unit). They can also be mounted to standard 4-inch square electrical boxes, 100mm European boxes and Wheelock's WBB outdoor box. There are four models of Series Max Strobes: The AC-MAX and AC-MAXS Models for 120VAC applications and the DC-MAX and DC-MAXS Models for use with any DC voltage from 10.5VDC to 31.0VDC. The AC-MAX and DC-MAX are strobe only models while the AC-MAXS and DC-MAXS models offer a steady-light feature along with the strobe operation. All models are available with either clear, amber, red, or blue lens color.

NOTE: All **CAUTIONS** and **WARNINGS** are identified by the symbol . All warnings are printed in bold capital letters.

⚠ WARNING: READ THESE INSTRUCTIONS CAREFULLY. FAILURE TO COMPLY WITH ANY OF THE FOLLOWING INSTRUCTIONS, CAUTIONS AND WARNINGS COULD RESULT IN IMPROPER APPLICATION, INSTALLATION AND/OR OPERATION OF THESE PRODUCTS IN AN EMERGENCY SITUATION, WHICH COULD RESULT IN PROPERTY DAMAGE, SERIOUS INJURY OR DEATH TO YOU AND/OR OTHERS.

SPECIFICATIONS:

<i>Table 1A: Ratings per UL</i>						
<i>Model Code</i>	<i>Lens Color</i>	<i>Minimum Voltage</i>	<i>Rated Voltage</i>	<i>Maximum Voltage</i>	<i>Input Current</i>	<i>Flash Rate</i>
AC-MAX-A AC-MAXS-A	Amber	102 VAC	120 VAC	127 VAC	0.20A @ 120VAC	60/Min Typ.
AC-MAX-B AC-MAXS-B	Blue					
AC-MAX-C AC-MAXS-C	Clear					
AC-MAX-R AC-MAXS-R	Red					
DC-MAX-A DC-MAXS-A	Amber	10.5-31.0 VDC			1227mA @ 10.5VDC 1010mA @ 12VDC 470mA @ 24VDC 344mA @ 31VDC	60/Min Typ.
DC-MAX-B DC-MAXS-B	Blue					
DC-MAX-C DC-MAXS-C	Clear					
DC-MAX-R DC-MAXS-R	Red					

<i>Table 1B: Steady-light Specifications</i>		
<i>Model Code</i>	<i>Rated Voltage</i>	<i>Current mA</i>
AC-MAXS	120VAC	120mA
DC-MAXS	10.5-31.0VDC	665mA

NOTES:

1. Temperature range for all models is -31°F to +151°F (-35°C to +66°C)
2. Lens colors conform to SAE J578D specifications.
3. Flash energy and flash rate are specified for double flash operation.

Copyright 2002 Wheelock, Inc. All rights reserved.

MECHANICAL:

<i>Dimensions</i>		<i>Materials</i>
Overall Height	5"	Base - high strength, high temperature G.E. Lexan®
Diameter	6.2"	Lens - high strength, high temperature G.E. Lexan®
Weight	2lbs.	

WIRING:

NOTE: The Series MAX Strobe is not designed to operate on a synchronized circuit. All wiring must comply with the NEC and all local electrical codes.

AC-MAX and AC-MAXS MODELS

The AC Industrial Strobes are designed to operate on 120VAC. Two #18 AWG leads are provided on both models for electrical hook-up of the strobe circuit. Two #18 AWG leads are provided on the AC-MAXS model for electrical hook-up of the steady-lights. The AC power source should be suitably fused and #18 AWG minimum wire size is recommended.

When wiring the AC-MAXS models, the blue wires are for the steady light. The black wire and white wire are for the high intensity strobe.

DC-MAX and DC-MAXS MODELS

The DC Industrial Strobes are designed to operate from 10.5VDC to 31.0VDC. Two #18 AWG leads are provided on both models for electrical hook-up of the strobe circuit, red positive and black negative. The circuit is reverse polarity protected and will not operate if connected improperly. A 10 Amp fuse and #18 AWG minimum wire size is recommended. Inrush current draw at 12 volts is 5A max, 24 volts is 10A max, and 31 volts is 12A max. Two #18 AWG leads are provided on the DC-MAXS model for electrical hook-up of the steady-lights. The steady-light connection is not polarity sensitive.

MOUNTING INFORMATION:

NOTE: The Series MAX Strobes are not intended for use in wash down areas.

All mounting methods must comply with the NEC and all local electrical codes.

A. 1/2" PIPE MOUNT (See Figure A)

Use 1/2-inch NPT threaded conduit making sure there is an adequate length of wire to work with. Follow the wiring procedures outlined in the wiring section. Use appropriate wiring box or conduit for high voltage applications as required by electrical codes. Carefully thread strobe over conduit by hand until it is secure.

⚠ CAUTION: Over tightening may result in damage to base.

B. 4" or 100mm BACKBOX (tamper resistant installation) (See Figure B)

Remove the three screws securing the strobe lens to the base and remove the lens. Using a screwdriver and hammer, remove the appropriate plastic knockouts located in the strobe base. Use the mounting gasket supplied when mounting the strobe to a recessed backbox over a flat surface when a water-resistant seal is required. Feed the lead wires through the center hole of the mounting gasket and keep the gasket in place against the strobe base. If the strobe is to be mounted to a weather-resistant backbox use the gasket supplied with the backbox. Make the wiring connections as outlined in the wiring section. Neatly tuck the wiring connections into the backbox and position the strobe over the mounting surface. Use four #8-32 x 1" screws, (customer supplied) to fasten the strobe to the backbox for weather-resistant applications, otherwise two diagonally placed #8-32 x 1" screws, (customer supplied) will be adequate. Reassemble the strobe lens to the base taking care to ensure that the sealing gasket is properly seated and the screws are uniformly tightened.

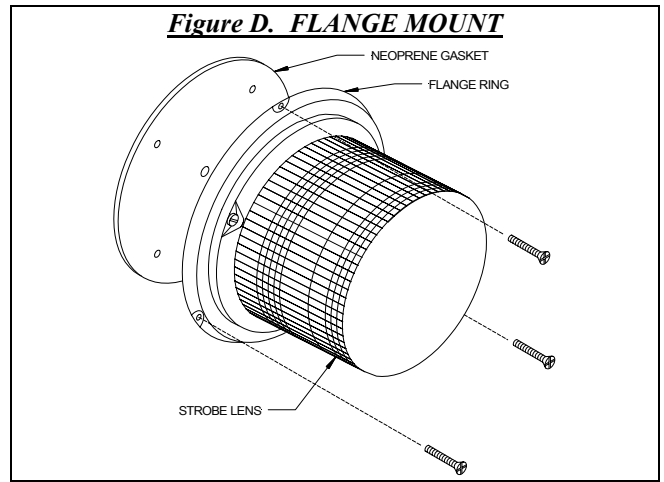
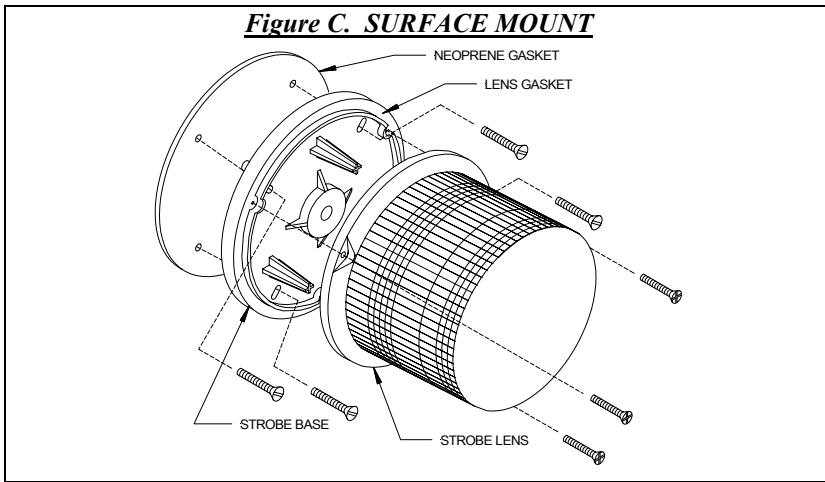
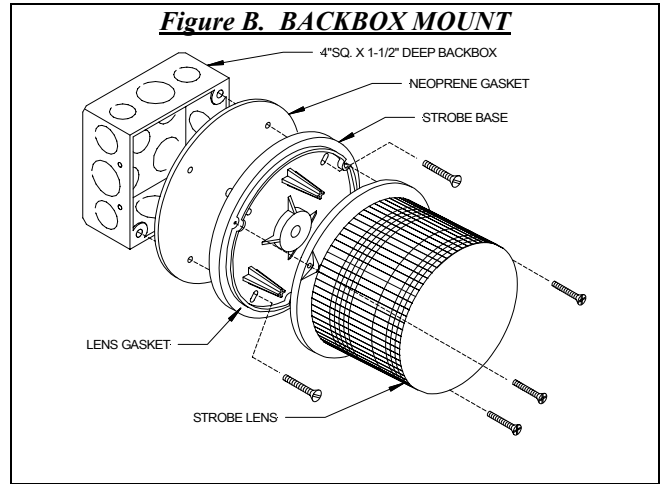
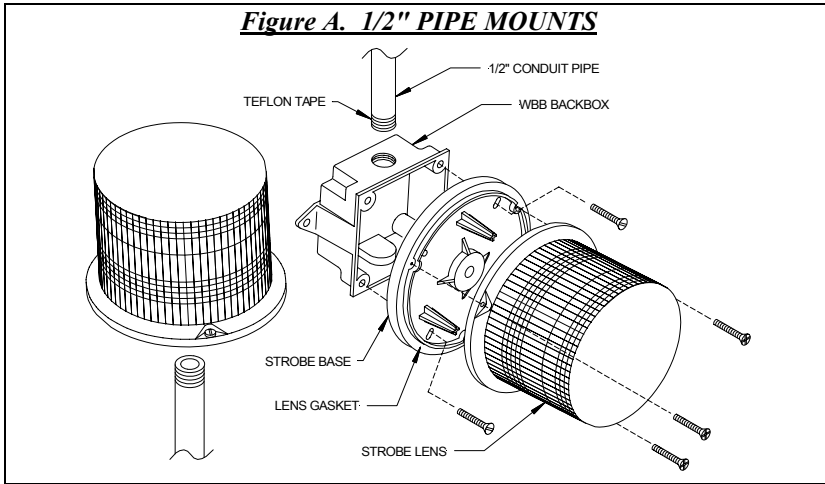
C. SURFACE MOUNT (See Figure C)

Remove the three screws securing the strobe lens to the base and remove the lens. Using a screwdriver and hammer, remove the appropriate plastic knockouts located in the strobe base. Using the mounting gasket as a template, mark the mounting surface for drilling. Drill one 3/8-inch wire access hole and either two or four appropriately sized mounting holes, as the application requires. Remove all burrs from the wire access hole to prevent damage to the wires. Use the mounting gasket supplied when mounting the strobe to a flat surface where a weather-resistant seal is required. For weather-resistant applications it is recommended to use four mounting screws (customer supplied), otherwise two diagonally placed screws, (customer supplied) will be adequate. Place the gasket on the mounting surface and feed the lead wires through the center hole while positioning the strobe. Make the electrical connections as outlined in the wiring section. Use appropriate wiring box for high voltage applications as required by electrical codes. Fasten the strobe base to the mounting surface using the appropriate hardware. Reassemble the strobe lens to base taking care to ensure that the sealing gasket is properly seated and the screws are uniformly tightened.

D. FLANGE MOUNT (See Figure D)

Position the strobe on the mounting surface with the lead wires exiting straight out from the center. Place the mounting flange over the strobe and mark the locations of the three flange mounting screws. Drill three 1/4-inch pilot holes. Drill a 3/8-inch wire access hole in the center of the mounting hole pattern. Remove all burrs from the wire access hole to prevent damage to the wires. For weather-resistant applications place the mounting gasket over the mounting surface. Feed the lead wires through the access hole and mount the strobe using the mounting ring and the supplied hardware. Make the wiring connections as outlined in the wiring section. Use appropriate wiring box for high voltage applications as required by electrical codes.

MOUNTING OPTIONS:



NOTE: For Pipe mounting, either mounting option in Figure A is recommended.

MAINTENANCE:

TROUBLE SHOOTING

If the strobe fails to operate make sure the correct voltage is being supplied to the strobe leads. If the unit still fails to operate call Wheelock Customer Service/Tech Support at (800) 631-2148.

NOTE: No field repairs other than lens and steady-light replacements are recommended. Steady-light lamps are 7C7 type for the AC-MAXS and 2470X type for the DC-MAXS.

Steady light lamps for the Series AC-MAXS and Series DC-MAXS are warranted only for 6 months and require replacements as part of routine maintenance. Replacements lamps can be purchased through an electronics parts distributor.

ORDERING OPTIONS:

Lenses may be ordered separately under the following order codes.

<i>Table 2.</i>	
<i>Component</i>	<i>Order Code</i>
Clear Lens	MAX - C
Amber Lens	MAX - A
Red Lens	MAX - R
Blue Lens	MAX - B

⚠ WARNING: THE MAX INDUSTRIAL STROBES ARE NOT TO BE USED AS AN INDOOR VISUAL EVACUATION APPLIANCE FOR THE HEARING IMPAIRED.

⚠ WARNING: A SMALL POSSIBILITY EXISTS THAT THE USE OF MULTIPLE STROBES WITHIN A PERSON'S FIELD OF VIEW, UNDER CERTAIN CIRCUMSTANCES, MIGHT INDUCE A PHOTO-SENSITIVE RESPONSE IN PERSONS WITH EPILEPSY. STROBE REFLECTIONS IN A GLASS OR MIRRORED SURFACE MIGHT ALSO INDUCE SUCH A RESPONSE. TO MINIMIZE THIS POSSIBLE HAZARD, WHEELOCK STRONGLY RECOMMENDS THAT THE STROBES INSTALLED SHOULD NOT PRESENT A COMPOSITE FLASH RATE IN THE FIELD OF VIEW WHICH EXCEEDS FIVE (5) Hz AT THE OPERATING VOLTAGE OF THE STROBES. WHEELOCK ALSO STRONGLY RECOMMENDS THAT THE INTENSITY AND COMPOSITE FLASH RATE OF INSTALLED STROBES COMPLY WITH LEVELS ESTABLISHED BY APPLICABLE LAWS, STANDARDS, REGULATIONS, CODES AND GUIDELINES.

ANY MATERIAL EXTRAPOLATED FROM THIS DOCUMENT OR FROM WHEELOCK MANUALS OR OTHER DOCUMENTS DESCRIBING THE PRODUCT FOR USE IN PROMOTIONAL OR ADVERTISING CLAIMS, OR FOR ANY OTHER USE, INCLUDING DESCRIPTION OF THE PRODUCT'S APPLICATION, OPERATION, INSTALLATION AND TESTING IS USED AT THE SOLE RISK OF THE USER AND WHEELOCK WILL NOT HAVE ANY LIABILITY FOR SUCH USE.

IMPORTANT: READ SEPARATE "GENERAL INFORMATION" SHEET FOR INFORMATION ON THE PLACEMENT, LIMITATIONS, INSTALLATION, FINAL CHECKOUT, AND PERIODIC TESTING OF NOTIFICATION APPLIANCES.

Limited Warranty

Wheelock products must be used within their published specifications and must be PROPERLY specified, applied, installed, operated, maintained and operationally tested in accordance with these instructions at the time of installation and at least twice a year or more often and in accordance with local, state and federal codes, regulations and laws. Specification, application, installation, operation, maintenance and testing must be performed by qualified personnel for proper operation in accordance with all of the latest National Fire Protection Association (NFPA), Underwriters' Laboratories (UL), Underwriters' Laboratories of Canada (ULC), National Electrical Code (NEC), Occupational Safety and Health Administration (OSHA), local, state, county, province, district, federal and other applicable building and fire standards, guidelines, regulations, laws and codes including, but not limited to, all appendices and amendments and the requirements of the local authority having jurisdiction (AHJ). Wheelock products when properly specified, applied, installed, operated, maintained and operationally tested as provided above are warranted against mechanical and electrical defects for a period of three years from date of manufacture (as determined by date code). Correction of defects by repair or replacement shall be at Wheelock's sole discretion and shall constitute fulfillment of all obligations under this warranty. THE FOREGOING LIMITED WARRANTY SHALL IMMEDIATELY TERMINATE IN THE EVENT ANY PART NOT FURNISHED BY WHEELOCK IS INSTALLED IN THE PRODUCT. THE FOREGOING LIMITED WARRANTY SPECIFICALLY EXCLUDES ANY SOFTWARE REQUIRED FOR THE OPERATION OF OR INCLUDED IN A PRODUCT. WHEELOCK MAKES NO REPRESENTATION OR WARRANTY OF ANY OTHER KIND, EXPRESS, IMPLIED OR STATUTORY WHETHER AS TO MERCHANTABILITY, FITNESS FOR A PARTICULAR PURPOSE OR ANY OTHER MATTER.

USERS ARE SOLELY RESPONSIBLE FOR DETERMINING WHETHER A PRODUCT IS SUITABLE FOR THE USER'S PURPOSES, OR WHETHER IT WILL ACHIEVE THE USER'S INTENDED RESULTS. THERE IS NO WARRANTY AGAINST DAMAGE RESULTING FROM MISAPPLICATION, IMPROPER SPECIFICATION, ABUSE, ACCIDENT OR OTHER OPERATING CONDITIONS BEYOND WHEELOCK'S CONTROL.

SOME WHEELOCK PRODUCTS CONTAIN SOFTWARE. WITH RESPECT TO THOSE PRODUCTS, WHEELOCK DOES NOT WARRANT THAT THE OPERATION OF THE SOFTWARE WILL BE UNINTERRUPTED OR ERROR-FREE OR THAT THE SOFTWARE WILL MEET ANY OTHER STANDARD OF PERFORMANCE, OR THAT THE FUNCTIONS OR PERFORMANCE OF THE SOFTWARE WILL MEET THE USER'S REQUIREMENTS. WHEELOCK SHALL NOT BE LIABLE FOR ANY DELAYS, BREAKDOWNS, INTERRUPTIONS, LOSS, DESTRUCTION, ALTERATION, OR OTHER PROBLEMS IN THE USE OF A PRODUCT ARISING OUT OF OR CAUSED BY THE SOFTWARE.

THE LIABILITY OF WHEELOCK ARISING OUT OF THE SUPPLYING OF A PRODUCT, OR ITS USE, WHETHER ON WARRANTIES, NEGLIGENCE, OR OTHERWISE, SHALL NOT IN ANY CASE EXCEED THE COST OF CORRECTING DEFECTS AS STATED IN THE LIMITED WARRANTY AND UPON EXPIRATION OF THE WARRANTY PERIOD ALL SUCH LIABILITY SHALL TERMINATE. WHEELOCK IS NOT LIABLE FOR LABOR COSTS INCURRED IN REMOVAL, REINSTALLATION OR REPAIR OF THE PRODUCT BY ANYONE OTHER THAN WHEELOCK OR FOR DAMAGE OF ANY TYPE WHATSOEVER, INCLUDING BUT NOT LIMITED TO, LOSS OF PROFIT OR INCIDENTAL OR CONSEQUENTIAL DAMAGES. THE FOREGOING SHALL CONSTITUTE THE SOLE REMEDY OF THE PURCHASER AND THE EXCLUSIVE LIABILITY OF WHEELOCK.

IN NO CASE WILL WHEELOCK'S LIABILITY EXCEED THE PURCHASE PRICE PAID FOR A PRODUCT.

Limitation of Liability

WHEELOCK'S LIABILITY ON ANY CLAIM OF ANY KIND, INCLUDING NEGLIGENCE AND BREACH OF WARRANTY, FOR ANY LOSS OR DAMAGE RESULTING FROM, ARISING OUT OF, OR CONNECTED WITH THIS CONTRACT, OR FROM THE MANUFACTURE, SALE, DELIVERY, RESALE, REPAIR OR USE OF ANY PRODUCT COVERED BY THIS ORDER SHALL BE LIMITED TO THE PRICE APPLICABLE TO THE PRODUCT OR PART THEREOF WHICH GIVES RISE TO THE CLAIM. WHEELOCK'S LIABILITY ON ANY CLAIM OF ANY KIND SHALL CEASE IMMEDIATELY UPON THE INSTALLATION IN THE PRODUCT OF ANY PART NOT FURNISHED BY WHEELOCK. IN NO EVENT SHALL WHEELOCK BE LIABLE FOR ANY CLAIM OF ANY KIND UNLESS IT IS PROVEN THAT OUR PRODUCT WAS A DIRECT CAUSE OF SUCH CLAIM. FURTHER, IN NO EVENT, INCLUDING IN THE CASE OF A CLAIM OF NEGLIGENCE, SHALL WHEELOCK BE LIABLE FOR INCIDENTAL OR CONSEQUENTIAL DAMAGES. SOME STATES DO NOT ALLOW THE EXCLUSION OR LIMITATION OF INCIDENTAL OR CONSEQUENTIAL DAMAGES, SO THE PRECEDING LIMITATION MAY NOT APPLY TO ALL PURCHASERS.