



In or Out... we make it Easy!®



9BOLL

6-1/4"W x 41-1/2"H x 4-1/4"D

Features & Benefits

- Constructed with durable carbon steel and will mount RCI's 4-3/4" square and 4-1/2" round push plate lines
- Can be mounted on either existing concrete or newly poured concrete
- Available in silver, bronze and black
- Stainless steel mounting bracket and hardware included
- UV-resistant ABS plastic top cap allowing for wireless transmitter installation
- 3 year warranty

Applications

- Handicap Areas
- Vandal-Prone Areas
- Vestibules
- Storefront
- Commercial
- Industrial
- Health Care

Bollard

The Bollard is used for mounting pushplates that activate automatic doors.

It will accept RCI's 4 1/2" Square Pushplate, 4 3/4" Square Pushplate, Dual Vestibule Pushplate and 4 1/2" Round Pushplate. The post is made of durable carbon steel and the mounting bracket is made of stainless steel for strength. It can be mounted on either existing concrete or newly poured concrete.

Options

- 4-1/2" Square Pushplate (946 series)
- 4-3/4" Square Pushplate (946 series)
- Dual Vestibule Pushplate (947 series)
- 4-1/2" Round Pushplate (950 series)

Technical Specs

- Post Material: Powder Coated Carbon Steel (Inside and Out)
- Cap Material: UV-resistant ABS Plastic
- Mounting Bracket: Stainless Steel
- Mounting Hardware: Screws, Expansion Anchors, Washers and Nuts (Included)
- Weight: 35 lbs.

Finishes

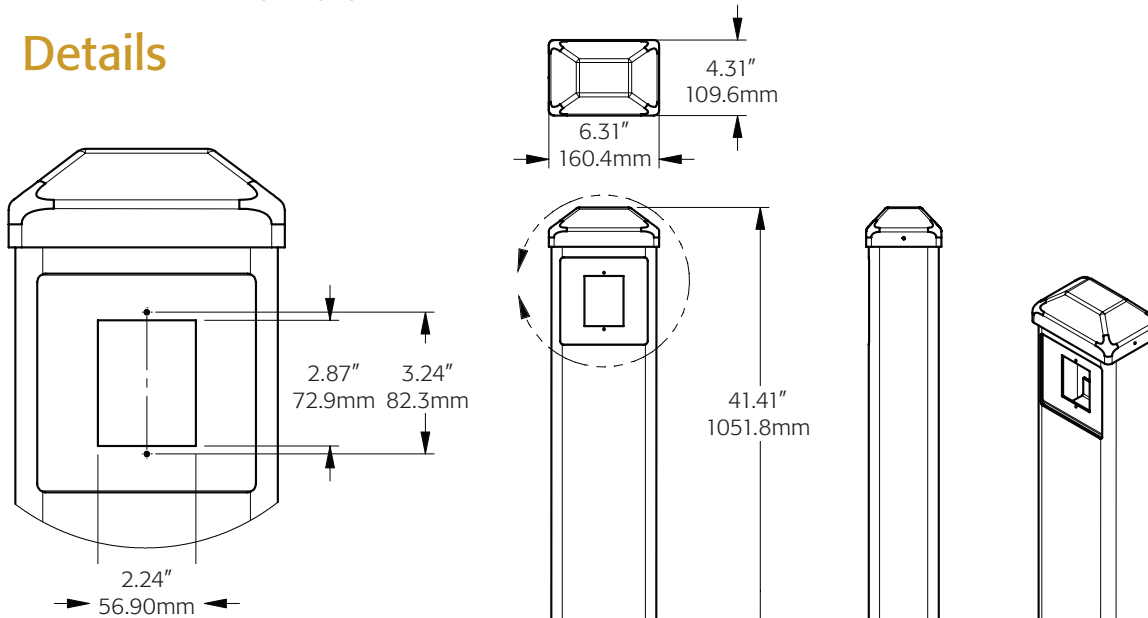
9BOLLBPC	Black
9BOLLSPC	Silver
9BOLLBPC	Bronze



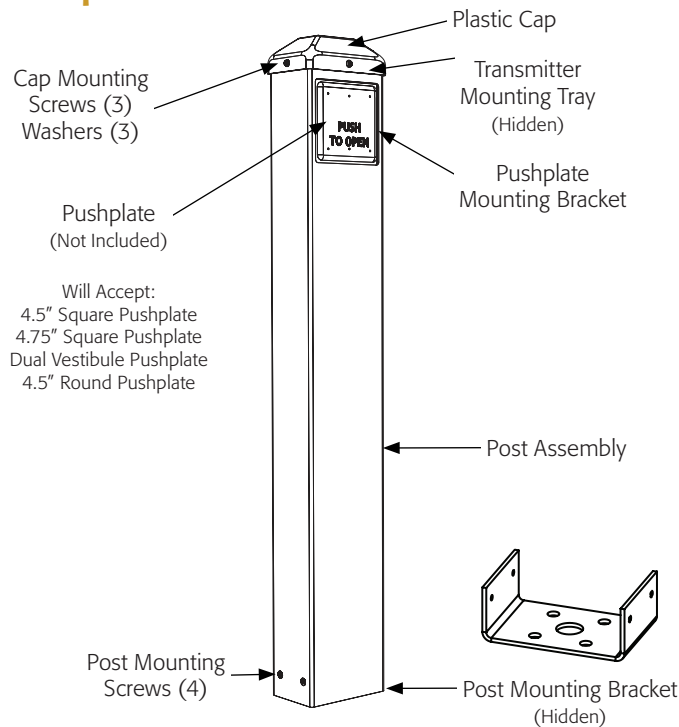
RUTHERFORD CONTROLS
A DORMA Group Company

In or Out... we make it Easy!®

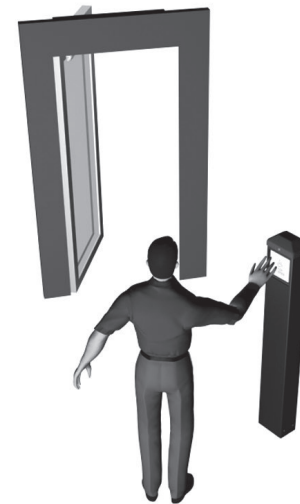
Details



Components



Example Application



Low Energy Doors

RCI also offers a complete line of Electromagnetic Locks, Electric Strikes, Power Supplies, Switches, Keypads & Readers, Exit Devices, Systems & Door Hardware.