

Electromagnetic Gate Locks

E-942FC-600

600-lb Holding Force, Face Mount

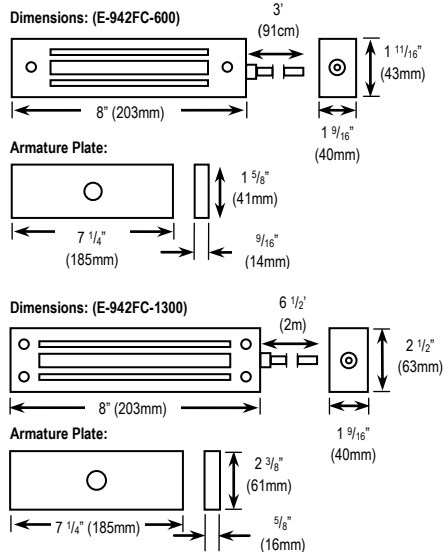
E-942FC-1300

1,200-lb Holding Force, Face Mount

Features:

- Face mounting
- For indoor & outdoor applications
- For sliding or swinging gates
- Water resistant and vandal resistant
- Maintenance-free, factory-sealed design
- Dual-threaded conduit fitting
- Attractive stainless-steel housing
- 6 1/2 ft (2m) Hookup cord (E-942FC-1300)
- 3 ft (91cm) Hookup cord (E-942FC-600)
- Dual voltage: 12/24 VDC Operation
- No residual magnetism
- MOV Surge protection
- Complete mounting hardware included
- "L" and "Z" brackets available

Dimensions:



E-942FC-600



E-942FC-1300





Specifications:

Model	E-942FC-600	E-942FC-1300
Holding force	600-lb (272kg)	1,200-lb (544kg)
Operating voltage	12VDC or 24VDC	
Current draw	12VDC	500mA
	24VDC	250mA
Operating temperature	14°~131°F (-10°~55°C)	
Dimensions	Housing	8"x1 11/16"x1 9/16" (203x43x40 mm)
	Armature	7 1/4"x1 5/8"x9/16" (185x41x14 mm)
Weight (Approx.)	6.00-lb (2.7kg)	11.00-lb (5.0kg)

Optional SECO-LARM®

Electromagnetic Lock Accessories:

		
Description	Z Brackets	L Brackets
E-942FC-600	E-942F-600/Z	E-942F-600/L
E-942FC-1300	E-942F-1300/ZQ	E-942F-1300/L

SECO-LARM® U.S.A., Inc.

16842 Millikan Avenue, Irvine, CA 92606

Phone: (949) 261-2999 | (800) 662-0800 Fax: (949) 261-7326

Website: www.seco-larm.com Email: sales@seco-larm.com



Copyright 2014 © SECO-LARM U.S.A., Inc. All rights reserved.

The SECO-LARM policy is one of continual development. For that reason, SECO-LARM reserves the right to change prices and specifications without notice. SECO-LARM is not responsible for misprints.

SECO-LARM® ENFORCER® CRIMEBUSTER® CBA SLI®