

CM-9280/CM-9380

VANDAL RESISTANT PIEZO SWITCHES

FEATURES

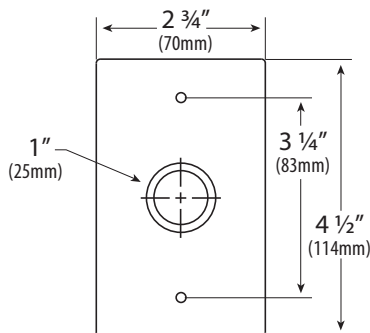
- TESTED TO 50 MILLION CYCLES
- ALL METAL CONSTRUCTION
- ALUMINUM BUTTONS
- NON-MOVING, ONE-PIECE DESIGN FOR LONG LIFE AND TO GUARD AGAINST VANDALISM
- SOLID STATE OUTPUT, N/O, 200MA. @ 40VDC (EXTERNAL RELAY TYPICALLY REQUIRED FOR CONNECTION TO ELECTRIC LOCKING DEVICES).
- HEAVY DUTY STAINLESS STEEL FACEPLATES
- AVAILABLE IN JAMB WIDTH AND SINGLE GANG WIDTH
- INDOOR/OUTDOOR APPLICATIONS
- AVAILABLE WITH RED OR GREEN BUTTONS
- LIFETIME WARRANTY



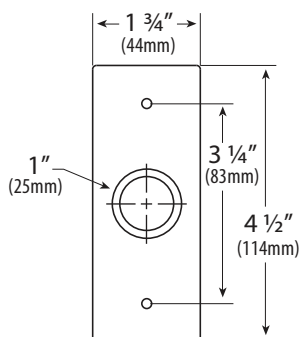
CM-9280



CM-9380



CM-9280



CM-9380

DESCRIPTION

CAMDEN DOOR CONTROLS CM-9280/CM-9380 Series Vandal Resistant Switches are heavy duty push buttons which feature a patented one-piece, non-moving design, virtually impervious to attack or compromise. Buttons are 1" (25 mm) diameter in either red or green. A stainless steel faceplate and security screws accompany every switch. Options include having EXIT or a wheelchair logo silk screened on the faceplate.

APPLICATION

CM-9280 and CM-9380 Series switches may be connected directly to 'low load' devices such as automatic door operators, power supply switch inputs or access control system. Not recommended for direct connection to 'high load' devices such as electric strikes and magnetic locks. For these applications, an external relay or timer is required.

ARCHITECTS / ENGINEERS SPECIFICATIONS

All push button switches to be used throughout the site/complex shall be vandal resistant. Switches shall incorporate a non-moving, one-piece design. Switches shall be manufactured out of aluminum. Faceplates shall be heavy duty 14 AWG stainless steel and secured using Torx or Snake eye security screws. The button shall be easy to activate with a diameter no less than 1". The switch assembly shall be designed to be jamb mounted or single gang box mounted.

VANDAL RESISTANT PIEZO SWITCHES



SPECIFICATIONS

MECHANICAL

OPERATING TEMP - 40F TO +180F
- 40C TO + 82C

WEATHERPROOF RATING IP68

SINGLE GANG DIMENSIONS 4 1/2"H X 2 3/4"W X 7/8"D
(114 MM H X 70 MM W X 22 MM D)

NARROW JAMB DIMENSIONS 4 1/2"H X 1 3/4"W X 7/8"D
(114 MM H X 44 MM W X 22 MM D)

ELECTRICAL

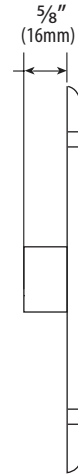
VOLTAGE RATING 0 - 40V DC

CURRENT RATING 200 MA TYPICAL
400 MA MAXIMUM

CONTACT CLOSURE 1/4 SECOND

RESISTANCE 'ON': LESS THAN 50 OHMS
'OFF': GREATER THAN 5 MEG OHMS

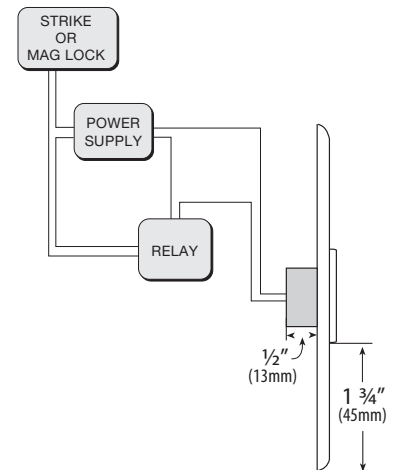
SWITCH LIFE GREATER THAN 20 MILLION OPERATIONS



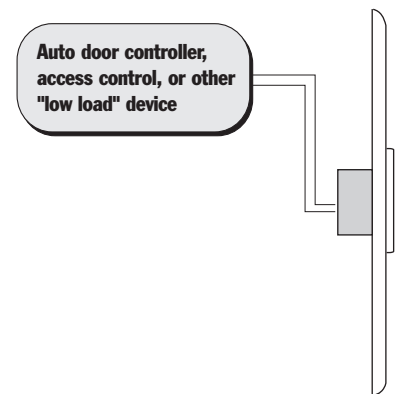
CM-9280/9380/9480/9580

To "High Load" Locking Device

Connect one wire from your power supply to the switch. The other wire connects to one side of the relay coil then to the switch.



To "Low Load" Device or System



ORDERING INFORMATION

MODEL	DESCRIPTION
	SINGLE GANG FACEPLATE - 2 3/4" (70 MM)
CM-9280R	RED PUSH BUTTON SWITCH, 1" (25 MM) BUTTON, MOMENTARY, N/O
CM-9280G	GREEN PUSH BUTTON SWITCH, 1" (25 MM) BUTTON, MOMENTARY, N/O
	JAMB WIDTH FACEPLATE - 1 3/4" (44 MM)
CM-9380R	RED PUSH BUTTON SWITCH, 1" (25 MM) BUTTON, MOMENTARY, N/O.
CM-9380G	GREEN PUSH BUTTON SWITCH, 1" (25 MM) BUTTON, MOMENTARY, N/O.

OPTIONS:

ADD E TO PRODUCT # FOR EXIT SCREENED ON FACEPLATE

ADD H TO PRODUCT # FOR WHEELCHAIR LOGO SILK SCREENED ON FACEPLATE