

**Description**

Talk-A-Phone's 86354 Power Supply (24VDC 1A) works with Talk-A-Phone's VOIP-500 Series Emergency Phones, WEBS-CM-2 Communications Module, WEBS-PA-1 Indoor Area Paging Unit and ETP-EL12/24 LED Blue Light.

**Features**

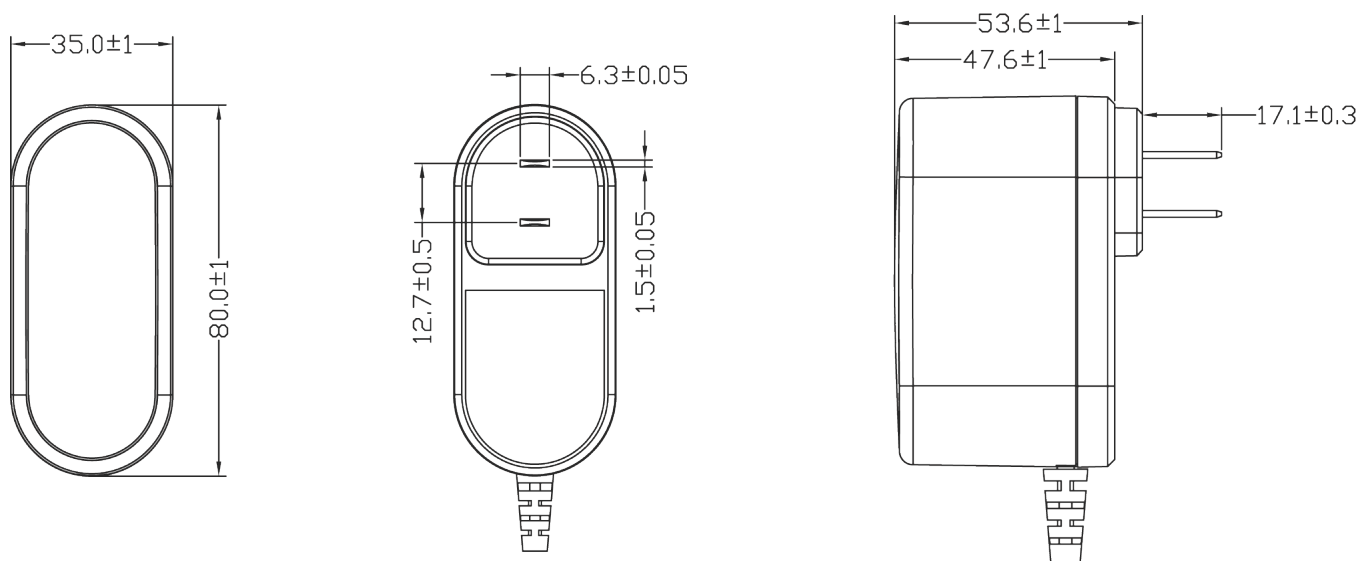
- Short circuit protection
- Over voltage protection
- UL-listed, efficiency level V power supply



**Specifications**

Dimensions (W x D x H):	2.1 x 3.1 x 1.4 in. (54 x 80 x 35 mm)
Power Input:	0.8A, 100-240VAC, 50-60Hz
Power Output:	1.0A, 24VDC
Operating Temperature:	32° F to 104° F (0° C to 40° C)
Storage Temperature:	14° F to 158° F (10° C to 70° C)
Relative Humidity:	20-80% non-condensing
Safety Approval:	UL/cUL (UL60950-1)
EMI Standard:	FCC class B, CE
RoHS Compliant:	Yes

**Dimensional Diagram**



All dimensions are in inches and are provided for reference only.