

STI SMOKE DETECTOR DAMAGE STOPPER®



STI-8100



STI-8200-W



STI-8230-SS

PRODUCT OVERVIEW

Stainless Steel

This heavy-duty, 1.2 mm stainless steel cover features a natural resistance to corrosion making it an excellent choice for applications where food is present as well as water treatment plants and correctional facilities. Available for flush mount (STI-8200-SS) or with a conduit spacer for surface mount (STI-8230-SS, shown) applications. Easy to install, it helps assure the smoke detector will remain operational where vandalism and accidental damage are causing false fire alarms or high maintenance costs.

Coated Cold-Rolled Steel

Here is a protective cover for persons who prefer the strength and durability of steel but need not be concerned with the presence of food in the area. Fabricated from 1.5 mm cold rolled steel, it has a white corrosion-resistant polyester coating. As the stainless steel cover, it is available for flush mount (STI-8200-W) or with a spacer for surface mount (STI-8230-W) applications. Surface models include tamper-resistant fasteners for added protection against vandalism. Tamperproof fasteners are available for flush models.

Polycarbonate

Two models available: STI-8100 for flush mount and STI-8130 with a spacer for surface mount. They are offered in clear, black or white polycarbonate.

KEY FEATURES

General Information

- Covers protect against severe vandalism and accidental damage.
- Helps assure smoke detectors will be operational when needed.
- Three year guarantee against breakage in normal use.

Design

- Aesthetically pleasing.

Construction

- Exceptional durability.
- UL Listed to U.S. and Canadian safety standards for use with specific smoke detectors. See reverse for details.

Installation

- Easy installation and easy removal for servicing detectors.

Options

- Choice of stainless steel, coated cold rolled steel or polycarbonate.
- Available conduit spacers allow them to be easily mounted over surface mount detectors with or without conduit.



For more information, call 1-800-888-4784 (4STI) or visit www.sti-usa.com



**Safety Technology
International, Inc.**

STI Smoke Detector Damage Stopper®

Dimensions and Technical Information

MODELS AVAILABLE

Polycarbonate

- STI-8100** Clear, flush mount Damage Stopper with mounting hardware
- STI-8100-BK** Black, flush mount Damage Stopper with mounting hardware
- STI-8100-W** White, flush mount Damage Stopper with mounting hardware
- STI-8130** Surface mount Damage Stopper, STI-8100, STI-8101 conduit spacer and mounting hardware

Stainless Steel (1.2 mm)

- STI-8200-SS** Smoke Detector Damage Stopper - flush mount - stainless steel
- STI-8230-SS** Smoke Detector Damage Stopper with conduit spacer - surface mount - stainless steel

Cold Rolled Steel coated white (1.5 mm)

- STI-8200-W** Smoke Detector Damage Stopper - flush mount - white coated steel
- STI-8230-W** Smoke Detector Damage Stopper with conduit spacer - surface mount - white coated steel

Accessories:

- STI-8101** Polycarbonate stackable 2" conduit spacer for use with STI-8100 (included with STI-8130)
- STI-8170** Mounting backplate for flush and surface mount models. Recommended for irregular and unstable mounting surfaces such as drop ceilings and beams
- STI-8201-SS** Stainless steel spacer for conduit applications
- STI-8201-W** Cold rolled steel spacer for conduit applications
- SUB-81** Tamper resistant screws, #8 X 2 " snake eye (quantity 4) for use with STI-8100
- SUB-82** Tamper proof stainless steel screws for flush mounted covers
- 19038** Tamper bit for SUB-81 and SUB-82

APPROVALS & WARRANTY

TESTING

STI-8100 models are UL Listed (No. S3504) for use with no sensitivity adjustment with the following smoke detectors:

Sentrol Smoke Detector Models 611UD, 612UD, 721UD and 731UD, System Sensor 2251, 2251T, 2251B, 2251TB, 2251TM, 2251TMB, 2251BR, 2551, 2551T, FTX-P1 Smoke Detectors, FCI Model ASD-PL, ASD-P, ASD-PH, ASD-PTL, ASD-FILTREX, ASD-FILTREXF, MCS-ACCLIMATE, ASD-PL2, ASD-PL2F, ASD-PTL2, ASD-PTL2F, MCD-ACCLIMATE2, MCS-ACCLIMATE2F, ASD-PL2FR, Secutron Model MRI-2251, Honeywell Model TC806B1001, Mircom Model MIX-2251, Intelligent Systems Model ISL 2251, Siemens detector head models PE-11, HFP-11, HFPO-11, SPF-11, SPFO-11 to be used with detector base model DB-11, and EST Model 2251F, all under 300 fpm.

STI-8130 models are UL Listed (No. S3504) for use with no sensitivity adjustment with the following smoke detectors:

Sentrol Smoke Detector Models 611UD, 612UD, 721UD and 731UD, under 300 fpm.

STI-8200 models are UL Listed (No. S3504) for use with no sensitivity adjustment with the following smoke detectors:

System Sensor 2251, 2251T, 2251B, 2251TB, 2251TM, 2251TMB, 2251BR, 2551, 2551T Smoke Detectors, FCI Model ASD-PL, ASD-P, ASD-PH, ASD-PTL, ASD-FILTREX, ASD-FILTREXF, MCS-ACCLIMATE, ASD-PL2, ASD-PL2F, ASD-PTL2, ASD-PTL2F, MCD-ACCLIMATE2, MCS-ACCLIMATE2F, ASD-PL2FR, Secutron Model MRI-2251, EST Model 2251F, Mircom Model MIX-2251, Intelligent Systems Model ISL 2251, and Honeywell Model TC806B1001.

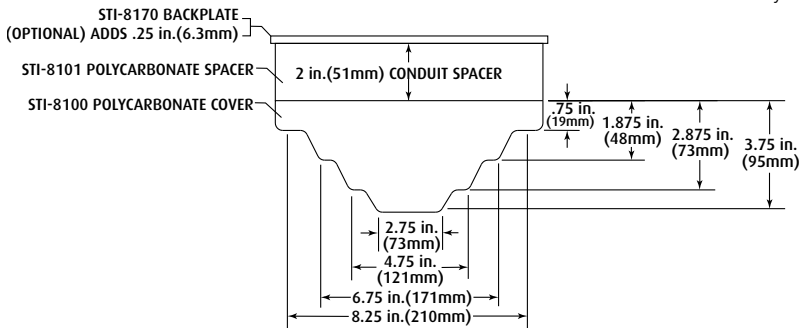
STI-8230 (cover and spacer) models are UL Listed (No. S3504) for use with no sensitivity adjustment with the following smoke detectors:

System Sensor Model 2251, 2251T, 2251B, 2251TB, 2251TM, 2251TMB, 2251BR, 2551, 2551T, FCI Model ASD-PL, ASD-P, ASD-PH, ASD-PTL, ASD-FILTREX, ASD-FILTREXF, MCS-ACCLIMATE, ASD-PL2, ASD-PL2F, ASD-PTL2, ASD-PTL2F, MCD-ACCLIMATE2, MCS-ACCLIMATE2F, ASD-PL2FR, Secutron Model MRI-2251, EST Model 2251F, Mircom Model MIX-2251, Intelligent Systems Model ISL 2251, or Honeywell Model TC806B1001.

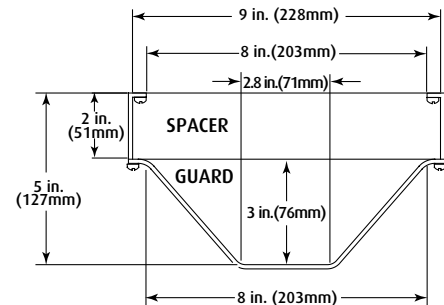
NOTE: STI-8100 series covers are to be used at your own risk if mounted over a non UL Listed product.

WARRANTY

Three year guarantee against breakage in normal use.



**STI-8100 AND STI-8130
PRODUCT DIMENSIONS**



**STI-8200 AND STI-8230
PRODUCT DIMENSIONS**



**Safety Technology
International, Inc.**

2306 Airport Road
Waterford, Michigan
48327, USA

Tel: 248-673-9898
Fax: 248-673-1246
Toll-free: 800-888-4784
info@sti-usa.com
www.sti-usa.com

Unit 49G Pipers Road
Park Farm Industrial Estate
Redditch, Worcestershire
B98 0HU England

Tel: 44 (0) 1527 520 999
Fax: 44 (0) 1527 501 999
www.sti-europe.com