

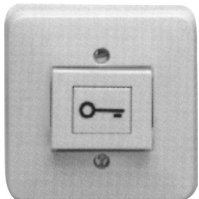
CM-810, CM-820, CM-830, CM-840, CM-850 REMOTE DOOR RELEASE SWITCHES



CM-810



CM-830



CM-850

FEATURES

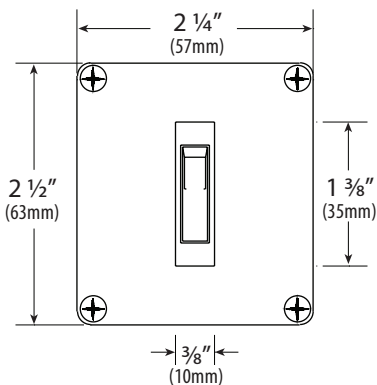
- EASILY MOUNTS UNDER COUNTERS OR DESKS
- SPST MAINTAINED OR SPDT MOMENTARY VERSIONS
- CM-810/830: 20 AMPS
- CM-850: 10 AMPS
- CAST ALUMINUM, OR LOW PROFILE PLASTIC CASES AVAILABLE

DESCRIPTION

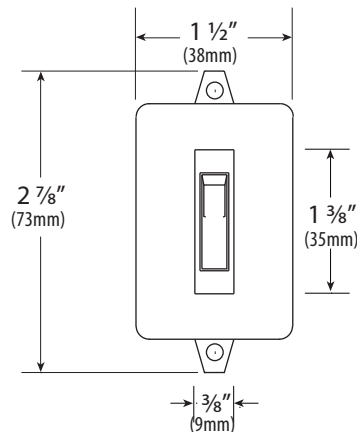
CAMDEN DOOR CONTROLS CM-800 Series remote door release switches are surface mount switches available in either a weather resistant aluminum box or low profile plastic cases, with a panel mount rocker switch. The rocker switches are either SPST maintained or SPDT momentary.

APPLICATION

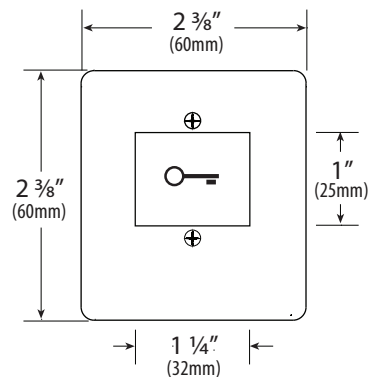
CAMDEN DOOR CONTROLS CM-800 series of remote door release switches are designed for releasing maglocks or door strikes. They are ideal for under desk mounting in reception areas.



CM-810



CM-830



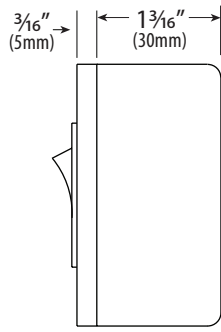
CM-850

REMOTE DOOR RELEASE SWITCHES

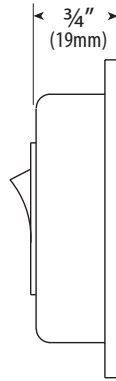


ORDERING INFORMATION

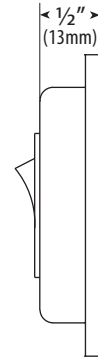
MODEL	DESCRIPTION
CM-810	SPDT, MOMENTARY, BRUSHED ALUMINUM FINISH
CM-820	SPST, MAINTAINED, BRUSHED ALUMINUM FINISH
CM-830	SPDT, MOMENTARY, MATTE BLACK PLASTIC CASE
CM-840	SPST, MAINTAINED, MATTE BLACK PLASTIC CASE
CM-850	SPDT, MOMENTARY, BEIGE PLASTIC CASE WITH KEY LOGO



CM-810



CM-830



CM-850