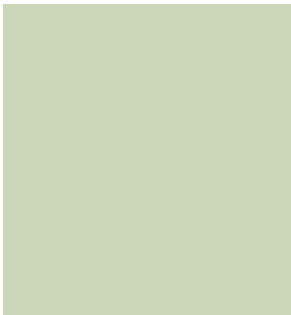


Architectural Door Accessories

ASSA ABLOY

The global leader in
door opening solutions



Pemko Sliding and Folding Hardware Catalog

Sliding & Folding Hardware

Sliding & Folding Hardware allows space previously required for swing clearance to now be better utilized for decor or to give a more open feel.

ASSA ABLOY is the North American distributor for sliding and folding door hardware manufactured by P.C. Henderson. Exclusive solutions kits are offered with all the components needed to complete a project, except for the actual door. The warranty on P.C. Henderson products is 2 years.

The Pemko product line includes additional solutions kits including the Pemko Pocket Frame Kit, Side Wall Track System, Bypass Track System H180, SHS80, SIM150 and Pemko Stainless Steel Sliding Track Hardware. The warranty on the Pemko products is 5 years.

Select your solution kit based on the door weight, size, mounting (overhead or side wall), sliding or folding, and any special characteristics of the particular opening such as the need for a low profile system. Sliding Hardware Kits are offered for doors weighing 180 lbs, up to 1100 lbs. Folding Kits are offered for doors weighing up to 275 lbs each.

Sliding & Folding Hardware Cross Reference Chart

	Pemko Products	HAGER	GRANT - HETTICH	JOHNSON	HAFELE
Four Panel Folding Door	HF4/100/_ , HF4/100A/_	9570, 9100	1500, 1600	100FD, 111FD, 1700	HAWA FOLDING
Sliding Panel, up to 200 lbs	H200A_	C-103-4 & C-104	6013, 6023, 6053, 71-034, 71-111, 7-034, 7-138, 71-222, 1210, 5150	2800	HAWA JUNIOR
Bypass Track	HBP200A/_	9602, 9603	6034, 6064, 72-034, 72-118, 72-222, 72-134, 72-138, 6065, 73-134, 73-138, 73-034	1166, 1138, 2200, 100SD, 111SD	N/A
Side Wall Track	280_-SWTKIT/_	N/A	N/A	2610	N/A
Sliding Panel, up to 180 lbs	H180A/_	N/A	N/A	N/A	HAWA MEDIA
Pocket Frame Kit	PF28200A_	9628, 9629, 9630, 9631	N/A	100-111, 1560, 2711	HAWA JUNIOR POCKET FRAME KIT
Sliding Hardware Pack	H200PACK	9814, 9540, 9575	6013, 6330, 6360, 7000, 1202	1166, 1138, 2200, 10311	407.14.903, 407.65.035, 940.40.012, 942.17.012

Sales & Support

Customer Service Representatives are available from 7am to 7pm Central time at 1-800-824-3018 or visit the website for the current catalogs, sell sheets, installation instructions and templates.

Need a Sales Rep?

The Pemko Product Line is largely represented by the ASSA ABLOY Door Security Solutions team (except N CA, N NV). Contact your local ASSA ABLOY Door Security Solution Representative via e-mail by going to www.assaabloydss.com and clicking on "Sales Support" or call 1-800-DSS-EZ4U (800-377-3948).

For representation information in Northern California or Northern Nevada, please visit www.pemko.com to locate and view the sales contact for your area or call Customer Service at 1-800-824-3018.

Website: www.pemko.com

Facebook: www.facebook.com/pemkomfg

Twitter: <http://twitter.com/#!/PemkoMfg>

ASSA ABLOY

The global leader in
door opening solutions

800-346-7707 | www.pemko.com
Check the web site for the up-to-date catalog

Copyright © 2017, Pemko Manufacturing Co., an ASSA ABLOY Group company. All rights reserved.
Reproduction in whole or in part without the express written permission of Pemko Manufacturing Co. is prohibited.



CONTENTS:

H180A Series	4
SHS80 Series	5
Sliding 200 Series	6
Side Wall Track System	7
Bypass Track Series	8
SIM200A Series	9
LP200 Series	10
Sirocco Series	11
H300S-OH Series	12
H300S-SW Series	13
H440A-OH Series	14
H440A-SW Series	15
H600S-OH Series	16
H600S-SW Series	17
H800S-OH Series	18
H800S-SW Series	19
H1100A-OH Series	20
H1100A-SW Series	21
Husky Sliding Glass Series	22
Pocket Frame Kit	23
Folding 100 Series	24
Pacer Interior End Fold Series	25
Flexirol Interior End Fold Series	26
Sliding Track Hardware System for Wood Doors	27-31
Sliding Track Hardware System for Glass Doors	32-36
SIM150- 2 Door	37
SIM150- 3 Door.....	38
Options & Accessories	39

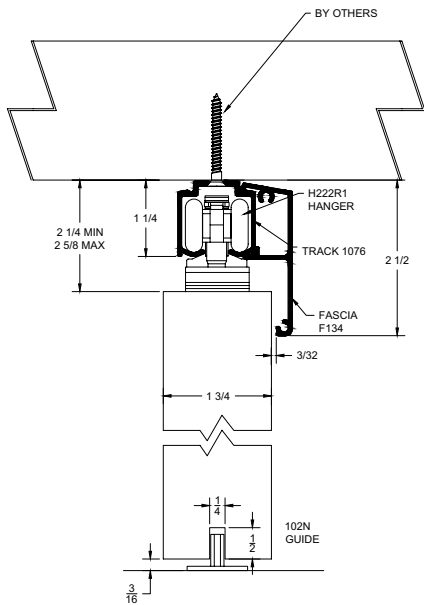
INDEX:

PRODUCT	PAGE	PRODUCT	PAGE	PRODUCT	PAGE	PRODUCT	PAGE
12.....	32	1AX/290.....	13	57K/N	12-13	H440A-OH.....	14
22.....	34	1AX/301.....	8, 19	600A.....	14-15, 25	H440A-SW.....	15
32.....	33	1B.....	21	601H.....	5, 9, 22, 39	H600S-OH.....	16
42.....	35	1BX.....	21	601P.....	14-15	H600S-SW.....	17
52.....	36	21/550/P.....	26	8-12/SN	22	H800S-OH.....	18
62.....	27	21B/P.....	25	89/2N.....	12-21	H800S-SW.....	19
72.....	28	21B0/4.....	25	94A.....	4-10, 12-21, 24-31, 39	HBP200A.....	8
82.....	29	21N/94.....	25	971A.....	4-6, 9-10, 12, 14, 16, 18, 20, 24-26, 39	HF2/100.....	24
92.....	30	21R/94.....	26	BAR.....	27-36	HF2/100PACK.....	39
111.....	31	280_-SWF.....	7	BRACKET2	27-36	HF4/100.....	24
280.....	5-10, 22-23, 5, 6	280_-SWT.....	7	DELLH/DELRH.....	11	HH3/290.....	12-13
281.....	5-6, 8-10, 22, 24, 39	2802.....	8, 37	EPD3	4-6, 8-9, 27-31, 37-38	HH3/301.....	16-21
283.....	24	2802BT.....	8, 39	F1F4/275A.....	26	K1077_-SWEP.....	4, 6
290.....	12-13	2803.....	38	F134.....	4-7, 9-10, 37-39	K134EP.....	5-6, 9, 39
301.....	16-19	280_SWTKIT.....	7	F160C.....	14	K134DEP.....	5, 9
2812.....	8, 39	282HD.....	24	F160ECP.....	14	K28_-SWEP.....	7
102N.....	4-10, 12-19, 27-31, 39	284D.....	22	F200C.....	15	LH100.....	10
102WA.....	4-7, 9, 13, 15, 17, 19, 39	287HD.....	4, 6, 8, 39	F200ECP.....	15	LP200A.....	10
102WN.....	4-7, 9, 13, 15, 17, 19	289B.....	24	F234.....	58, 39	PF134 KIT.....	23
106HF/94.....	24	289T.....	24	G60 to G100.....	32-36	PF28200A.....	23
106N/94.....	39	3A/290.....	12	GLASSGUIDE.....	32-36	PFAS.....	23
106R/94.....	4-10, 12-21, 27-31, 39	3A/301.....	16, 18	FIF2/275A.....	26	PFAS100.....	23
1075C.....	4	3AX/290.....	12	F160PACK.....	6-8, 39	PFAS88.....	23
1076.....	4	403/2.....	25, 26	H1100A-OH.....	20	PFBG-4.....	23, 39
1A/290.....	13	550A.....	20-21, 26	H1100A-SW.....	21	PFBG-8.....	23, 39
1A/290/EC.....	12-13	556/21.....	26	H180A.....	4	PFBS.....	23, 39
1A/301.....	17, 19	556/57.....	20-21	H200.....	6	PFCDKIT.....	23
1A/301/EC.....	16-19	57A/N.....	18-19	H222R1.....	4-9	PFFC-8.....	23
1A/550.....	21	57A/S.....	16-17	H300S-OH.....	12	PFHB-1.....	23
		57B.....	14-15	H300S-SW.....	13		

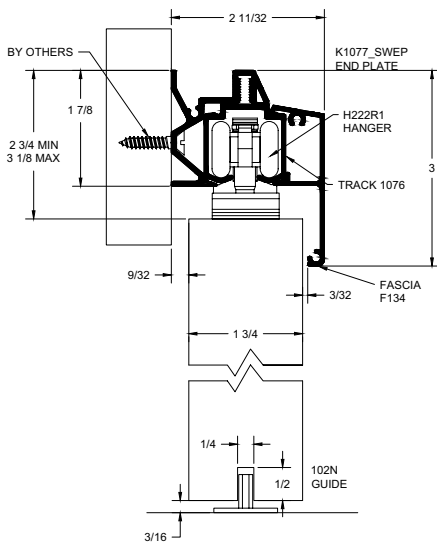
H180A Series

For Sliding Panels up to 180 lbs.

Overhead Mount



Side Wall Mount



Configurations:

- Single
- Bi-parting

Installations:

- Overhead Mount
- Side Wall Mount

Features:

- Hanger body is made of nickel plated zinc alloy for durability and long life
- Zinc alloy ball bearing wheels coated in nylon for smooth operation
- 180 lb. panel capacity
- Optional side wall bracket reduces the amount of wall space needed to mount the track
- 5 year warranty

H180A Kits Include:

- 1 ea **1076C** Clear Anodized Aluminum Track
- 2 ea **H222R1** - Nickel Plated Zinc Alloy Body Zinc Alloy Wheels Coated in Nylon
- 2 ea **287HD** Rubber Bumper In-Track Stop
- 1 ea **102N** White Nylon Mortise Guide

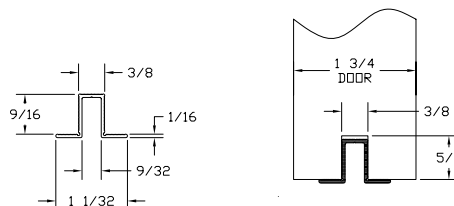
Standard Kit Sizes

Part Number	Material	Track Length	Door Width
H180A/6	Aluminum	72"	36"
H180A/8	Aluminum	96"	48"
H180A/10	Aluminum	120"	60"
H180A/12	Aluminum	144"	72"

Options: See page 39

- Fascia **F134C** clear anodized aluminum fascia
- F134D** dark bronze anodized fascia
- Side Wall Track Bracket **1075C** clear anodized aluminum bracket- order same length as track
- 1075D** dark bronze aluminum bracket
- Track **1076D** dark bronze anodized track
- End Plate Kit **K1077C-SWEP** (use with F134C fascia and 1075C side wall bracket only)
- K1077D-SWEP** (use with F134D fascia and 1075D side wall bracket only)
- Bottom Channel **94A**
- Roller Guide **106R/94**
- Threshold **971A**
- Side Wall Mount Mortise Guides **102WN** (nylon) and **102WA** (steel)
- Polypropylene Guide Rail **EPD3BL** for use with 102N or 102WN

Alternate Route for EPD3BL



ASSA ABLOY

The global leader in door opening solutions

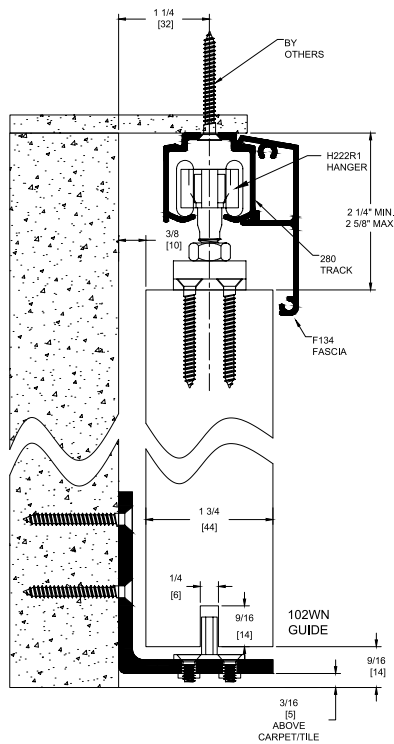
800-346-7707 | www.pemko.com
Check the web site for the up-to-date catalog

Copyright © 2017, Pemko Manufacturing Co., an ASSA ABLOY Group company. All rights reserved. Reproduction in whole or in part without the express written permission of Pemko Manufacturing Co. is prohibited.

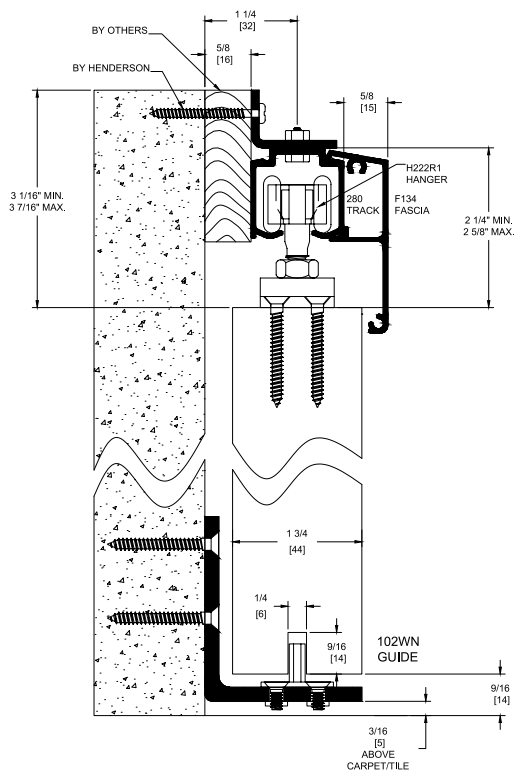
SHS80 Series

For Sliding Panels up to 180 lbs.

Overhead Mount



Side Wall Mount



Configurations:

- Single
- Bi-parting

Installations:

- Overhead Mount
- Side Wall Mount

Features:

- Hanger body is made of nickel plated zinc alloy for durability and long life
- Zinc alloy ball bearing wheels coated in nylon for smooth operation
- 180 lb. panel capacity
- 5 year warranty

SHS80 Kits Include:

- 1 ea **280C** Clear Anodized Aluminum Track
- 2 ea **H222R1** - Nickel Plated Zinc Alloy Body
- 2 ea **601H** Nylon In-Track Clip Stop
- 1 ea **102WN** White Nylon Mortise Guide on Zinc Plated Steel "L" Metal

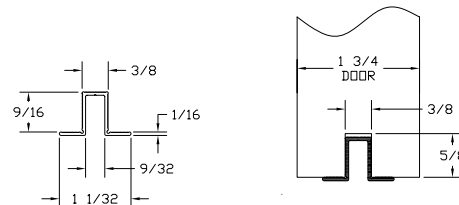
Standard Kit Sizes

Part Number	Material	Track Length	Door Width
SHS80/6	Aluminum	72"	36"
SHS80/8	Aluminum	96"	48"

Options: See page 39

- Fascia **F134C** clear anodized aluminum fascia
- F134D** dark bronze anodized fascia
- Side Wall Track Brackets **281** available as 5 pack only, 2815
- Track **280D** dark bronze anodized track
- End Plate Kit **K134EP** (use with F134C and 280C only)
- K134DEP** (use with F134D and 280D only)
- Bottom Channel **94A**
- Roller Guide **106R/94**
- Threshold **971A**
- Side Wall Mount Mortise Guides **102WA**
- Mortise Floor Guide **102N**
- Polypropylene Guide Rail **EPD3BL** for use with 102N or 102WN

Alternate Route for EPD3BL



800-346-7707 | www.pemko.com

Check the web site for the up-to-date catalog

Copyright © 2017, Pemko Manufacturing Co., an ASSA ABLOY Group company. All rights reserved. Reproduction in whole or in part without the express written permission of Pemko Manufacturing Co. is prohibited.

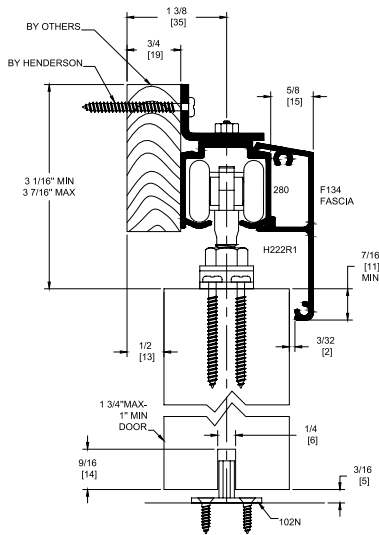
ASSA ABLOY

The global leader in door opening solutions

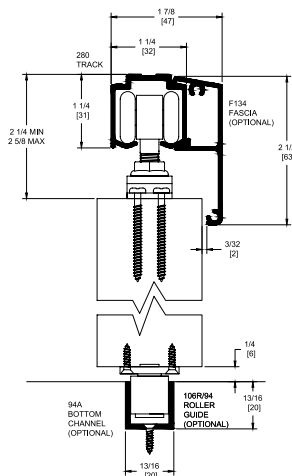
Sliding 200 Series

For Sliding Panels up to 200 lbs.
Manufactured by P.C. Henderson

280C Side Wall Mounted



280C Soffit Mounted with Fascia



Configurations:

- Single
- Bi-parting

Installations:

- Overhead Mount
- Side Wall Mount
- Face/Face Fixed Mount with Fascia

Features:

- Hanger body is made of nickel plated zinc alloy for durability and long life
- Zinc alloy ball bearing wheels coated in nylon for smooth operation
- 200 lb. panel capacity
- Galvanized steel track 280
- Clear anodized aluminum track 280C
- 2 year warranty

H200A Kits Include:

- 1 ea **280C** Clear Anodized Aluminum Track
- 2 ea **H222R1** Hangers
- 1 ea **102N** Nylon Guide
- 2 ea **TELS-14KIT** Stops
- 1 ea Adjusting Wrench and Mounting Hardware

H200 Kits Include:

- 1 ea **280** Steel Track
- 2 ea **H222R1** Hangers
- 1 ea **102N** Nylon Guide
- 2 ea **TELS-14KIT** Stops
- 1 ea Adjusting Wrench and Mounting Hardware

Standard Kit Sizes

Part Number	Material	Track Length	Door Width
H200A/4	Aluminum	48"	24"
H200A/5-4	Aluminum	64"	32"
H200A/6	Aluminum	72"	36"
H200A/7	Aluminum	84"	42"
H200A/8	Aluminum	96"	48"
H200A/10	Aluminum	120"	60"
H200A/12	Aluminum	144"	72"
H200/6	Steel	72"	36"
H200/8	Steel	96"	48"

Options: See page 39

Hardware Kit
Mounting Bracket

Track Stop (bumper)
Bottom Channel
Fascia, Snap-On

Track
Roller Guide
Side Wall Mortise Guide
Threshold
End Plate

Polypropylene Guide Rail

H200PACK

281 available as 5 pack only, **2815**
NOTE: Need one at each end and no more than 3 feet in between.

Fasteners included

287HD

94A

F134C in clear anodized (**280C** only)
F134D dark bronze anodized fascia

280D dark bronze anodized

106R/94

102WA (steel) and **102WN** (nylon)

971A

K134EP (use with F134C and 280C only) **K134DEP** (use with F134D and 280D only)

EPD3BL for use with 102N or 102WN

ASSA ABLOY

The global leader in
door opening solutions

Side Wall Track (SWT) System

For Sliding Panels up to 200 lbs.

The Pemko Side Wall Track System has a unique mounting bracket that is extruded with the track. An innovative wall mounted bottom guide assembly allows carpet to be replaced without removing the door.



Configurations:

- Single
- Bi-parting

Features:

- Unique mounting bracket extruded into track
- Supports up to 200 lbs. per door
- Quick, easy attachment
- No additional shims needed
- New construction or retrofit
- 5 year warranty

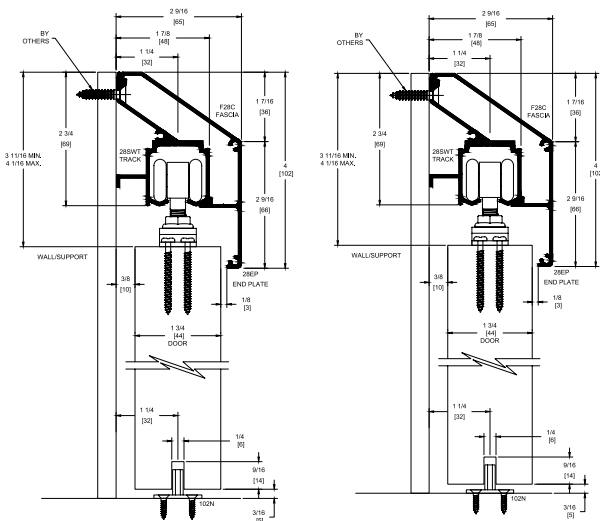
280SWT Kits Include:

- 1ea **280_SWT** Aluminum Track
- 1ea **280_-SWF** Aluminum Fascia
- 1ea **K28_-SWEP** Pair of End Plates
- 2ea **H222R1** Hangers
- 2ea **TELS-14KIT** In Track Stops
- 1ea **102N** White Nylon Mortise Guide
- 1ea **102WA** Wall Mounted Mortise Guide
- 1ea Adjusting Wrench

Standard Kit Sizes

Part Number	Track Length	Door Width
(Mill Finished Track/Clear Anodized Fascia/End Plates)		
280C-SWTKIT/5	60"	30"
280C-SWTKIT/6	72"	36"
280C-SWTKIT/8	96"	48"
280C-SWTKIT/12*	144"	2 @ 36"
(Dark Bronze Anodized Track/Fascia/End Plates)		
280D-SWTKIT/5	60"	30"
280D-SWTKIT/6	72"	36"
280D-SWTKIT/8	96"	48"
280D-SWTKIT/12*	144"	2 @ 36"

SWT Kit Side Wall Mounted



*NOTE: 280_-SWTKIT/12 comes with enough hardware for two doors.

Options: See page 39

- Hardware Kit (one door) **H200PACK**
- Roller Guide **106R/94**
- Bottom Channel **94A**
- Nylon Mortise Guide **102WN**

AVAILABLE FINISHES FOR PRODUCTS SHOWN ON THIS PAGE (see General Information section for finish chart)

A (Mill Finish Aluminum) C (Anodized Aluminum) D (Dark Bronze Anodized)

800-346-7707 | www.pemko.com

Check the web site for the up-to-date catalog

Copyright © 2017, Pemko Manufacturing Co., an ASSA ABLOY Group company. All rights reserved.
Reproduction in whole or in part without the express written permission of Pemko Manufacturing Co. is prohibited.

ASSA ABLOY

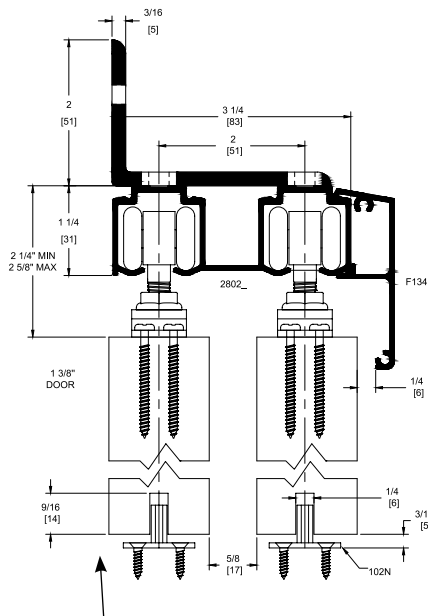
The global leader in
door opening solutions

Bypass Track Series

For Bypass Panels up to 200 lbs.

1 3/8" Thick Doors

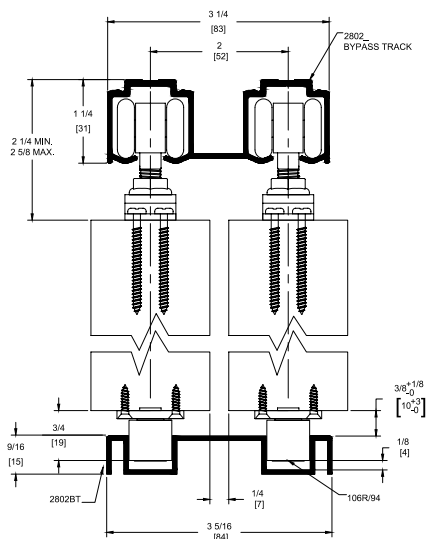
Doors Side Wall Mount



NOTE: Route door 9/16" deep by 1/4" wide to receive 102N Guide.

1 3/4" Thick Doors

Overhead Mount



* Side Wall mounting: use one (1) 2812 Kit per 3 ft. of track.

Configurations:

- For Bypass Doors

Features:

- Fits 1 3/8" and 1 3/4" doors
- Hanger body is made of nickel plated zinc alloy for durability and long life
- Zinc alloy ball bearing wheels coated in nylon for smooth operation
- 200 lb. panel capacity
- Load capacity 200 lbs. per door panel (2 hangers)
- Extruded aluminum track
- 5 year warranty

HBP200A Kits Include:

- 1 ea **2802C** Clear Anodized Aluminum Track
- 4 ea **H222R1** Hangers
- 2 ea **102N** White Nylon Mortise Guide
- 4 ea **TELS-14KIT** In Track Stops
- 1 ea Adjusting Wrench and Mounting Hardware

Standard Kit Sizes		
Part Number	Track Length	Door Width
HBP200A/4	48"	2 @ 24"
HBP200A/ 5-4	64"	2 @ 32"
HBP200A/6	72"	2 @ 36"
HBP200A/7	84"	2 @ 42"
HBP200A/8	96"	2 @ 48"
HBP200A/10	120"	2 @ 60"
HBP200A/12	144"	2 @ 72"

Options: See page 39

- Hardware Kit **H200PACK**
- Mounting Bracket **2812**
- Track **2802D** dark bronze anodized track
- Track Stop (bumper) **287HD**
- Bottom Channel **94A**
- Fascia, Snap-On **F134C** clear anodized aluminum fascia. **F134D** dark bronze anodized aluminum fascia
- Roller Guide **106R/94**
- Dual Guide Channel **2802BT**
- Polypropylene Guide Rail **EPD3BL** for use with 102N

AVAILABLE FINISHES FOR PRODUCTS SHOWN ON THIS PAGE (see General Information section for finish chart)
 A (Mill Finish Aluminum) C (Clear Anodized)

ASSA ABLOY

The global leader in door opening solutions

800-346-7707 | www.pemko.com
 Check the web site for the up-to-date catalog

Copyright © 2017, Pemko Manufacturing Co., an ASSA ABLOY Group company. All rights reserved.
 Reproduction in whole or in part without the express written permission of Pemko Manufacturing Co. is prohibited.

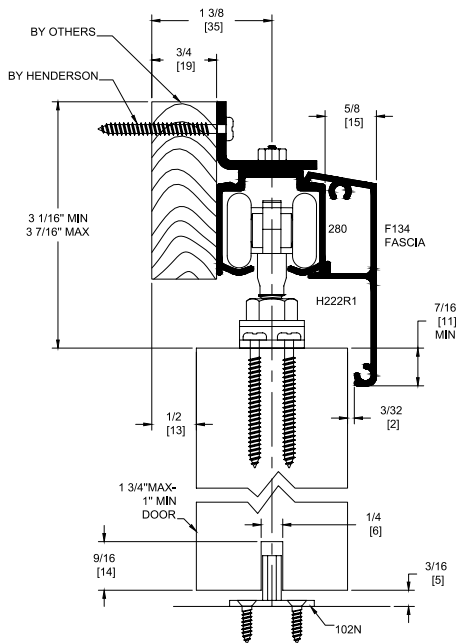
SIM200A Series

For Sliding Doors up to 48" wide and 200 lbs.

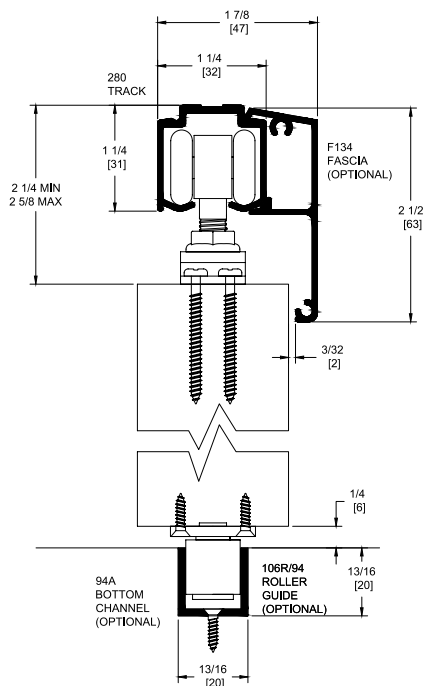
Manufactured by P.C. Henderson

HENDERSON

Side Wall Mount



Overhead Mount



Simultaneous Action Unit (SIM) allows the simultaneous operation of two doors.

Configurations:

- Bi-parting

Installations:

- Overhead Mount
- Side Wall Mount

Features:

- Allows individual bi-part doors to act as a single operating unit. When one door is opened or closed, the second door operates simultaneously
- 200 lb. panel capacity
- Hanger body is made of nickel plated zinc alloy for durability and long life
- Zinc alloy ball bearing wheels coated in nylon for smooth operation
- Clear anodized aluminum track 280C
- 2 year warranty

SIM200A Kits Include:

- 1 ea **280C** Clear Anodized Aluminum Track
- 4 ea **H222R1** Hangers
- 4 ea **601H** Nylon In-Track Clip Stop
- 2 ea **102N** White Nylon Mortise Guide
- 1 ea **SIM100** Cable and Pulley Kit

Standard Kit Sizes

Part Number	Material	Track Length	Door Width
SIM200A/6	Aluminum	72"	2 @ 18"
SIM200A/8	Aluminum	96"	2 @ 24"
SIM200A/12	Aluminum	2 @ 72"	2 @ 36"
SIM200A/16	Aluminum	2 @ 96"	2 @ 48"

Options: See page 39

- Fascia
 - F134C** clear anodized aluminum fascia
 - F134D** dark bronze anodized fascia
 - 280D** dark bronze anodized
- Side Wall Track Brackets
 - 281** available as 5 pack only, **2815**
 - NOTE: Need one at each end and no more than 3 feet in between. Fasteners included.
- End Plates
 - K134EP** (use with F134C only)
 - K134DEP** (use with F134D only)
- Bottom Channel
 - 94A**
- Roller Guide
 - 106R/94**
- Threshold
 - 971A**
- Side Wall Mortise Guides
 - 102WN** (nylon) and **102WA** (steel)
- Polypropylene Guide Rail
 - EPD3BL** for use with 102N or 102WN

800-346-7707 | www.pemko.com

Check the web site for the up-to-date catalog

Copyright © 2017, Pemko Manufacturing Co., an ASSA ABLOY Group company. All rights reserved. Reproduction in whole or in part without the express written permission of Pemko Manufacturing Co. is prohibited.

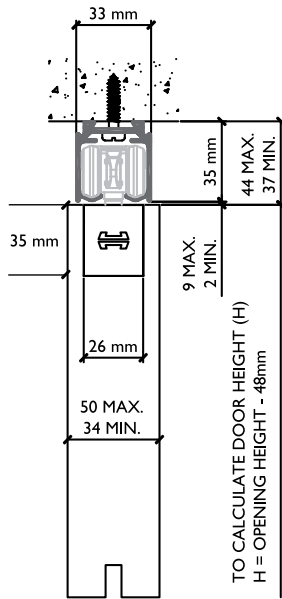
ASSA ABLOY

The global leader in door opening solutions

LP200 Series

For Sliding Panels up to 200 lbs.
Manufactured by P.C. Henderson

HENDERSON



Low profile design for use where space is limited.

Configurations:

- Single
- Bi-parting

Installations:

- Overhead Mount
- Side Wall Mount

Features:

- Used to maximize door height
- Designed to give a modern clean finish with all parts concealed. Ideal for applications where minimal clearance between track and door is required
- Easy installation and adjustment
- 200 lb. panel capacity
- Needle bearing nylon wheels for smooth operation
- Clear anodized aluminum track 280C
- 2 year warranty

LP200A Kits Include:

- 1 ea **280C** Clear Anodized Aluminum Track
- 1 ea **LH100** Hardware Kit

LH100 Hardware Kits Include:

- 2 ea Low Head Room Units
- 2 ea End Caps
- 2 ea In-Track Clip Stops
- 1 ea Screw Pack
- 2 ea Low Head Room Hangers
- 1 ea **102N** White Nylon Mortise Guide
- 1 ea Small Spanner and 4mm Allen Key

Standard Kit Sizes			
Part Number	Material	Track Length	Door Width
LP200A/6	Aluminum	72"	36"
LP200A/8	Aluminum	96"	48"
LP200A/10	Aluminum	120"	60"

Options: See page 39

- Side Wall Track Bracket **281** available as 5 pack only, **2815**
Note: Need one at each end and no more than 3 feet in between. Fasteners included.
- Bottom Channel **94A**
- Roller Guide **106R/94**
- Threshold **971A**

ASSA ABLOY

The global leader in door opening solutions

800-346-7707 | www.pemko.com
Check the web site for the up-to-date catalog

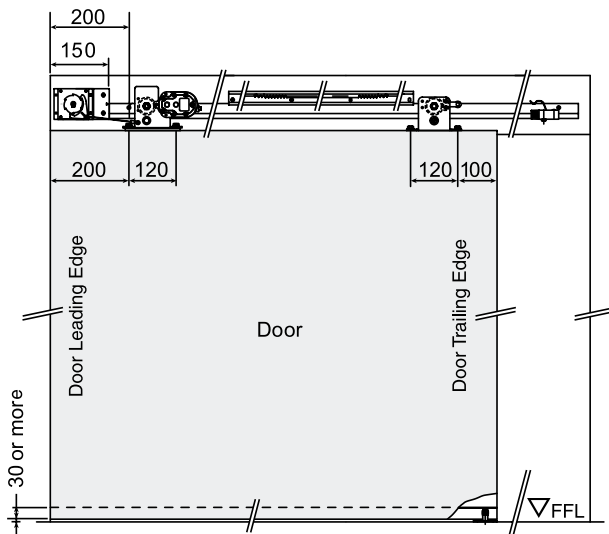
Copyright © 2017, Pemko Manufacturing Co., an ASSA ABLOY Group company. All rights reserved. Reproduction in whole or in part without the express written permission of Pemko Manufacturing Co. is prohibited.

Sirocco Series

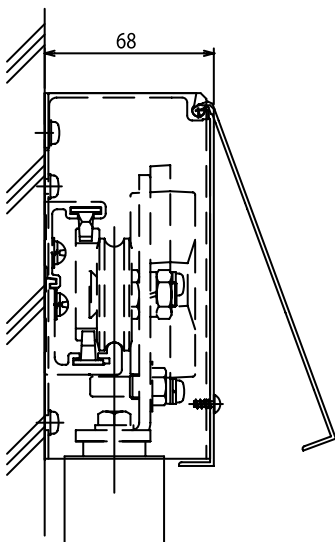
For Sliding Panels up to 200 lbs.

Manufactured by P.C. Henderson

HENDERSON



Right Hand SIRRH Shown Above and Below



The Sirocco system is a quiet, user friendly, self closing system which brings the door gently to a close.

The integrated hydraulic soft stop brings the door to a safe and cushioned close making it ideal for disabled access systems or public areas. The internal door brake can also be adjusted to allow the user to dictate the speed of opening preventing damage to the door and system.

Configurations:

- Single

Installations:

- Side Wall Mount

Features:

- Self closing system for a single door from 31 $\frac{1}{2}$ " to 47 $\frac{1}{4}$ " wide and up to 200 lbs.
- Interior applications only
- Comes complete with a hydraulically controlled soft close feature
- Adjustable closing speed
- Door brake to reduce opening speed to prevent damage to the door and system
- Optional hold open unit giving adjustable time delay before self closing
- Operational between temperature ranges of 50 to 104 degrees Fahrenheit
- 2 year warranty

Sirocco Series Kits Include:

- 1 ea Track 86.61" long
- 1 ea Leading hanger
- 1 ea Trailing hanger
- 1 ea Hydraulic Control Unit
- 1 ea Closing brake rack
- 1 ea Opening brake rack
- 1 ea Power spring mounting bracket
- 7 ea Height adjustment plates
- 1 ea Power spring unit
- 1 ea Guide roller
- 1 ea Opening door stop
- 1 ea Door stop roller
- 1 ea Closing door stop
- 2 ea Wooden door plate (and all required screws and bolts)

Standard Kits

Part Number	Description
SIRRH	Right Hand Opening Kit
SIRLH	Left Hand Opening Kit

Options:

- SIRF/2500** 98" Fascia
- DELRH** Delayed Closing Timer Right Hand
- DELLH** Delayed Closing Timer Left Hand

800-346-7707 | www.pemko.com

Check the web site for the up-to-date catalog

Copyright © 2017, Pemko Manufacturing Co., an ASSA ABLOY Group company. All rights reserved. Reproduction in whole or in part without the express written permission of Pemko Manufacturing Co. is prohibited.

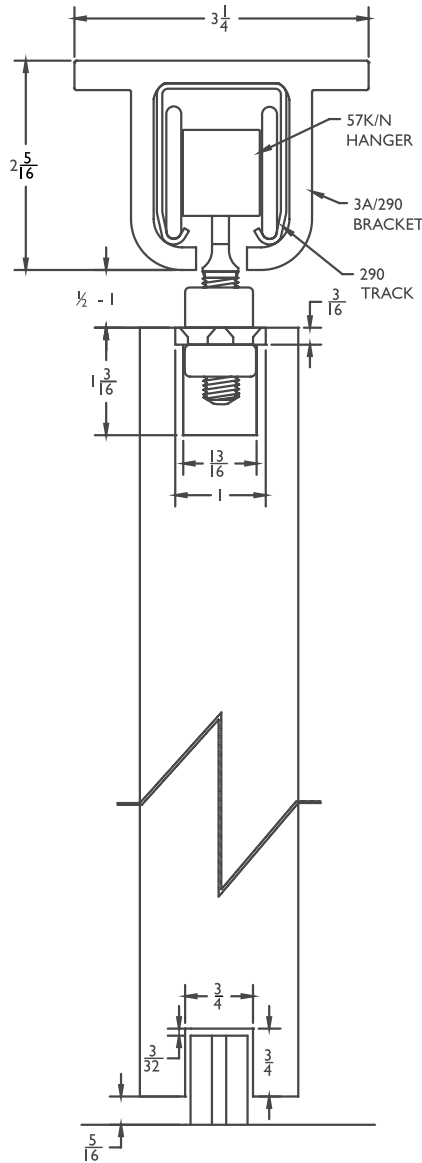
ASSA ABLOY

The global leader in door opening solutions

H300S-OH Series

For Sliding Panels up to 300 lbs.
 Manufactured by P.C. Henderson

HENDERSON



Configurations:

- Single
- Bi-parting

Installations:

- Overhead Mount

Features:

- Overhead mount system
- Nylon wheels for smooth operation
- 300 lb. panel capacity
- Galvanized steel track 290
- 2 year warranty

H300S-OH Kits Include:

- 1 ea **290** Galvanized Steel Track
- **3A/290** Aluminum Alloy Overhead Mount Track Brackets (One at each end and no more than 3 feet in between)
- 2 ea **1A/290/EC** Aluminum Alloy End Caps
- 2 ea **57K/N** White Nylon Body and Wheels, Zinc Coated Steel Pendant Bolt Hangers
- 2 ea **HH3/290** Galvanized Steel In-Track Stop
- 1 ea **89/2N** Gray Nylon Mortise Guide

Standard Kit Sizes			
Part Number	Material	Track Length	Door Width
H300S-OH/6	Steel	72"	36"
H300S-OH/8	Steel	96"	48"
H300S-OH/10	Steel	120"	60"
H300S-OH/12	Steel	144"	72"

Options: See page 39

- Bottom Channel **94A**
- Roller Guide **106R/94**
- Threshold **971A**
- Joining Bracket **3AX/290**
- Mortise Guides **102N**

ASSA ABLOY

The global leader in door opening solutions

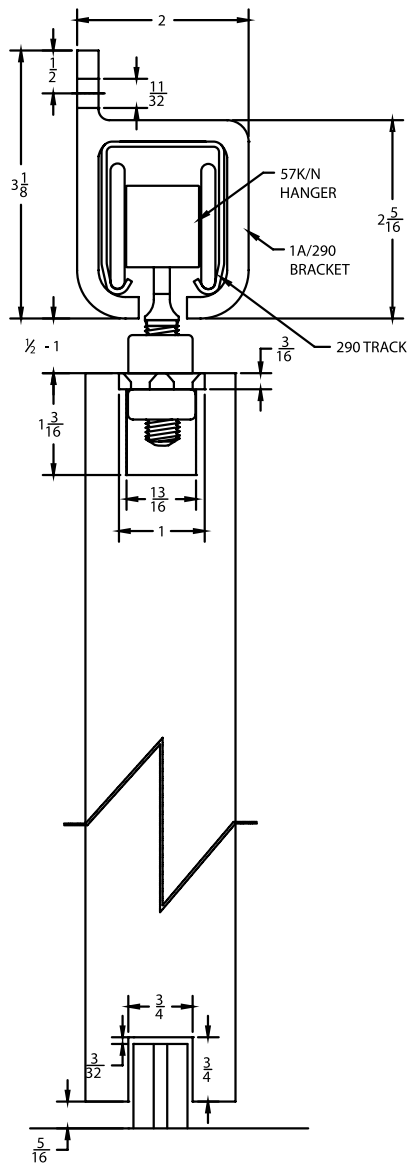
800-346-7707 | www.pemko.com
 Check the web site for the up-to-date catalog

Copyright © 2017, Pemko Manufacturing Co., an ASSA ABLOY Group company. All rights reserved. Reproduction in whole or in part without the express written permission of Pemko Manufacturing Co. is prohibited.

H300S-SW Series

For Sliding Panels up to 300 lbs.
Manufactured by P.C. Henderson

HENDERSON



Configurations:

- Single
- Bi-parting

Installations:

- Side Wall Mount

Features:

- Side wall mount system
- Nylon wheels for smooth operation
- 300 lb. panel capacity
- Galvanized steel track 290
- 2 year warranty

H300S-SW Kits Include:

- 1 ea **290** Galvanized Steel Track
- **1A/290** Side Wall Mount Track Brackets (One at each end and no more than three feet in between)
- 2 ea **1A/290/EC** Aluminum Alloy End Caps
- 2 ea **57K/N** White Nylon Body and Wheels, Zinc Coated Steel Pendant Bolt Hangers
- 2 ea **HH3/290** Galvanized Steel In-Track Stops
- 1 ea **89/2N** Gray Nylon Mortise Guide

Standard Kit Sizes

Part Number	Material	Track Length	Door Width
H300S-SW/6	Steel	72"	36"
H300S-SW/8	Steel	96"	48"
H300S-SW/10	Steel	120"	60"
H300S-SW/12	Steel	144"	72"

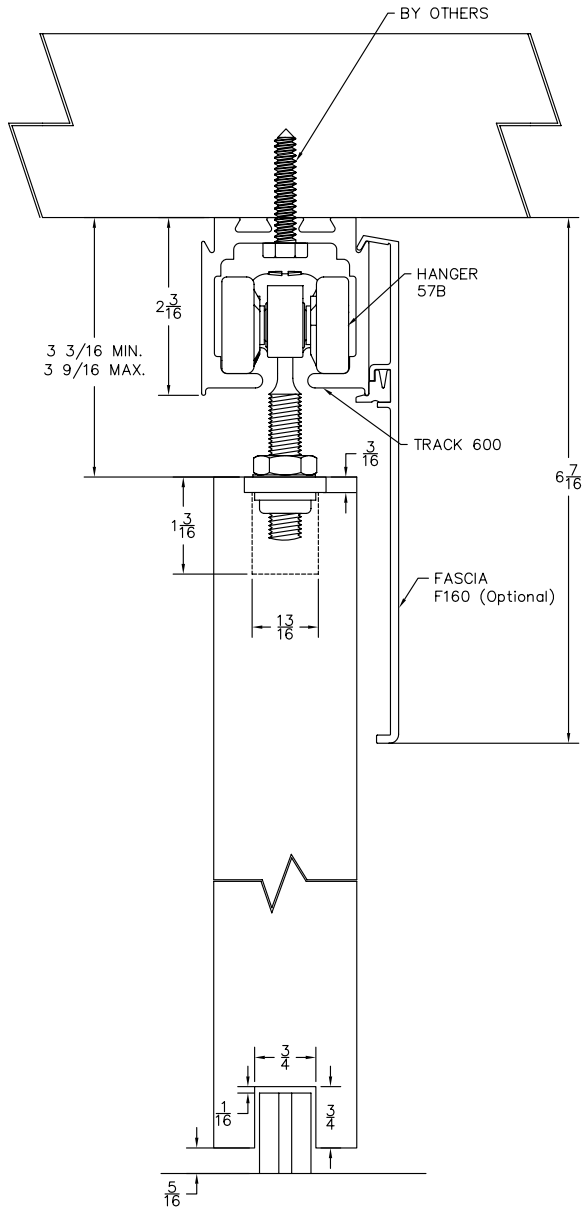
Options: See page 39

- Bottom Channel **94A**
- Roller Guide **106R/94**
- Mortise Guides **102N**
- Side Wall Mortise Guides **102WN** (nylon) and **102WA** (steel)
- Joining Bracket **1AX/290**

H440A-OH Series

For Sliding Panels up to 440 lbs.
 Manufactured by P.C. Henderson

HENDERSON



Configurations:

- Single
- Bi-parting

Installations:

- Overhead Mount

Features:

- Overhead mount system
- Nylon body and steel ball bearing nylon wheels for smooth operation
- 440 lb. panel capacity
- Mill finished aluminum track 600A
- 2 year warranty

H440A-OH Kits Include:

- 1 ea **600A** Mill Finished Aluminum Track
- 2 ea **57B** Hangers: Gray Nylon Body, Zinc Coated Steel Pendant Bolt, Steel Ball Bearing Nylon Wheels
- 2 ea **601P** Nylon In-Track Clip Stop
- 1 ea **89/2N** Gray Nylon Mortise Guide

Standard Kit Sizes

Part Number	Material	Track Length	Door Width
H440A-OH/6	Aluminum	72"	36"
H440A-OH/8	Aluminum	96"	48"
H440A-OH/10	Aluminum	120"	60"
H440A-OH/12	Aluminum	144"	72"

Options: See page 39

- Fascia **F160C**
- Bottom Channel **94A**
- Roller Guide **106R/94**
- Threshold **971A**
- Mortise Guides **102N**
- End Plate Kit **F160ECP** (used with **F160C** fascia and **600A** track only)

ASSA ABLOY

The global leader in
 door opening solutions

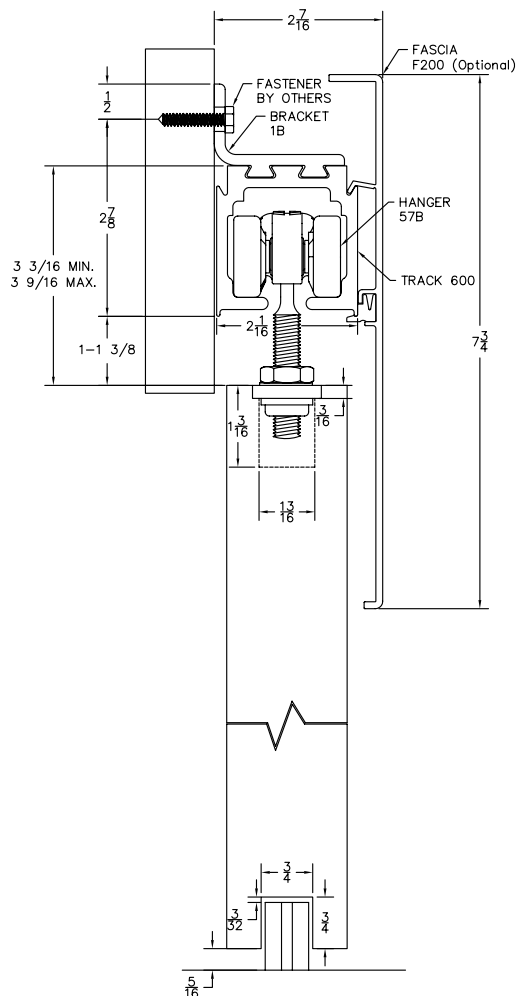
800-346-7707 | www.pemko.com
 Check the web site for the up-to-date catalog

Copyright © 2017, Pemko Manufacturing Co., an ASSA ABLOY Group company. All rights reserved.
 Reproduction in whole or in part without the express written permission of Pemko Manufacturing Co. is prohibited.

H440A-SW Series

For Sliding Panels up to 440 lbs.
Manufactured by P.C. Henderson

HENDERSON



Configurations:

- Single
- Bi-parting

Installations:

- Side Wall Mount

Features:

- Side wall mount system
- Nylon body and steel ball bearing nylon wheels for smooth operation
- 440 lb. panel capacity
- Mill finished aluminum track 600A
- 2 year warranty

H440A-SW Kits Include:

- 1 ea **600A** Mill Finished Aluminum Track
- **1B** Side Wall Mount Track Brackets (One at each end and no more than 3 feet in between)
- 2 ea **57B** Hangers: Gray Nylon Body, Zinc Coated Steel Pendant Bolt, Steel Ball Bearing Nylon Wheels
- 2 ea **601P** Nylon In-Track Clip Stop
- 1 ea **89/2N** Gray Nylon Mortise Guide

Standard Kit Sizes

Part Number	Material	Track Length	Door Width
H440A-SW/6	Aluminum	72"	36"
H440A-SW/8	Aluminum	96"	48"
H440A-SW/10	Aluminum	120"	60"
H440A-SW/12	Aluminum	144"	72"

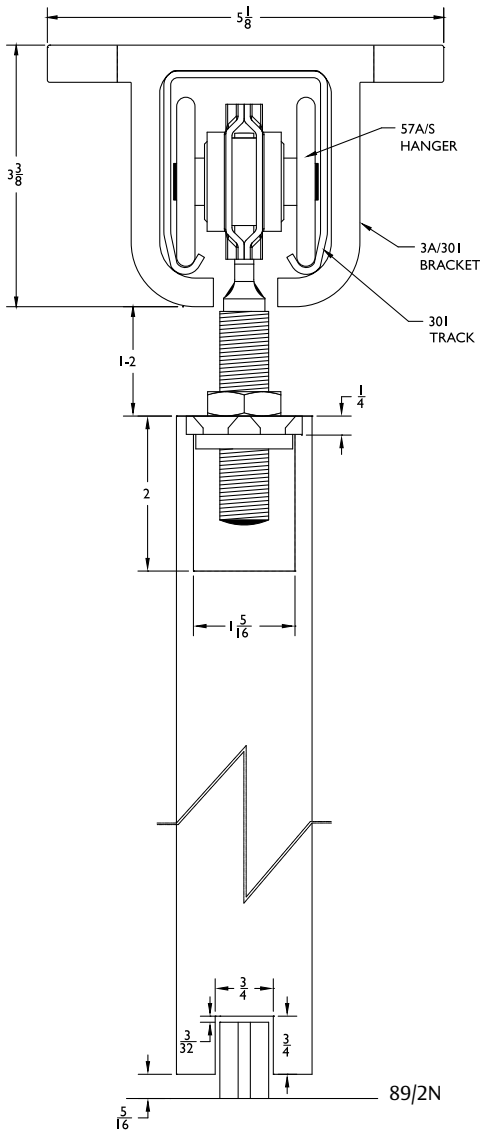
Options: See page 39

Fascia	F200C
Bottom Channel	94A
Roller Guide	106R/94
Mortise Guides	102N
Side Wall Mortise Guides	102WN (nylon) and 102WA (steel)
End Plate Kit	F200ECP (used with F200C fascia and 600A track only)
Joining Bracket	1BX

H600S-OH Series

For Sliding Panels up to 600 lbs.
Manufactured by P.C. Henderson

HENDERSON



Configurations:

- Single
- Bi-parting

Installations:

- Overhead Mount

Features:

- Overhead mount system
- Heavy duty zinc coated steel
- Ball bearing wheels
- 600 lb. panel capacity
- Galvanized steel track 301
- 2 year warranty

H600S-OH Kits Include:

- 1 ea **301** Galvanized Steel Track
- **3A/301** Aluminum Alloy Overhead Mount Track Brackets
(One at each end and no more than three feet in between)
- 2 ea **1A/301/EC** Aluminum Alloy End Caps
- 2 ea **57A/S** Zinc Coated Steel Body, Wheels, and Pendant Bolt Hangers
- 2 ea **HH3/301** Galvanized Steel In-Track Stops
- 1 ea **89/2N** Gray Nylon Mortise Guide

Standard Kit Sizes

Part Number	Material	Track Length	Door Width
H600S-OH/6	Steel	72"	36"
H600S-OH/8	Steel	96"	48"
H600S-OH/10	Steel	120"	60"
H600S-OH/12	Steel	144"	72"

Options: See page 39

- Bottom Channel **94A**
- Roller Guide **106R/94**
- Mortise Guides **102N**
- Threshold **971A**
- Joining Bracket **3AX/301**

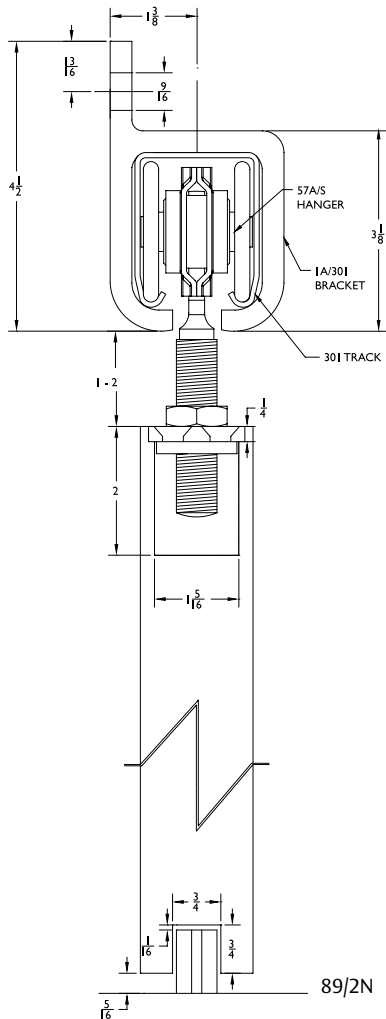
ASSA ABLOY

The global leader in
door opening solutions

H600S-SW Series

For Sliding Panels up to 600 lbs.
Manufactured by P.C. Henderson

HENDERSON



Configurations:

- Single
- Bi-parting

Installations:

- Side Wall Mount

Features:

- Side wall mount system
- Heavy duty zinc coated steel
- Ball bearing wheels
- 600 lb. panel capacity
- Galvanized steel track 301
- 2 year warranty

H600S-SW Kits Include:

- 1 ea **301** Galvanized Steel Track
- **1A/301** Side Wall Mount Track Brackets
(One at each end and no more than three feet in between)
- 2 ea **1A/301/EC** Aluminum Alloy End Caps
- 2 ea **57A/S** Zinc Coated Steel Body, Wheels, and Pendant Bolt Hangers
- 2 ea **HH3/301** Galvanized Steel In-Track Stops
- 1 ea **89/2N** Gray Nylon Mortise Guide

Standard Kit Sizes

Part Number	Material	Track Length	Door Width
H600S-SW/6	Steel	72"	36"
H600S-SW/8	Steel	96"	48"
H600S-SW/10	Steel	120"	60"
H600S-SW/12	Steel	144"	72"

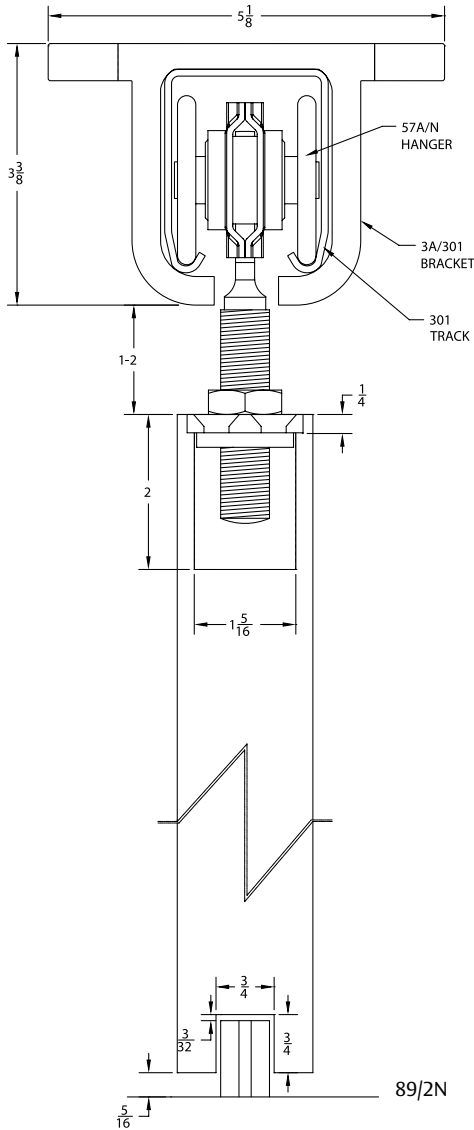
Options: See page 39

- Bottom Channel **94A**
- Roller Guide **106R/94**
- Mortise Guides **102N**
- Side Wall Mortise Guides **102WN**
- Joining Bracket **1AX/301**

H800S-OH Series

For Sliding Panels up to 800 lbs.
Manufactured by P.C. Henderson

HENDERSON



Configurations:

- Single
- Bi-parting

Installations:

- Overhead Mount

Features:

- Overhead mount system
- Heavy duty zinc coated steel body
- Ball bearing nylon wheels for smooth operation
- 800 lb. panel capacity
- Galvanized steel track 301
- 2 year warranty

H800S-OH Kits Include:

- 1 ea **301** Galvanized Steel Track
- **3A/301** Overhead Mount Track Brackets (One at each end and no more than three feet in between)
- 2 ea **1A/301/EC** Aluminum Alloy End Caps
- 2 ea **57A/N** Zinc Coated Steel Body, Nylon Wheels, and Pendant Bolt Hangers
- 2 ea **HH3/301** Galvanized Steel In-Track Stop
- 1 ea **89/2N** Gray Nylon Mortise Guide

Standard Kit Sizes			
Part Number	Material	Track Length	Door Width
H800S-OH/6	Steel	72"	36"
H800S-OH/8	Steel	96"	48"
H800S-OH/10	Steel	120"	60"
H800S-OH/12	Steel	144"	72"

Options: See page 39

- Bottom Channel **94A**
- Roller Guide **106R/94**
- Mortise Guides **102N**
- Threshold **971A**
- Joining Bracket **3AX/301**

ASSA ABLOY

The global leader in door opening solutions

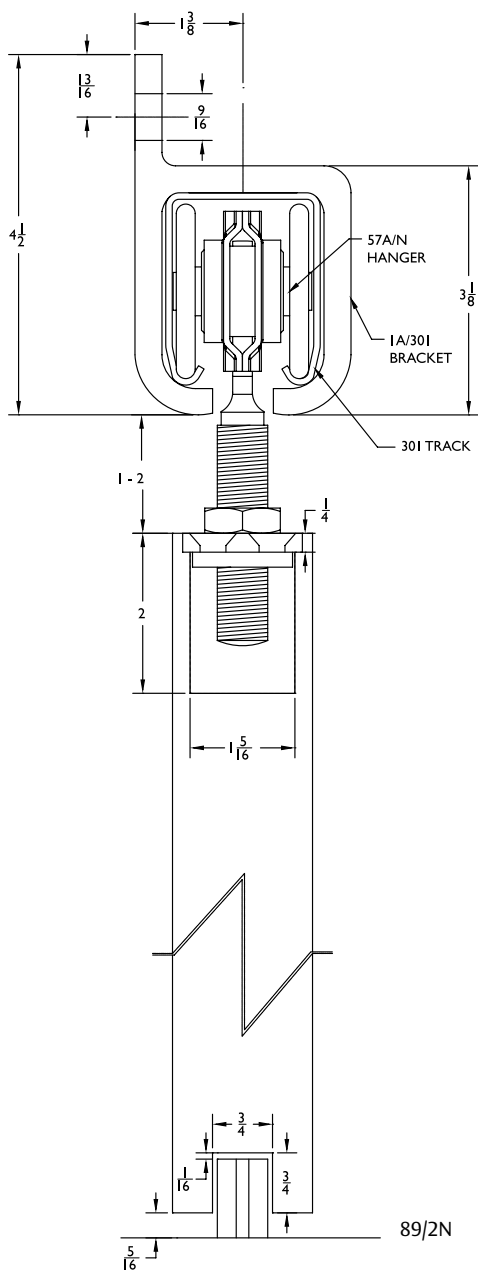
800-346-7707 | www.pemko.com
Check the web site for the up-to-date catalog

Copyright © 2017, Pemko Manufacturing Co., an ASSA ABLOY Group company. All rights reserved. Reproduction in whole or in part without the express written permission of Pemko Manufacturing Co. is prohibited.

H800S-SW Series

For Sliding Panels up to 800 lbs.
Manufactured by P.C. Henderson

HENDERSON



Configurations:

- Single
- Bi-parting

Installations:

- Side Wall Mount

Features:

- Side wall mount system
- Heavy duty zinc coated steel body
- Heavy ball bearing nylon wheels for smooth operation
- 800 lb. panel capacity
- Galvanized steel track 301
- 2 year warranty

H800S-SW Kits Include:

- 1 ea **301** Galvanized Steel Track
- **1A/301** Aluminum Alloy Side Wall Mount Track Brackets (One at each end and no more than three feet in between)
- 2 ea **1A/301/EC** Aluminum Alloy End Caps
- 2 ea **57A/N** Zinc Coated Steel Body, Nylon Wheels, and Pendant Bolt Hangers
- 2 ea **HH3/301** Galvanized Steel In-Track Stops
- 1 ea **89/2N** Gray Nylon Mortise Guide

Standard Kit Sizes

Part Number	Material	Track Length	Door Width
H800S-SW/6	Steel	72"	36"
H800S-SW/8	Steel	96"	48"
H800S-SW/10	Steel	120"	60"
H800S-SW/12	Steel	144"	72"

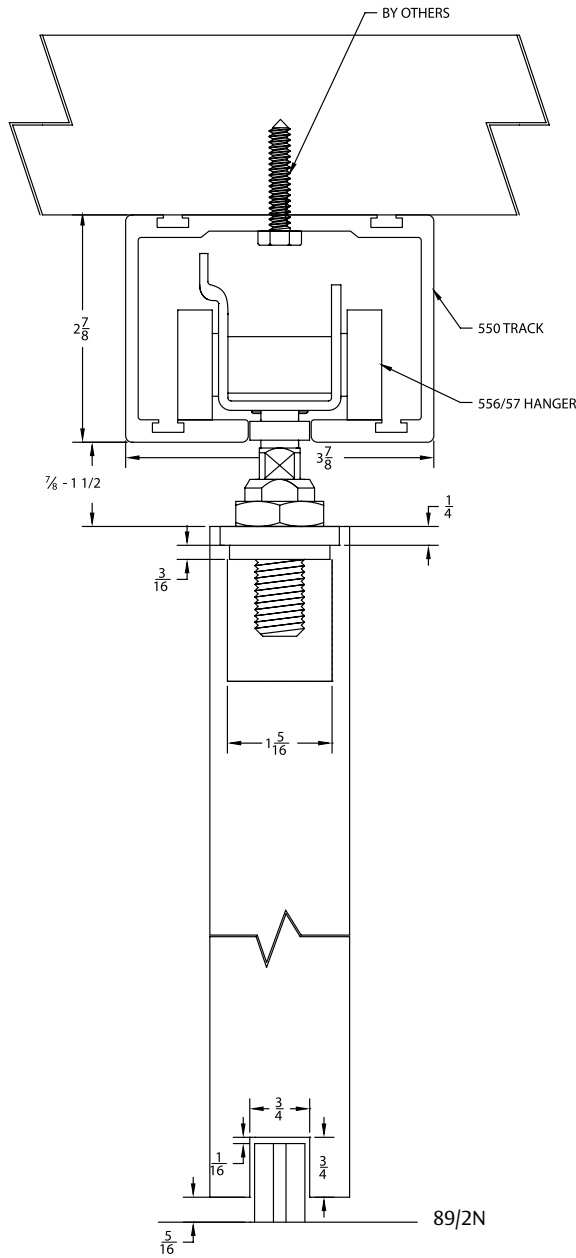
Options: See page 39

- Bottom Channel **94A**
- Roller Guide **106R/94**
- Mortise Guides **102N**
- Side Wall Mortise Guides **102WN** (nylon) and **102WA** (steel)
- Joining Bracket **1AX/301**

H1100A-OH Series

For Sliding Panels up to 1100 lbs.
Manufactured by P.C. Henderson

HENDERSON



Ideally suited for large doors that require high performance and an attractive finish.

Typical applications are hotels, conference centers, shop-fronts and showrooms.

Configurations:

- Single
- Bi-parting

Installations:

- Overhead Mount

Features:

- For top hung wood and metal doors
- Heavy duty black painted steel body
- Ball bearing steel wheels
- 1100 lb. panel capacity
- Mill finished aluminum track 550A
- 2 year warranty

H1100A-OH Kits Include:

- 1 ea **550A** Mill Finished Aluminum Track
- 2 ea **556/57** Painted Black Steel Body - Zinc Coated Steel Wheels and Pendant Bolt Hangers
- 2 ea **HH3/301** Galvanized Steel In-Track Stops
- 1 ea **89/2N** Gray Nylon Mortise Guide

Standard Kit Sizes			
Part Number	Material	Track Length	Door Width
H1100A-OH/6	Aluminum	72"	36"
H1100A-OH/8	Aluminum	96"	48"
H1100A-OH/10	Aluminum	120"	60"
H1100A-OH/12	Aluminum	144"	72"
H1100A-OH/16	Aluminum	197"	98"

Options: See page 39

- Bottom Channel **94A**
- Roller Guide **106R/94**
- Threshold **971A**

ASSA ABLOY

The global leader in door opening solutions

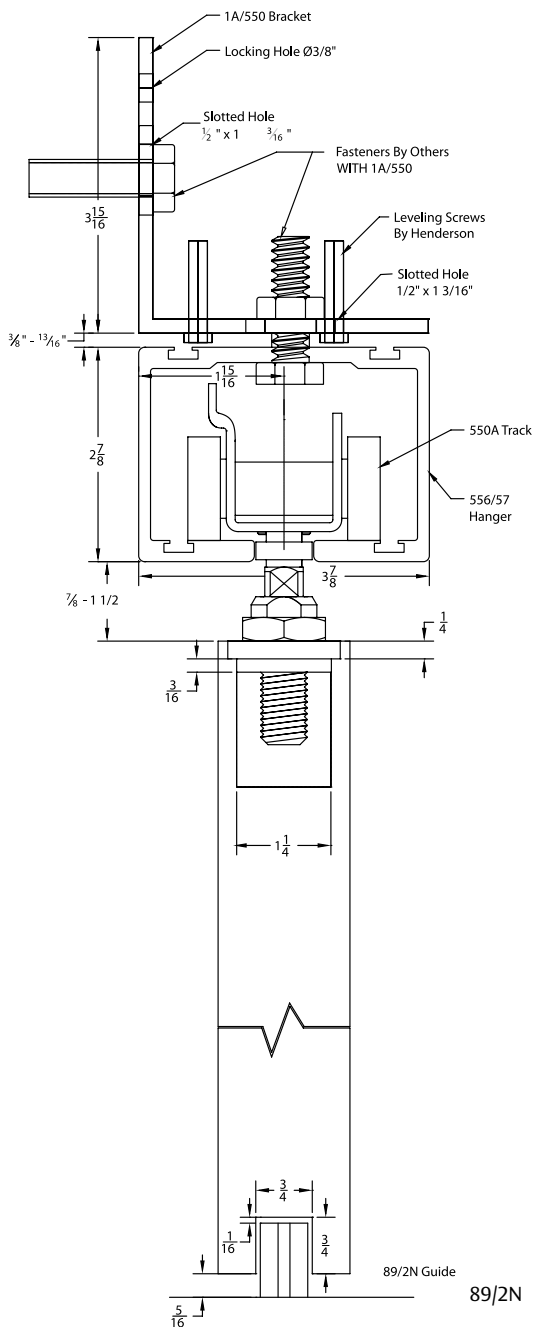
800-346-7707 | www.pemko.com
Check the web site for the up-to-date catalog

Copyright © 2017, Pemko Manufacturing Co., an ASSA ABLOY Group company. All rights reserved. Reproduction in whole or in part without the express written permission of Pemko Manufacturing Co. is prohibited.

H1100A-SW Series

For Sliding Panels up to 1100 lbs.
Manufactured by P.C. Henderson

HENDERSON



Ideally suited for large doors that require high performance and an attractive finish.

Typical applications are hotels, conference centers, shop-fronts and showrooms.

Configurations:

- Single
- Bi-parting

Installations:

- Side Wall Mount

Features:

- Heavy duty black painted steel body ball bearing wheels
- 1100 lb. panel capacity
- Mill finished aluminum track 550A
- 2 year warranty

H1100A-SW Kits Include:

- 1 ea **550A** Mill Finished Aluminum Track
- **1A/550** Aluminum Alloy Side Wall Track Bracket
Fastners not included with 1A/550. (One at each end and no more than three feet in between)
- 2 ea **556/57** Painted Black Steel Body - Zinc Coated Steel Wheels and Pendant Bolt Hangers
- 2 ea **HH3/301** Galvanized Steel In-Track Stops
- 1 ea **89/2N** Gray Nylon Mortise Guide

Standard Kit Sizes

Part Number	Material	Track Length	Door Width
H1100A-SW/6	Aluminum	72"	36"
H1100A-SW/8	Aluminum	96"	48"
H1100A-SW/10	Aluminum	120"	60"
H1100A-SW/12	Aluminum	144"	72"
H1100A-SW/16	Aluminum	197"	98"

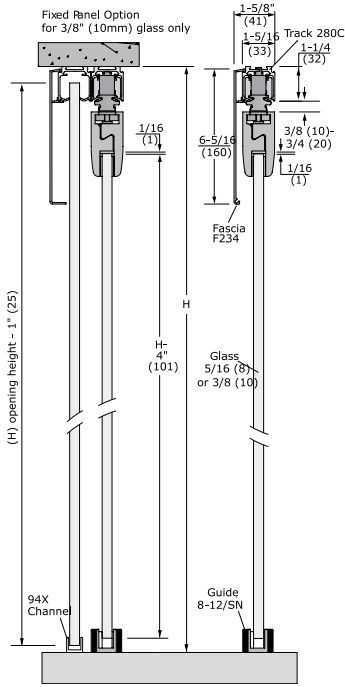
Options: See page 39

Bottom Channel
Roller Guide

94A
106R/94

Husky Sliding Glass Series

Manufactured by P.C. Henderson **HENDERSON**



For lightweight glass applications such as office doors and small glass partitions.

- 2 year warranty

Capacity:

- Max. door weight 165 lbs. (75kg)
- Max. door height 7' 10" (2400mm)
- Max. door width 4' 1" (1250mm)
- Glass thickness 5/16" (8mm) & 3/8" (10mm)

Door Types:

Glass panels of 5/16" (8mm) or 3/8" (10mm) thickness in tempered or laminated glass.

8/HY/75 and 10/HY/75 HUSKY Glass Clamp Kit:

8/HY/75 is for 8mm or 5/16" thick glass
 10/HY/75 kit is for 10mm or 3/8" thick glass

- 2 ea **284D** Hangers
- 2 ea **GLASS** Clamps
- 2 ea **601H** End stops
- 1 ea **8-12/SN** adjustable guide for 5/16" or 3/8" glass guide

Standard Kit Sizes			
Part Number	Material	Track Length	Door Width
280C72	Aluminum	72"	36"
280C96	Aluminum	96"	48"
280C120	Aluminum	120"	60"
280C144	Aluminum	144"	72"

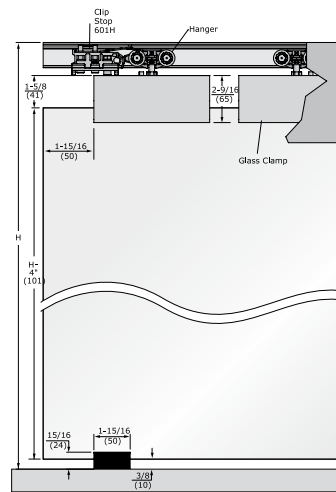
Options: See page 39

Face mount bracket: **281** available as 5 pack only, **2815**
 NOTE: Need one on each end, with no more than 3 feet in between each bracket. Fasteners included.

Fascias: **F234C** clear anodized aluminum fascia

Guides: **8-12/SN** adjustable guide for 5/16" or 3/8" glass guide

Accessories: **601H** retaining stop mounted within the track



ASSA ABLOY

The global leader in door opening solutions

800-346-7707 | www.pemko.com
 Check the web site for the up-to-date catalog

Copyright © 2017, Pemko Manufacturing Co., an ASSA ABLOY Group company. All rights reserved. Reproduction in whole or in part without the express written permission of Pemko Manufacturing Co. is prohibited.

Pocket Frame Kit

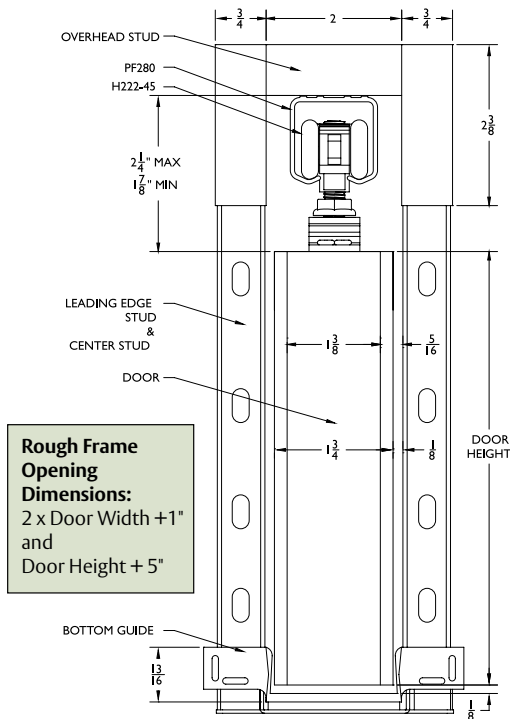


Features:

- Heavy duty hardware supports doors up to 175 lbs. each
- Standard kit is for 1³/₈" door. For 1³/₄" door, MUST use PF134KIT (see Options below)
- Chrome plated steel hangers are corrosion resistant and no maintenance is required
- 5 year warranty

Pocket Frame Kit Includes:

- 1 ea Header Track Assembly
 - 4 ea **PFAS_** Aluminum Cased Wood Studs
 - 2 ea **PFHB-1** and **PFHB-2** Pre-Mounted Header Brackets
 - 2 ea **H222-45** Hangers
 - 2 ea **PFFC-8** Floor Cleats
 - 1 ea **PFBS** Pocket Frame Bumper Stop
 - 1 ea **PFBG-8** Pocket Frame Bottom Guide for 1³/₈" Thick Doors
- Mounting Hardware



Rough Frame Opening Dimensions:
2 x Door Width + 1"
and
Door Height + 5"

Standard Kit Sizes			
2 x 4 (3 ¹ / ₂ " Stud)	2 x 6 (5 ¹ / ₂ " Stud)	2 x 6 (6" Stud)	Net Door Size (The Kits can be trimmed in field)
PF28200A6080	PF28200A6080-2x6	PF28200A6080-SP6	2'6" x 6'8"
PF28200A7280	PF28200A7280-2x6	PF28200A7280-SP6	3'0" x 6'8"
PF28200A9680	PF28200A9680-2x6	PF28200A9680-SP6	4'0" x 6'8"
PF28200A6084	PF28200A6084-2x6	PF28200A6084-SP6	2'6" x 7'0"
PF28200A7284	PF28200A7284-2x6	PF28200A7284-SP6	3'0" x 7'0"
PF28200A9684	PF28200A9684-2x6	PF28200A9684-SP6	4'0" x 7'0"
PF28200A6096	PF28200A6096-2x6	PF28200A6096-SP6	2'6" x 8'0"
PF28200A7296	PF28200A7296-2x6	PF28200A7296-SP6	3'0" x 8'0"
PF28200A9696	PF28200A9696-2x6	PF28200A9696-SP6	4'0" x 8'0"

Options:

- PF134 KIT** - Recommended for use with 1 3/4" thick doors in 2x4 constructed wall kits (3 1/2" stud)
- PFAS88** - An extra pair of 88" center studs with floor cleat for 84" tall doors, for doors over 3' wide
- PFAS100** - An extra pair of 100" center studs with floor cleat for 96" tall doors, for doors over 3' wide
- PFCDKIT** - Conversion Kit to achieve a bipart double door frame
- PFKIT-4** - Hardware Kit for PEMKO Pocket Frame Kit for 1³/₄" thick doors (Each contains 2-H222-45 Hangers, 1-PFBS Bumper Stop, 1- PFBG-4 Guide, 2 PFHS Header Shims, 2-PFFC-4 Floor Cleats)
- PFKIT-8** - Hardware Kit for PEMKO Pocket Frame Kit for 1³/₈" thick doors (Each contains 2-H222-45 Hangers, 1-PFBS Bumper Stop, 1- PFBG-8 Guide, 2-PFFC-8 Floor Cleats)

Custom sizes available call for information

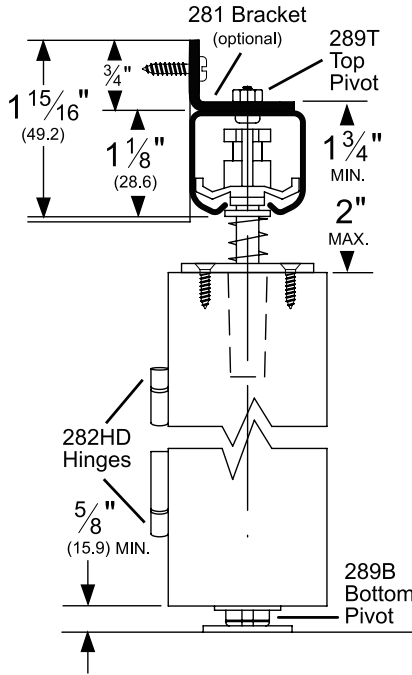
Folding 100 Series

For Folding Doors
For Doors up to 24" Wide x 96" Tall

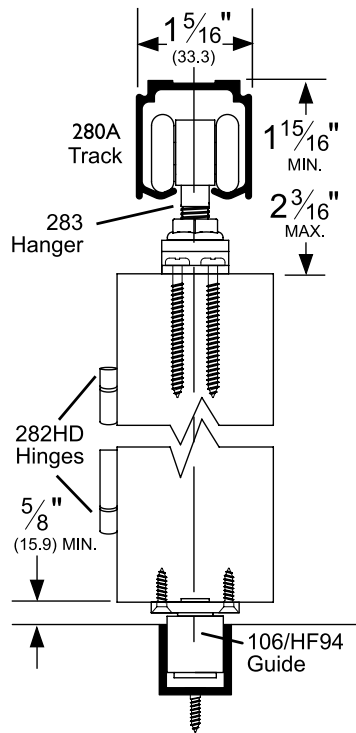
Manufactured by P.C. Henderson

HENDERSON

280 Side Wall Mounted



280C Overhead Mounted



Features:

- For medium weight folding doors
- Two and four leaf kits are available
- 2 year warranty

Two Panel:

HF2/100A Kits Include:

- 1 ea **280C** Clear Anodized Track
- 1 ea **283** Hanger
- 1 ea **289T** Top Pivot
- 1 ea **289B** Bottom Pivot
- 3 ea **282HD** Hinges
- 1 ea **106HF/94** Roller Guide
- 1 ea **94A** Aluminum Guide Channel
- 1 ea Adjusting Wrench and Mounting Hardware

Four Panel:

HF4/100A Kits Include:

- 1 ea **280C** Clear Anodized Track
- 2 ea **283** Hangers
- 2 ea **289T** Top Pivots
- 2 ea **289B** Bottom Pivots
- 6 ea **282HD** Hinges
- 2 ea **106HF/94** Roller Guide
- 1 ea **94A** Aluminum Guide Channel
- 1 ea Adjusting Wrench and Mounting Hardware

Standard Kit Sizes			
Part Number	Material	# of Panels	Track Length
HF2/100A/2	Aluminum	2	24"
HF2/100A/2*6	Aluminum	2	30"
HF2/100A/3	Aluminum	2	36"
HF2/100A/4	Aluminum	2	48"
HF4/100A/4	Aluminum	4	48"
HF4/100A/5	Aluminum	4	60"
HF4/100A/6	Aluminum	4	72"
HF4/100A/8	Aluminum	4	96"
HF2/100/4*	Steel	2	48"
HF4/100/8*	Steel	4	96"

*Steel kits include the same components as above, except track is 1ea 280 galvanized steel.

Options: See page 39

- Mounting Bracket **281** available as 5 pack only, **2815**
- Threshold **971A**
- Track **280D** dark bronze anodized aluminum

NOTE: Allow 1/4" clearance at pivot jambs and 1/8" in between hinged doors if hinges are semi mortised. Allow 3/16" between hinged doors if hinges are surface mounted. Allow 1/8" between doors meeting in the center of the opening on HF4 kits and allow 1/8" between wall and end panel on HF2 kits.

ASSA ABLOY

The global leader in door opening solutions

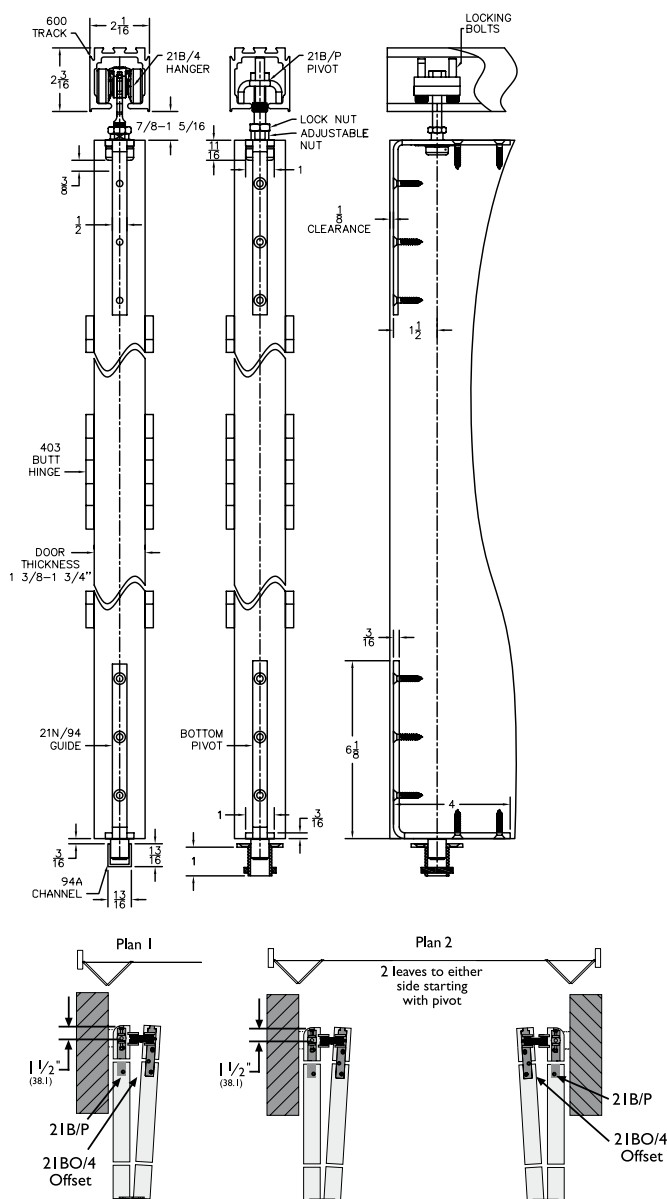
Pacer Interior End Fold Series

For Folding Doors and Room Dividers up to 165 lbs.

For Doors up to 36" Wide x 106" Tall

Manufactured by P.C. Henderson

HENDERSON



Features:

- For top-hung, medium weight, interior, partition doors
- Ideal in both residential and commercial applications requiring end folding doors
- 2 year warranty

Two Panel: plan 1

PIF2/165A Kits Include:

- 1 ea **600A** Mill Finished Aluminum Track
- 1 ea **21B/P** Top and Bottom Pivot Assembly
- 1 ea **21B/4** Nylon Body and Wheels, Zinc Coated Steel Pendant Bolt and Door Bracket Hanger
- 1 ea **21N/94** Nylon Roller Guide on Zinc Coated Steel Door Bracket Bottom Guide
- 4 ea **403/2** Aluminum Alloy Butt Hinges
- 1 ea **94A** Aluminum Guide Channel

Four Panel: plan 2

PIF4/165A Kits Include:

- 1 ea **600A** Mill Finished Aluminum Track
- 2 ea **21B/P** Top and Bottom Pivot Assembly
- 2 ea **21BO/4** Nylon Body and Wheels, Zinc coated steel Pendant Bolt and Door Bracket Hanger
- 2 ea **21N/94** Nylon Roller Guide on Zinc Coated Steel Door Bracket Bottom Guide
- 8 ea **403/2** Aluminum Alloy Butt Hinges
- 1 ea **94A** Aluminum Guide Channel

Standard Kit Sizes

Part Number	Material	# of Panels	Track Length
PIF2/165A/6	Aluminum	2	72"
PIF4/165A/6	Aluminum	4	72"
PIF4/165A/8	Aluminum	4	96"
PIF4/165A/12	Aluminum	4	2 @ 72"

Options: See page 39

Threshold **971A**

NOTE: Allow $\frac{3}{8}$ " clearance at pivot jambs and $\frac{1}{8}$ " in between hinged doors if hinges are semi mortised. Allow $\frac{7}{16}$ " between hinged doors if hinges are surface mounted. Allow $\frac{1}{8}$ " between doors meeting in the center of the opening on PIF4 kits and allow $\frac{1}{8}$ " between wall and end panel on PIF2 kits.

ASSA ABLOY

The global leader in door opening solutions

800-346-7707 | www.pemko.com

Check the web site for the up-to-date catalog

Copyright © 2017, Pemko Manufacturing Co., an ASSA ABLOY Group company. All rights reserved. Reproduction in whole or in part without the express written permission of Pemko Manufacturing Co. is prohibited.

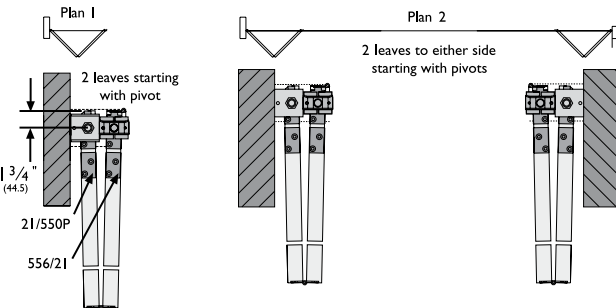
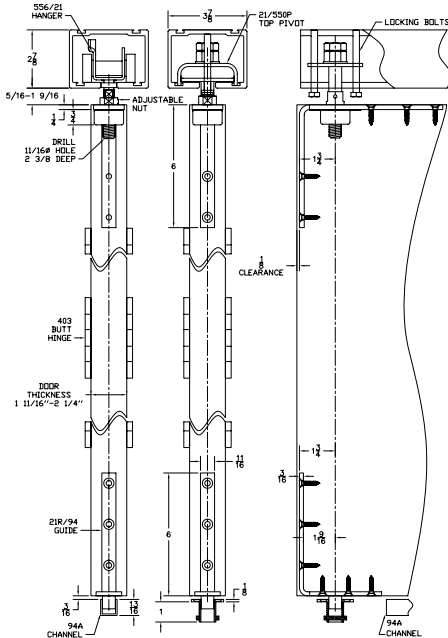
Flexirol Interior End Fold Series

For Folding Doors and Room Dividers up to 275 lbs.

For Doors up to 48" Wide x 177" Tall

Manufactured by P.C. Henderson

HENDERSON



Features:

- For top-hung, heavy weight, interior, partition doors.
- Specifically designed for commercial applications requiring end folding doors
- 2 year warranty.

Two Panel: plan 1

FIF2/275A Kits Include:

- 1 ea **550A** Mill Finished Aluminum Track
- 1 ea **21/550/P** Top and Bottom Pivot Assembly
- 1 ea **556/21** Zinc Coated Steel Wheels, Pendant Bolt, Body, and Door Bracket
- 1 ea **21R/94** Bottom Guide
- 4 ea **403/2** Aluminum Alloy Butt Hinges
- 1 ea **94A** Aluminum Guide Channel

Four Panel: plan 2

FIF4/275A Kits Include:

- 1 ea **550A** Mill Finished Aluminum Track
- 2 ea **21/550/P** Top and Bottom Pivot Assembly
- 2 ea **556/21** Zinc Coated Steel Wheels, Pendant Bolt, Body, and Door Bracket
- 2 ea **21R/94** Bottom Guide
- 8 ea **403/2** Aluminum Alloy Butt Hinges
- 1 ea **94A** Aluminum Guide Channel

Standard Kit Sizes			
Part Number	Material	# of Panels	Track Length
FIF2/275A/6	Aluminum	2	72"
FIF2/275A/8	Aluminum	2	96"
FIF4/275A/6	Aluminum	4	72"
FIF4/275A/8	Aluminum	4	96"
FIF4/275A/12	Aluminum	4	2 @ 72"
FIF4/275A/16	Aluminum	4	2 @ 96"

Options: See page 39

Threshold **971A**

NOTE: Allow 3/8" clearance at pivot jambs and 1/8" in between hinged doors if hinges are semi mortised. Allow 7/16" between hinged doors if hinges are surface mounted. Allow 1/8" between doors meeting in the center of the opening on FIF4 kits and allow 1/8" between wall and end panel on FIF2 kits.

ASSA ABLOY

The global leader in door opening solutions

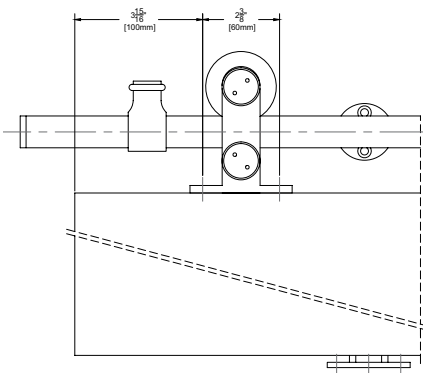
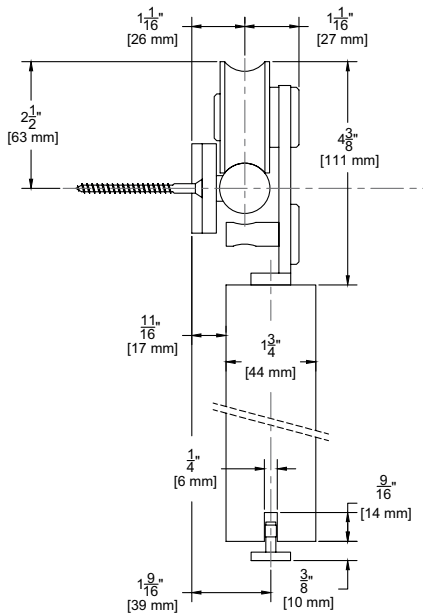
800-346-7707 | www.pemko.com
Check the web site for the up-to-date catalog

Copyright © 2017, Pemko Manufacturing Co., an ASSA ABLOY Group company. All rights reserved. Reproduction in whole or in part without the express written permission of Pemko Manufacturing Co. is prohibited.

Stainless Steel Sliding Track Hardware System

W60 Series for Wood Doors

For Sliding Panels up to 176 lbs.



Configurations:

- Single
- Bi-parting

Installations:

- Side Wall Mount (only)

Features:

- Made of 304 stainless steel
- Nylon coated stainless steel wheel for smooth operation
- 176 lb. panel capacity
- 5 year warranty

Finishes:

- Brushed Stainless Steel (W60)
- Dark Bronze Stainless Steel (W60D)
- Polished Stainless Steel (W60P)

W60 Kits Include:

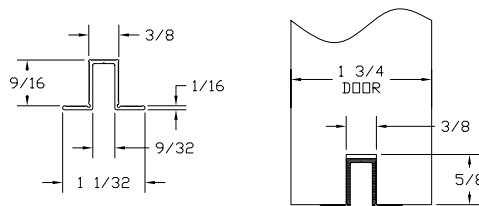
- 1 ea **BAR/_** Stainless Steel Track
- **BRACKET2** Stainless Steel Wall Brackets
- 2 ea **62** Stainless Steel Hangers
- 1 ea **WOODGUIDE** Stainless Steel Guide
- 2 ea **STOP2** Stainless Steel Stops Mounting Hardware

NOTE: If ordering individual parts in the optional Dark Bronze or Polished finishes, be sure to include a suffix "D" for Dark Bronze or "P" for Polished Stainless

Standard Kit Sizes			
Part Number	Material	Track Length	Door Width
W60/6	304 Stainless Steel	78 ³ / ₄ "	36"
W60/8	304 Stainless Steel	98 ⁷ / ₁₆ "	48"
W60D/6	304 Dark Bronze Stainless Steel	78 ³ / ₄ "	36"
W60D/8	304 Dark Bronze Stainless Steel	98 ⁷ / ₁₆ "	48"
W60P/6	304 Polished Stainless Steel	78 ³ / ₄ "	36"
W60P/8	304 Polished Stainless Steel	98 ⁷ / ₁₆ "	48"

Options: See page 39

- Bottom Channel **94A**
- Roller Guide **106R/94**
- Mortise Guides **102N**
- Polypropylene Guide Rail **EPD3BL For Use With WOODGUIDE**



NOTE: Alternate route dimension when using optional EPD3BL

800-346-7707 | www.pemko.com

Check the web site for the up-to-date catalog

Copyright © 2017, Pemko Manufacturing Co., an ASSA ABLOY Group company. All rights reserved. Reproduction in whole or in part without the express written permission of Pemko Manufacturing Co. is prohibited.

ASSA ABLOY

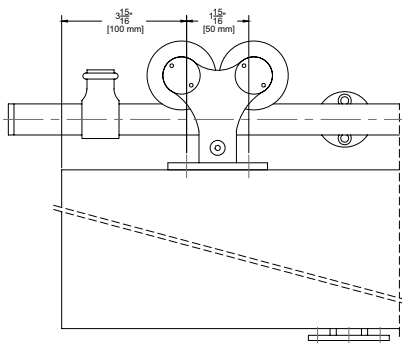
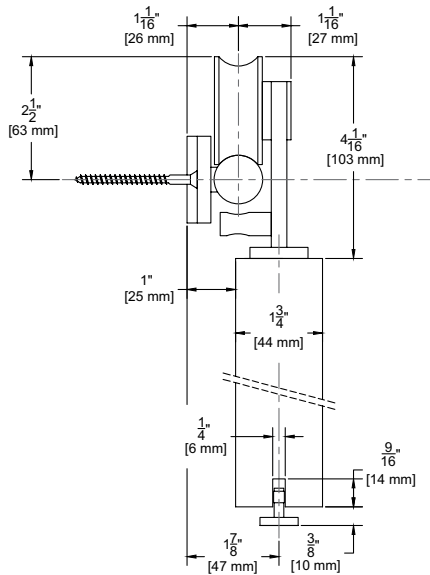
The global leader in door opening solutions

Stainless Steel Sliding Track Hardware System

W70 Series for Wood Doors



For Sliding Panels up to 240 lbs.



Configurations:

- Single
- Bi-parting

Installations:

- Side Wall Mount (only)

Features:

- Made of 304 stainless steel
- Nylon coated stainless steel wheel for smooth operation
- 240 lb. panel capacity
- 5 year warranty

Finishes:

- Brushed Stainless Steel (W70)
- Dark Bronze Stainless Steel (W70D)
- Polished Stainless Steel (W70P)

W70 Kits Include:

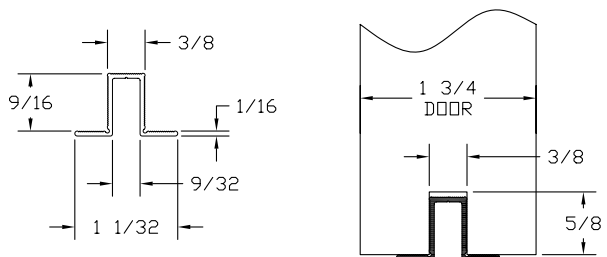
- 1 ea **BAR/_** Stainless Steel Track
- **BRACKET2** Stainless Steel Wall Brackets
- 2 ea **72** Stainless Steel Hangers
- 1 ea **WOODGUIDE** Stainless Steel Guide
- 2 ea **STOP2** Stainless Steel Stops Mounting Hardware

NOTE: If ordering individual parts in the optional Dark Bronze or Polished finishes, be sure to include a suffix "D" for Dark Bronze or "P" for Polished Stainless

Standard Kit Sizes			
Part Number	Material	Track Length	Door Width
W70/6	304 Stainless Steel	78 ³ / ₄ "	36"
W70/8	304 Stainless Steel	98 ⁷ / ₁₆ "	48"
W70D/6	304 Dark Bronze Stainless Steel	78 ³ / ₄ "	36"
W70D/8	304 Dark Bronze Stainless Steel	98 ⁷ / ₁₆ "	48"
W70P/6	304 Polished Stainless Steel	78 ³ / ₄ "	36"
W70P/8	304 Polished Stainless Steel	98 ⁷ / ₁₆ "	48"

Options: See page 39

- Bottom Channel **94A**
- Roller Guide **106R/94**
- Mortise Guides **102N**
- Polypropylene Guide Rail **EPD3BL For Use With WOODGUIDE**



NOTE: Alternate route dimension when using optional EPD3BL

ASSA ABLOY

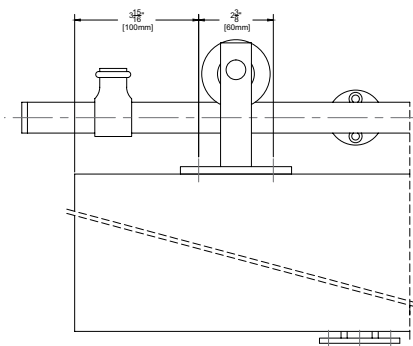
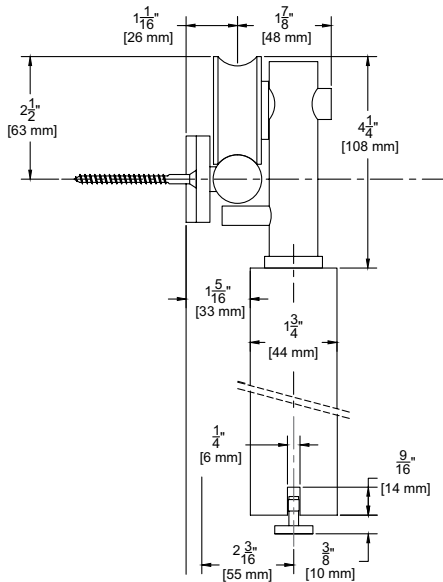
The global leader in door opening solutions

Stainless Steel Sliding Track Hardware System

W80 Series for Wood Doors



For Sliding Panels up to 176 lbs.



Configurations:

- Single
- Bi-parting

Installations:

- Side Wall Mount (only)

Features:

- Made of 304 stainless steel
- Nylon coated stainless steel wheel for smooth operation
- 176 lb. panel capacity
- 5 year warranty

Finishes:

- Brushed Stainless Steel (W80)
- Dark Bronze Stainless Steel (W80D)
- Polished Stainless Steel (W80P)

W80 Kits Include:

- 1 ea **BAR/_** Stainless Steel Track
- **BRACKET2** Stainless Steel Wall Brackets
- 2 ea **82** Stainless Steel Hangers
- 1 ea **WOODGUIDE** Stainless Steel Guide
- 2 ea **STOP2** Stainless Steel Stops Mounting Hardware

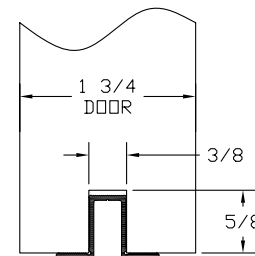
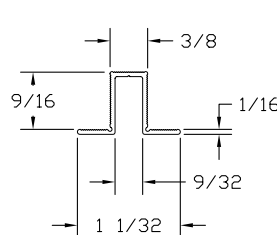
NOTE: If ordering individual parts in the optional Dark Bronze or Polished finishes, be sure to include a suffix "D" for Dark Bronze or "P" for Polished Stainless

Standard Kit Sizes

Part Number	Material	Track Length	Door Width
W80/6	304 Stainless Steel	78 ³ / ₄ "	36"
W80/8	304 Stainless Steel	98 ⁷ / ₁₆ "	48"
W80D/6	304 Dark Bronze Stainless Steel	78 ³ / ₄ "	36"
W80D/8	304 Dark Bronze Stainless Steel	98 ⁷ / ₁₆ "	48"
W80P/6	304 Polished Stainless Steel	78 ³ / ₄ "	36"
W80P/8	304 Polished Stainless Steel	98 ⁷ / ₁₆ "	48"

Options: See page 39

- Bottom Channel **94A**
- Roller Guide **106R/94**
- Mortise Guides **102N**
- Polypropylene Guide Rail **EPD3BL For Use With WOODGUIDE**



NOTE: Alternate route dimension when using optional EPD3BL

800-346-7707 | www.pemko.com

Check the web site for the up-to-date catalog

Copyright © 2017, Pemko Manufacturing Co., an ASSA ABLOY Group company. All rights reserved. Reproduction in whole or in part without the express written permission of Pemko Manufacturing Co. is prohibited.

ASSA ABLOY

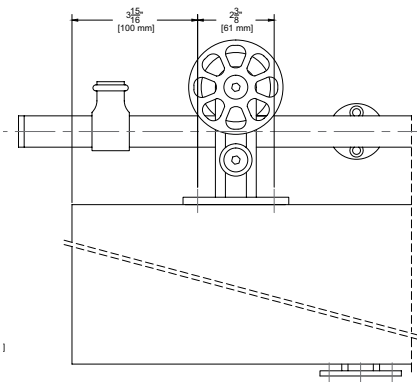
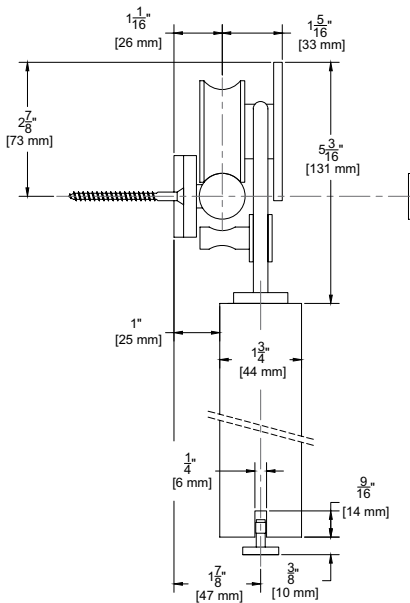
The global leader in door opening solutions

Stainless Steel Sliding Track Hardware System

W90 Series for Wood Doors



For Sliding Panels up to 176 lbs.



Configurations:

- Single
- Bi-parting

Installations:

- Side Wall Mount (only)

Features:

- Made of 304 stainless steel
- Nylon coated stainless steel wheel for smooth operation
- 176 lb. panel capacity
- 5 year warranty

Finishes:

- Brushed Stainless Steel (W90)
- Dark Bronze Stainless Steel (W90D)
- Polished Stainless Steel (W90P)

W90 Kits Include:

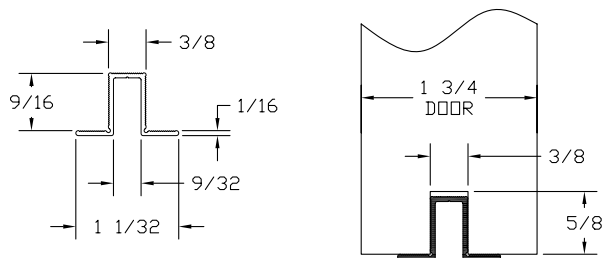
- 1 ea **BAR/_** Stainless Steel Track
- **BRACKET2** Stainless Steel Wall Brackets
- 2 ea **92** Stainless Steel Hangers
- 1 ea **WOODGUIDE** Stainless Steel Guide
- 2 ea **STOP2** Stainless Steel Stops Mounting Hardware

NOTE: If ordering individual parts in the optional Dark Bronze or Polished finishes, be sure to include a suffix "D" for Dark Bronze or "P" for Polished Stainless

Standard Kit Sizes			
Part Number	Material	Track Length	Door Width
W90/6	304 Stainless Steel	78 ³ / ₄ "	36"
W90/8	304 Stainless Steel	98 ⁷ / ₁₆ "	48"
W90D/6	304 Dark Bronze Stainless Steel	78 ³ / ₄ "	36"
W90D/8	304 Dark Bronze Stainless Steel	98 ⁷ / ₁₆ "	48"
W90P/6	304 Polished Stainless Steel	78 ³ / ₄ "	36"
W90P/8	304 Polished Stainless Steel	98 ⁷ / ₁₆ "	48"

Options: See page 39

- Bottom Channel **94A**
- Roller Guide **106R/94**
- Mortise Guides **102N**
- Polypropylene Guide Rail **EPD3BL For Use With WOODGUIDE**



NOTE: Alternate route dimension when using optional EPD3BL

ASSA ABLOY

The global leader in door opening solutions

800-346-7707 | www.pemko.com
Check the web site for the up-to-date catalog

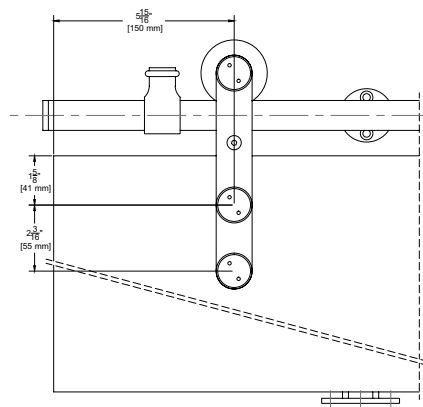
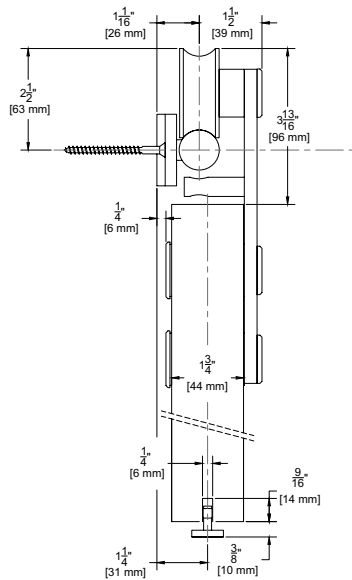
Copyright © 2017, Pemko Manufacturing Co., an ASSA ABLOY Group company. All rights reserved. Reproduction in whole or in part without the express written permission of Pemko Manufacturing Co. is prohibited.

Stainless Steel Sliding Track Hardware System

W100 Series for Wood Doors



For Sliding Panels up to 198 lbs.



Configurations:

- Single
- Bi-parting

Installations:

- Side Wall Mount (only)

Features:

- Made of 304 stainless steel
- Nylon coated stainless steel wheel for smooth operation
- 198 lb. panel capacity
- 5 year warranty

Finishes:

- Brushed Stainless Steel (W100)
- Dark Bronze Stainless Steel (W100D)
- Polished Stainless Steel (W100P)

W100 Kits Include:

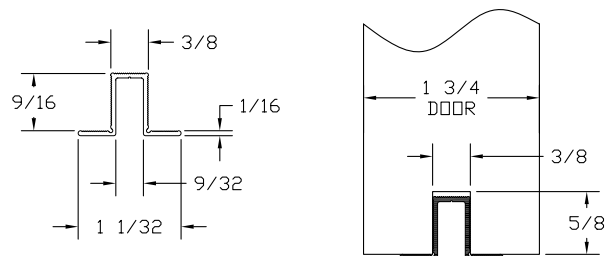
- 1 ea **BAR/_** Stainless Steel Track
- **BRACKET2** Stainless Steel Wall Brackets
- 2 ea **111** Stainless Steel Hangers
- 1 ea **WOODGUIDE** Stainless Steel Guide
- 2 ea **STOP2** Stainless Steel Stops Mounting Hardware

NOTE: If ordering individual parts in the optional Dark Bronze or Polished finishes, be sure to include a suffix "D" for Dark Bronze or "P" for Polished Stainless

Standard Kit Sizes			
Part Number	Material	Track Length	Door Width
W100/6	304 Stainless Steel	78 ³ / ₄ "	36"
W100/8	304 Stainless Steel	98 ⁷ / ₁₆ "	48"
W100D/6	304 Dark Bronze Stainless Steel	78 ³ / ₄ "	36"
W100D/8	304 Dark Bronze Stainless Steel	98 ⁷ / ₁₆ "	48"
W100P/6	304 Polished Stainless Steel	78 ³ / ₄ "	36"
W100P/8	304 Polished Stainless Steel	98 ⁷ / ₁₆ "	48"

Options: See page 39

- Bottom Channel **94A**
- Roller Guide **106R/94**
- Mortise Guides **102N**
- Polypropylene Guide Rail **EPD3BL For Use With WOODGUIDE**



NOTE: Alternate route dimension when using optional EPD3BL

800-346-7707 | www.pemko.com

Check the web site for the up-to-date catalog

Copyright © 2017, Pemko Manufacturing Co., an ASSA ABLOY Group company. All rights reserved. Reproduction in whole or in part without the express written permission of Pemko Manufacturing Co. is prohibited.

ASSA ABLOY

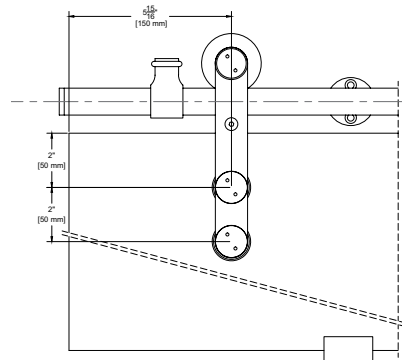
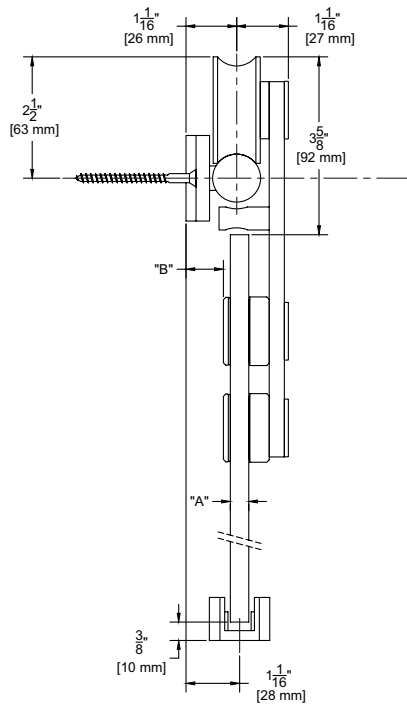
The global leader in door opening solutions

Stainless Steel Sliding Track Hardware System

G60 Series for Glass Doors



For Sliding Panels up to 198 lbs.



Configurations:

- Single
- Bi-parting

Installations:

- Side Wall Mount (only)

Features:

- Made of 304 stainless steel
- Nylon coated stainless steel wheel for smooth operation
- 198 lb. panel capacity
- 5 year warranty

Finishes:

- Brushed Stainless Steel (G60)
- Dark Bronze Stainless Steel (G60D)
- Polished Stainless Steel (G60P)

G60 Kits Include:

- 1 ea **BAR/_** Stainless Steel Track
- **BRACKET2** Stainless Steel Wall Brackets
- 2 ea **12** Stainless Steel Hangers
- 1 ea **GLASSGUIDE** Stainless Steel Guide
- 2 ea **STOP2** Stainless Steel Stops Mounting Hardware

NOTE: If ordering individual parts in the optional Dark Bronze or Polished finishes, be sure to include a suffix "D" for Dark Bronze or "P" for Polished Stainless

Standard Kit Sizes			
Part Number	Material	Track Length	Door Width
G60/6	304 Stainless Steel	78 3/4"	36"
G60/8	304 Stainless Steel	98 7/16"	48"
G60D/6	304 Dark Bronze Stainless Steel	78 3/4"	36"
G60D/8	304 Dark Bronze Stainless Steel	98 7/16"	48"
G60P/6	304 Polished Stainless Steel	78 3/4"	36"
G60P/8	304 Polished Stainless Steel	98 7/16"	48"

Glass Thickness "A"	Distance from Wall "B"
3/8"	3/4"
1/2"	5/8"

ASSA ABLOY

The global leader in door opening solutions

800-346-7707 | www.pemko.com
Check the web site for the up-to-date catalog

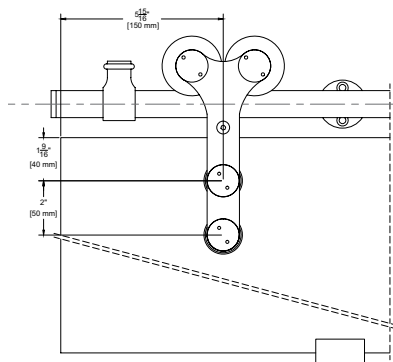
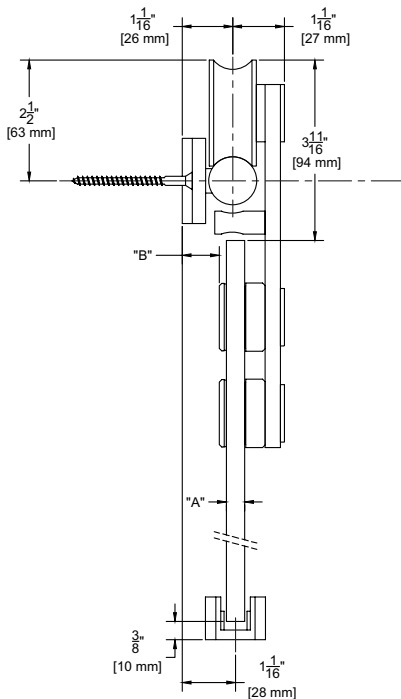
Copyright © 2017, Pemko Manufacturing Co., an ASSA ABLOY Group company. All rights reserved. Reproduction in whole or in part without the express written permission of Pemko Manufacturing Co. is prohibited.

Stainless Steel Sliding Track Hardware System

G70 Series for Glass Doors



For Sliding Panels up to 240 lbs.



Configurations:

- Single
- Bi-parting

Installations:

- Side Wall Mount (only)

Features:

- Made of 304 stainless steel
- Nylon coated stainless steel wheel for smooth operation
- 240 lb. panel capacity
- 5 year warranty

Finishes:

- Brushed Stainless Steel (G70)
- Dark Bronze Stainless Steel (G70D)
- Polished Stainless Steel (G70P)

G70 Kits Include:

- 1 ea **BAR/_** Stainless Steel Track
- **BRACKET2** Stainless Steel Wall Brackets
- 2 ea **32** Stainless Steel Hangers
- 1 ea **GLASSGUIDE** Stainless Steel Guide
- 2 ea **STOP2** Stainless Steel Stops Mounting Hardware

NOTE: If ordering individual parts in the optional Dark Bronze or Polished finishes, be sure to include a suffix "D" for Dark Bronze or "P" for Polished Stainless

Standard Kit Sizes			
Part Number	Material	Track Length	Door Width
G70/6	304 Stainless Steel	78 ³ / ₄ "	36"
G70/8	304 Stainless Steel	98 ⁷ / ₁₆ "	48"
G70D/6	304 Dark Bronze Stainless Steel	78 ³ / ₄ "	36"
G70D/8	304 Dark Bronze Stainless Steel	98 ⁷ / ₁₆ "	48"
G70P/6	304 Polished Stainless Steel	78 ³ / ₄ "	36"
G70P/8	304 Polished Stainless Steel	98 ⁷ / ₁₆ "	48"

Options: See page 39

Alternate Stop **STOP1**

Glass Thickness "A"	Distance from Wall "B"
3/8"	3/4"
1/2"	5/8"

800-346-7707 | www.pemko.com

Check the web site for the up-to-date catalog

Copyright © 2017, Pemko Manufacturing Co., an ASSA ABLOY Group company. All rights reserved. Reproduction in whole or in part without the express written permission of Pemko Manufacturing Co. is prohibited.

ASSA ABLOY

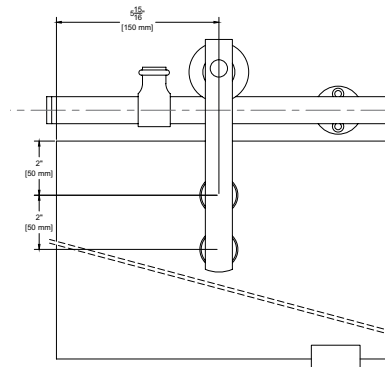
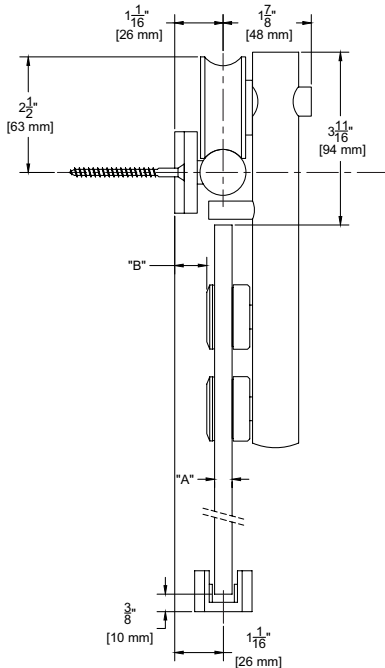
The global leader in door opening solutions

Stainless Steel Sliding Track Hardware System

G80 Series for Glass Doors



For Sliding Panels up to 198 lbs.



Configurations:

- Single
- Bi-parting

Installations:

- Side Wall Mount (only)

Features:

- Made of 304 stainless steel
- Nylon coated stainless steel wheel for smooth operation
- 198 lb. panel capacity
- 5 year warranty

Finishes:

- Brushed Stainless Steel (G80)
- Dark Bronze Stainless Steel (G80D)
- Polished Stainless Steel (G80P)

G80 Kits Include:

- 1 ea **BAR/_** Stainless Steel Track
- **BRACKET2** Stainless Steel Wall Brackets
- 2 ea **22** Stainless Steel Hangers
- 1 ea **GLASSGUIDE** Stainless Steel Guide
- 2 ea **STOP2** Stainless Steel Stops Mounting Hardware

NOTE: If ordering individual parts in the optional Dark Bronze or Polished finishes, be sure to include a suffix "D" for Dark Bronze or "P" for Polished Stainless

Standard Kit Sizes			
Part Number	Material	Track Length	Door Width
G80/6	304 Stainless Steel	78 3/4"	36"
G80/8	304 Stainless Steel	98 7/16"	48"
G80D/6	304 Dark Bronze Stainless Steel	78 3/4"	36"
G80D/8	304 Dark Bronze Stainless Steel	98 7/16"	48"
G80P/6	304 Polished Stainless Steel	78 3/4"	36"
G80P/8	304 Polished Stainless Steel	98 7/16"	48"

Glass Thickness "A"	Distance from Wall "B"
3/8"	11/16"
1/2"	9/16"

ASSA ABLOY

The global leader in door opening solutions

800-346-7707 | www.pemko.com
Check the web site for the up-to-date catalog

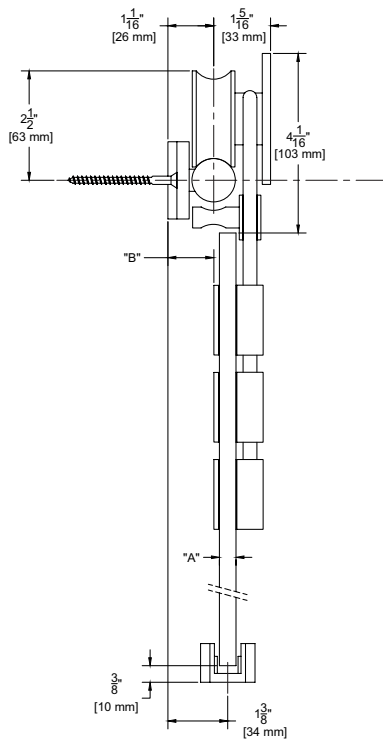
Copyright © 2017, Pemko Manufacturing Co., an ASSA ABLOY Group company. All rights reserved. Reproduction in whole or in part without the express written permission of Pemko Manufacturing Co. is prohibited.

Stainless Steel Sliding Track Hardware System

G90 Series for Glass Doors



For Sliding Panels up to 198 lbs.



Configurations:

- Single
- Bi-parting

Installations:

- Side Wall Mount (only)

Features:

- Made of 304 stainless steel
- Nylon coated stainless steel wheel for smooth operation
- 198 lb. panel capacity
- 5 year warranty

Finishes:

- Brushed Stainless Steel (G90)
- Dark Bronze Stainless Steel (G90D)
- Polished Stainless Steel (G90P)

G90 Kits Include:

- 1 ea **BAR/_** Stainless Steel Track
- **BRACKET2** Stainless Steel Wall Brackets
- 2 ea **42** Stainless Steel Hangers
- 1 ea **GLASSGUIDE** Stainless Steel Guide
- 2 ea **STOP2** Stainless Steel Stops Mounting Hardware

NOTE: If ordering individual parts in the optional Dark Bronze or Polished finishes, be sure to include a suffix "D" for Dark Bronze or "P" for Polished Stainless

Standard Kit Sizes

Part Number	Material	Track Length	Door Width
G90/6	304 Stainless Steel	78 ³ / ₄ "	36"
G90/8	304 Stainless Steel	98 ⁷ / ₁₆ "	48"
G90D/6	304 Dark Bronze Stainless Steel	78 ³ / ₄ "	36"
G90D/8	304 Dark Bronze Stainless Steel	98 ⁷ / ₁₆ "	48"
G90P/6	304 Polished Stainless Steel	78 ³ / ₄ "	36"
G90P/8	304 Polished Stainless Steel	98 ⁷ / ₁₆ "	48"

Glass Thickness "A"	Distance from Wall "B"
3/8"	1 1/16"
1/2"	15/16"

800-346-7707 | www.pemko.com

Check the web site for the up-to-date catalog

Copyright © 2017, Pemko Manufacturing Co., an ASSA ABLOY Group company. All rights reserved. Reproduction in whole or in part without the express written permission of Pemko Manufacturing Co. is prohibited.

ASSA ABLOY

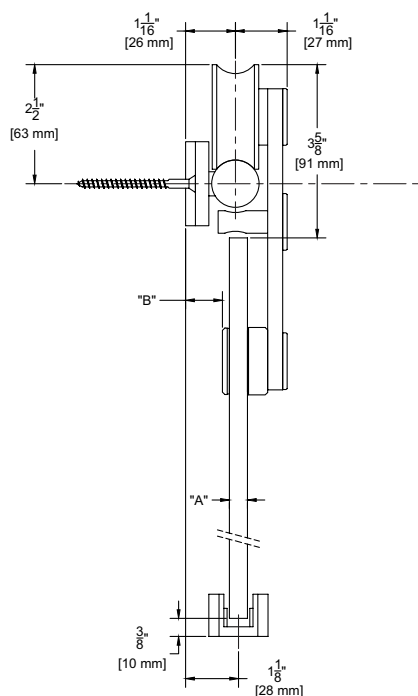
The global leader in door opening solutions

Stainless Steel Sliding Track Hardware System

G100 Series for Glass Doors



For Sliding Panels up to 198 lbs.



Configurations:

- Single
- Bi-parting

Installations:

- Side Wall Mount (only)

Features:

- Made of 304 stainless steel
- Nylon coated stainless steel wheel for smooth operation
- 198 lb. panel capacity
- 5 year warranty

Finishes:

- Brushed Stainless Steel (G100)
- Dark Bronze Stainless Steel (G100D)
- Polished Stainless Steel (G100P)

G100 Kits Include:

- 1 ea **BAR/_** Stainless Steel Track
- **BRACKET2** Stainless Steel Wall Brackets
- 2 ea **52** Stainless Steel Hangers
- 1 ea **GLASSGUIDE** Stainless Steel Guide
- 2 ea **STOP2** Stainless Steel Stops Mounting Hardware

NOTE: If ordering individual parts in the optional Dark Bronze or Polished finishes, be sure to include a suffix "D" for Dark Bronze or "P" for Polished Stainless

Standard Kit Sizes			
Part Number	Material	Track Length	Door Width
G100/6	304 Stainless Steel	78 ³ / ₄ "	36"
G100/8	304 Stainless Steel	98 ⁷ / ₁₆ "	48"
G100D/6	304 Dark Bronze Stainless Steel	78 ³ / ₄ "	36"
G100D/8	304 Dark Bronze Stainless Steel	98 ⁷ / ₁₆ "	48"
G100P/6	304 Polished Stainless Steel	78 ³ / ₄ "	36"
G100P/8	304 Polished Stainless Steel	98 ⁷ / ₁₆ "	48"

Glass Thickness "A"	Distance from Wall "B"
3/8"	3/4"
1/2"	5/8"

ASSA ABLOY

The global leader in door opening solutions

800-346-7707 | www.pemko.com
Check the web site for the up-to-date catalog

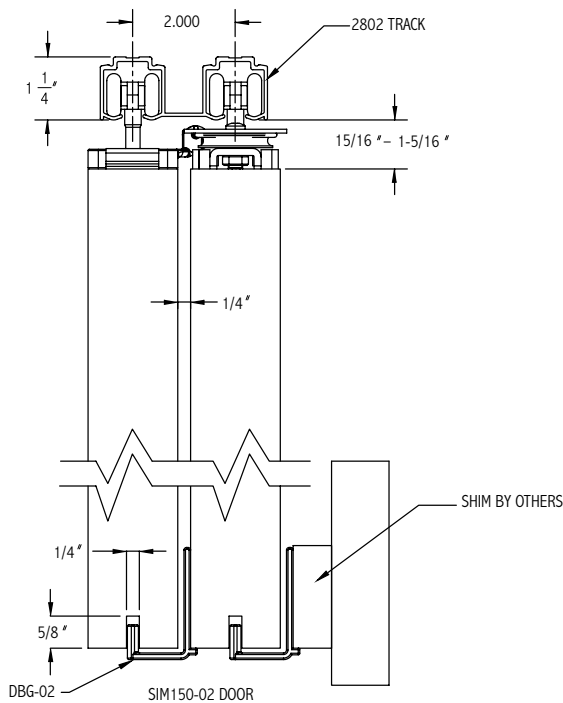
Copyright © 2017, Pemko Manufacturing Co., an ASSA ABLOY Group company. All rights reserved. Reproduction in whole or in part without the express written permission of Pemko Manufacturing Co. is prohibited.

Simultaneous Acting Sliding Door System

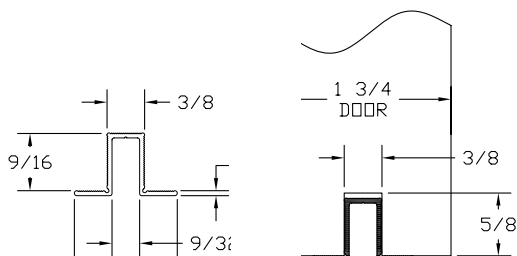
SIM 150 for 2 Door Systems



For Sliding Panels up to 176 lbs.



Alternate Route for EPD3BL



Configurations:

- Bi-part Telescoping

Installations:

- Overhead Mount

Features:

- Easy to install with self aligning components
- Telescoping panels glide along the track
- Doors retract into storage pockets when not in use
- 5 year warranty

Finishes:

- Clear (C)
- Dark Bronze (D)

Pulley System Kit Includes:

- Pre-Assembled Pulley System
- In-Track Stops and Hangers
- Door Bottom Guides
- Floor Stops, Back Stop and End Plates
- Installation Fasteners

Single Extrusion Aluminum Track must be ordered separately.

Specify door width when ordering. Default door overlap is 3". Any other overlap must be specified (Min. overlap is 2").

Pulley System Kits	
Part Number	Door Width
SIM150-2-LH/25-32	25" - 32"
SIM150-2-LH/33-40	33" - 40"
SIM150-2-LH/41-48	41" - 48"
SIM150-2-RH/25-32	25" - 32"
SIM150-2-RH/33-40	33" - 40"
SIM150-2-RH/41-48	41" - 48"

System Track		
Track	Finish	Track Length
2802C	Clear	up to 147"
2802D	Dark	up to 185"

Options:

- Lock Kit- includes lock with edge pull, and cup pull, **SIM150-LOCKKIT**
- Bolt Kit- includes surface bolt, dust-proof strike, cup pull, and edge pull, **SIM150-BOLTKIT**

Snap-on Fascia Available **F134**

Polypropylene Guide Rail **EPD3BL**

800-346-7707 | www.pemko.com

Check the web site for the up-to-date catalog

Copyright © 2017, Pemko Manufacturing Co., an ASSA ABLOY Group company. All rights reserved. Reproduction in whole or in part without the express written permission of Pemko Manufacturing Co. is prohibited.

ASSA ABLOY

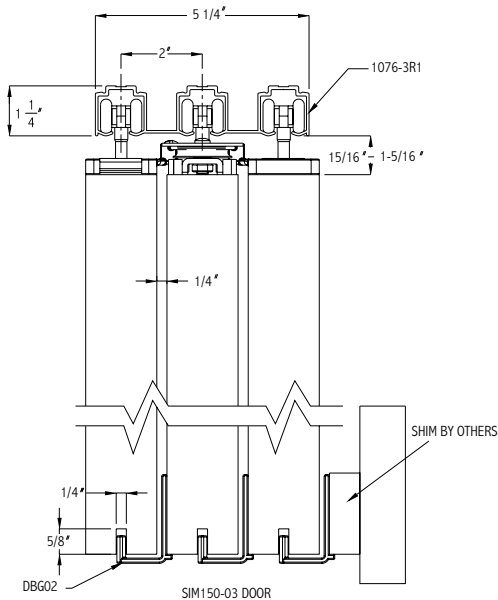
The global leader in door opening solutions

Simultaneous Acting Sliding Door System

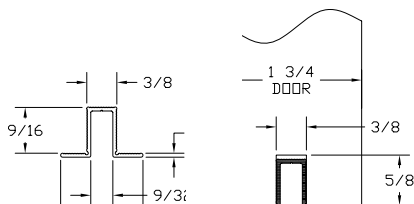
SIM 150 for 3 Door Systems



For Sliding Panels up to 176 lbs.



Alternate Route for EPD3BL



Configurations:

- Bi-part Telescoping

Installations:

- Overhead Mount

Features:

- Easy to install with self aligning components
- Telescoping panels glide along the track
- Doors retract into storage pockets when not in use
- 5 year warranty

Finishes:

- Clear (C)
- Dark Bronze (D)

Pulley System Kit Includes:

- Pre-Assembled Pulley System
- In-Track Stops and Hangers
- Door Bottom Guides
- Floor Stops, Back Stop and End Plates
- Installation Fasteners

Single Extrusion Aluminum Track must be ordered separately.

Specify door width when ordering. Default door overlap is 3". Any other overlap must be specified (Min. overlap is 2").

Pulley System Kits

Part Number	Door Width
SIM150-3-LH/25-32	25" - 32"
SIM150-3-LH/33-40	33" - 40"
SIM150-3-LH/41-48	41" - 48"
SIM150-3-RH/25-32	25" - 32"
SIM150-3-RH/33-40	33" - 40"
SIM150-3-RH/41-48	41" - 48"

System Track

Track	Finish	Track Length
2803C	Clear	up to 185"
2803D	Dark	up to 185"

Options:

Lock Kit- includes lock with edge pull, and cup pull, **SIM150-LOCKKIT**

Bolt Kit- includes surface bolt, dust-proof strike, cup pull, and edge pull, **SIM150-BOLTKIT**

Snap-on Fascia Available **F134**

Polypropylene Guide Rail **EPD3BL**

ASSA ABLOY

The global leader in door opening solutions

Options & Accessories

A visual guide to various parts

Mounting Brackets

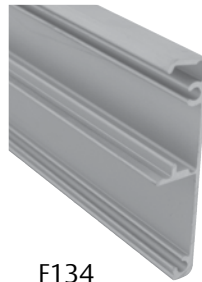


281
(Sold in 5 packs, 2815)

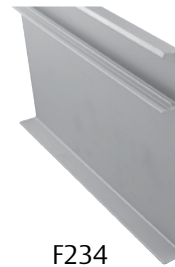


2812

Fascia



F134



F234

End plates



K134EP

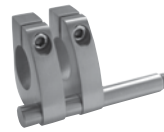
Stops



TELS-14KIT



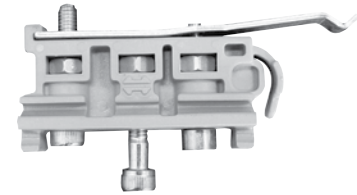
287HD



STOP1
W70 and G70 Kits only



PFBS



601H

Guides



102N



PFBG-4



PFBG-8



106R/94

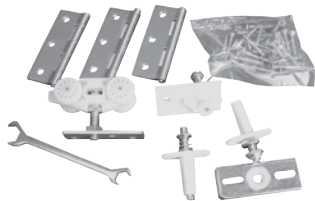


106N/94

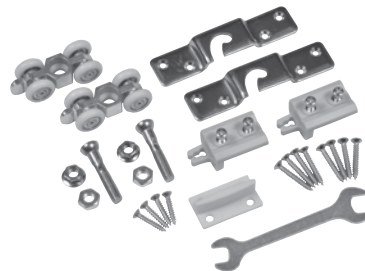


102WA

Hardware Kits



Folding
HF2/100 Pack



Sliding
H200PACK

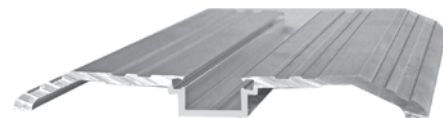
Bottom Channel



94A



2802BT



971A

ASSA ABLOY is the global leader in door opening solutions, dedicated to satisfying end-user needs for security, safety and convenience

ASSA ABLOY



ASSA ABLOY
5535 Distribution Drive
Memphis, TN 38141
websales@pemko.com • www.pemko.com

MEMPHIS, TN USA
P: 800 824-3018
F: 800 243-3656

VENTURA, CA USA
P: 800 283-9988
F: 800 283-4050

VANCOUVER, BC CA
P: 877 535-7888
F: 877 535-7444

TORONTO, ON CA
P: 877 535-7888
F: 877 535-7444