



The 8000 Series is also available in a **Complete One Box Solution**

8000 Series

The concealed electric strike solution for cylindrical locksets

Shown with 801 Option

The 8000 series is a compact, high performance electric strike featuring a unique concealed design for use with cylindrical locksets. No cutting on the frame is required. Simply remove the existing strike plate, adjust the vertical alignment feature to the latchbolt centerline, and install. Its strength is derived from a unique keeper pin locking design, enabling the 8000 to exceed the ratings of the frame, door and locking hardware. This field selectable fail secure/fail safe unit is easy to install and accommodates latchbolts up to 5/8" throw.



Specifications

- UL 1034, burglary-resistant listed and suitable for outdoor use
- UL 294 (6th Edition) listed
- ANSI/BHMA A156.31, Grade 1
- RoHS compliant
- Patents: 5,934,720; 8,146,966; 8,157,302; 8,465,067

Frame Application

- Metal
- Wood

Electrical

- .24 Amps at 12 VDC/VAC
- .12 Amps at 24 VDC/VAC
- DC continuous duty/ AC intermittent duty only
- PoE friendly

8000 Models

8000	Universal electric strike	Faceplate options ordered separately, see page 38
8000C	Complete electric strike	Includes the 801 and 801A faceplates
RF8010	Integrated Prox	Includes the strike body, Prox reader and door position switch
IC8020	Integrated iCLASS®	Includes the strike body, iCLASS reader and door position switch

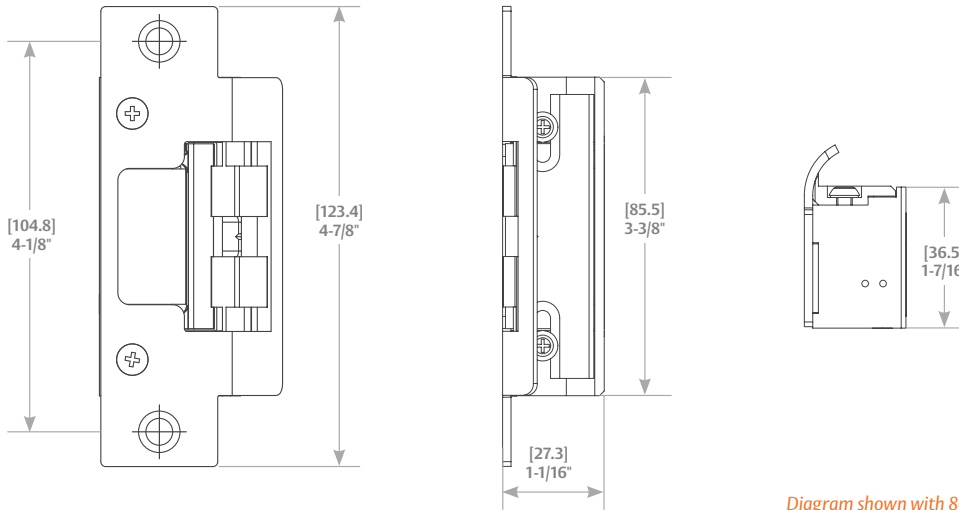


Diagram shown with 801 Option

Standard Features

- No cutting on frame required
- Vertical adjustability to accommodate door sag and misalignment
- Tamper-resistant
- Static strength 1,500 lbs.
- Dynamic strength 70 ft-lbs.
- Endurance 500,000 cycles
- Field selectable fail secure/fail safe
- Dual-voltage 12 or 24 VDC/VAC
- Non-handed
- Internally mounted solenoid
- Accommodates 1/2" – 5/8" cylindrical latchbolt (5/8" with 1/8" door gap)

- Strike body depth 1-1/16"
- Strike body width 1-7/16"
- Five-year limited warranty

Optional Features

LBM » Latchbolt monitor

Accessories

2001M » Plug-in bridge rectifier

2004M » ElectroLynx® adapter

2005M3 » SMART Pac® III

2006M » Plug-in buzzer

Finishes

630 » Satin stainless

605 » Bright brass

606 » Satin brass

612 » Satin bronze

613 » Bronze toned

629 » Bright stainless steel

BLK » Black

*Complete Pacs are only available in the 630 finish



CYLINDRICAL
LOCKSETS



FIELD SELECTABLE
(12 OR 24VDC)



FIELD SELECTABLE
(FAIL SECURE/
FAIL SAFE)



GRADE 1



OUTDOOR
RATED



UL 1034
BURGLARY
LISTED

hes
ASSA ABLOY

8000/8300 Series Faceplate Options



Operation: After releasing the latchbolt, the keeper returns to the locked position



4-7/8" × 1-1/4"

801 Option

For use with: Cylindrical locksets in ANSI metal jambs, with latchbolts up to 5/8" throw

» ANSI/BHMA Numbers: E05031, E09321, E09322, E09323



4-7/8" × 1-1/4"

Radius corners and flat faceplate

801A Option

For use with: Cylindrical locksets with latchbolts up to 5/8" throw. Includes universal mounting tabs. Aluminum frames.

» ANSI/BHMA Numbers: E05031, E09321, E09322, E09323



4-7/8" × 1-1/4"

Extended lip

801E Option

For use with: Extended lip for 'knock-down' style frame installations. For use with cylindrical latchbolts up to 5/8" throw.

» ANSI/BHMA Numbers: E05031, E09321, E09322, E09323



7-15/16" × 1-7/16"

802 Option

For use with: Cylindrical locksets with latchbolts up to 5/8" throw. Includes universal mounting tabs. Aluminum frames.

» ANSI/BHMA Numbers: E05031, #E09321, E09322, E09323



6-7/8" × 1-1/4"

Radius corners and flat faceplate

803 Option

For use with: Cylindrical locksets with latchbolts up to 5/8" throw. Includes universal mounting tabs. Aluminum frames.

» ANSI/BHMA Numbers: E05031, E09321, E09322, E09323



9" × 1-3/8"

Radius corners and flat faceplate

805 Option

For use with: Cylindrical locksets. For use with latchbolts up to 5/8" throw. Four point mounting for wood installations.

» ANSI/BHMA Numbers: #E05031, #E09321, #E09322, #E09323



"For use with" information is offered as a recommendation only. Reference should be made to the lockset manufacturer for proper installation instructions necessary to meet compatibility requirements.

Reduce your install time by evaluating your opening

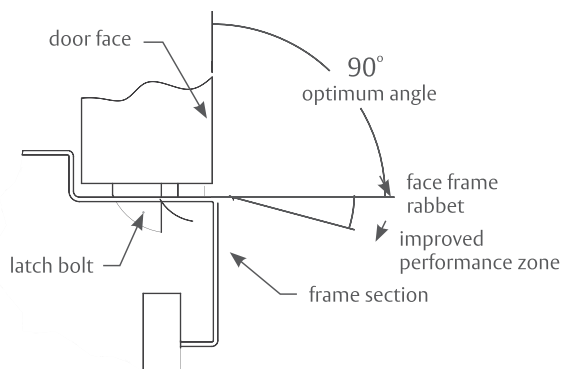


Figure 1

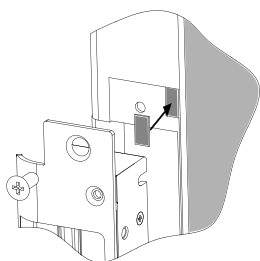


Figure 2

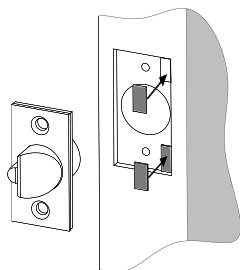


Figure 3

The 8000/8300 can be adjusted to compensate for frame and door irregularities. Sometimes, adjusting the frame and door back to industry standards is just not an option. Here are some tips to quickly compensate for frame twist and determine the condition of the latch bolt.

Measure Frame Twist

One way to measure frame twist is to place a carpenter square on the stop and the face of the door. If the angle is less than 90 degrees, the 45 degree ramp angle of the 8000/8300 is steepened and may need to be corrected as shown at left (Figure 1).

We recommend you check the condition of the latch bolt prior to installing the 8000/8300. Poorly constructed, worn out or damaged latch bolts may not slide along a ramp at any angle. To check the condition of your latch bolt, we recommend applying a slight force to the tip of the latch bolt (about 45 degrees to the door face). Make sure the latch bolt can be pushed up into the door.

Compensate for Frame Twist

When a frame is twisted, the relationship between the face of a closed door and of the inside face of the frame (i.e., Rabbet) may not meet the 90 degree industry standard. Untrue frames and doors impact latch bolt wear and the force required to exit, so we recommend you ensure that the angle is between 90–95 degrees.

If manipulating the frame is not possible, we recommend placing several shims under the top and bottom (stop side) of the faceplate (Figure 2). This effectively increases the 8000/8300 ramp angle and compensates for frame twist. You can also compensate for frame twist by placing shims under the top and bottom (bevel side) of the latchbolt (Figure 3).