



Safety Technology International, Inc.
 2306 Airport Road • Waterford, Michigan 48327-1209
 Phone: 248-673-9898 • Fax: 248-673-1246
 Toll Free: 800-888-4784 • E-mail: info@sti-usa.com
 Web: www.sti-usa.com

Safety Technology International (Europe) Ltd.
 Unit 49G Pipers Road • Park Farm Industrial Estate • Redditch
 Worcestershire • B98 0HU • England
 Tel: 44 (0) 1527 520 999 • Fax: 44 (0) 1527 501 999
 E-mail: info@sti-europe.com • Web: www.sti-europe.com

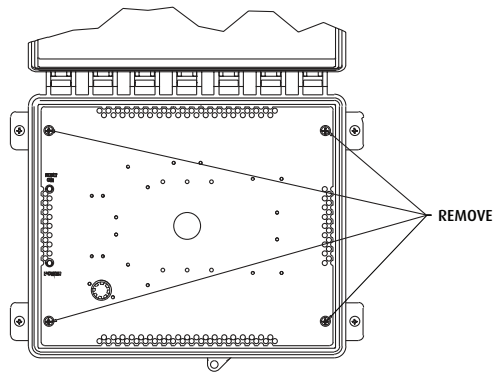
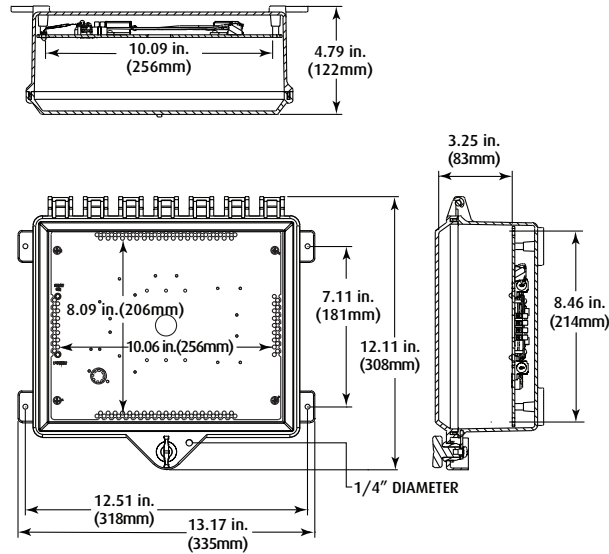


ILLUSTRATION 1

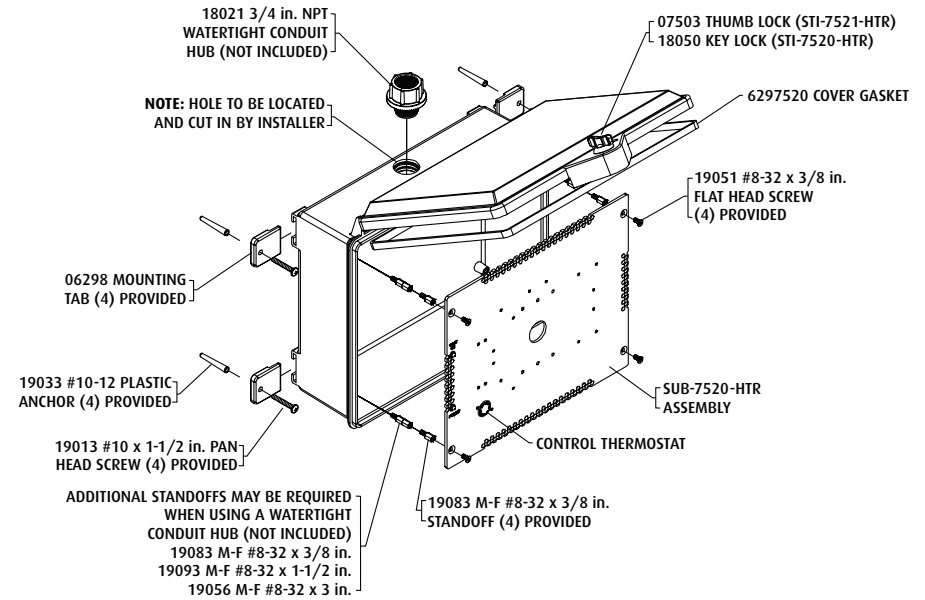


ILLUSTRATION 2

INSTALLATION INSTRUCTIONS

1. Remove heater plate assembly (Illustration 1) from back box by removing 4 flat head screws and set aside.
2. Mount back box and cover assembly in desired position. With hinges horizontal or vertical, insert the (4) mounting tabs into the back box slots (see Illustration 2). Mark and drill (4) 1/4" diameter holes 1 1/4" deep. Insert plastic anchors and screw back box to wall with (4) #10 x 1 1/2" screws.
3. Route wires for heater and appliance into back box through conduit or small hole properly sealed.

Electronic warranty form at www.sti-usa.com/wc14

INSTALLATION OF HEATED PROTECTIVE CABINETS STI-7520-HTR, STI-7521-HTR

All specifications and information shown were current as of publication, and are subject to change without notice.

7520-HTR IS JAN 2010





Safety Technology International, Inc.
2306 Airport Road • Waterford, Michigan 48327-1209
Phone: 248-673-9898 • Fax: 248-673-1246
Toll Free: 800-888-4784 • E-mail: info@sti-usa.com
Web: www.sti-usa.com

Safety Technology International (Europe) Ltd.
Unit 49G Pipers Road • Park Farm Industrial Estate • Redditch
Worcestershire • B98 0HU • England
Tel: 44 (0) 1527 520 999 • Fax: 44 (0) 1527 501 999
E-mail: info@sti-europe.com • Web: www.sti-europe.com

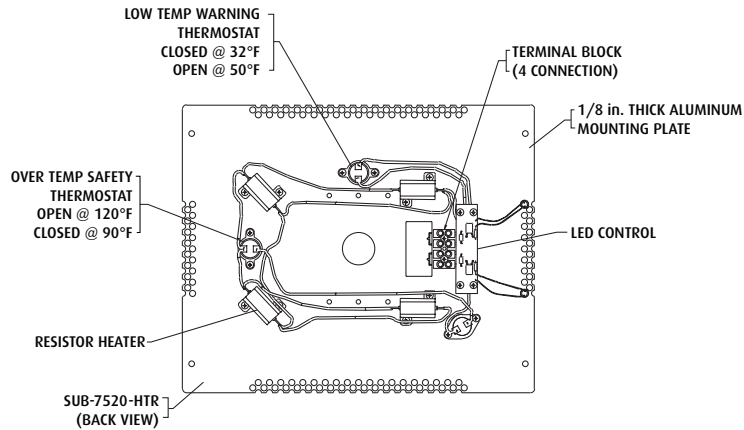


ILLUSTRATION 3

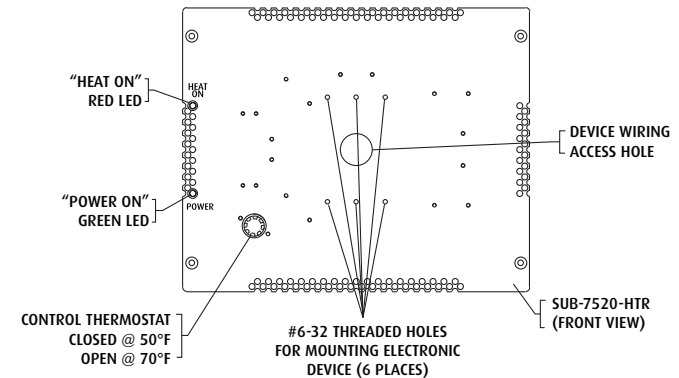


ILLUSTRATION 4

4. Connect heater power and control wires.
 - a. Connect low temperature monitor terminals to supervisory panel if used (see Illustration 3).
 - b. Connect power terminals to power source. 12-24 volt AC/DC.
 - Heating capacity is determined by input voltage. Be sure the power source has enough capacity to support the load at the input voltage.
 - 12 Volt, 19 WATTS
 - 16.5 Volt, 36 WATTS
 - 24 Volt, 77 WATTS
 - 16.5 VAC adapter included

5. Mount the heater plate assembly to the back box with control thermostat toward bottom of enclosure (see Illustration 2). Be sure to route wires for electronic device through the hole in the center of the heater plate before attaching heater plate. For vertical mounting (hinges to right or left side) be sure control thermostat is towards the bottom of the enclosure.
6. Connect the electronic device and mount to the heater plate in mounting holes indicated using #6 - 32 x 1/2" screws (2) provided.

NOTE: If moisture buildup occurs, drill a weep hole on bottom side of back box.