



Safety Technology International, Inc.  
 2306 Airport Road • Waterford, Michigan 48327-1209  
 Phone: 248-673-9898 • Fax: 248-673-1246  
 Toll Free: 800-888-4784 • E-mail: info@sti-usa.com  
 Web: www.sti-usa.com

Safety Technology International (Europe) Ltd.  
 Unit 49G Pipers Road • Park Farm Industrial Estate • Redditch  
 Worcestershire • B98 0HU • England  
 Tel: 44 (0) 1527 520 999 • Fax: 44 (0) 1527 501 999  
 E-mail: info@sti-europe.com • Web: www.sti-europe.com

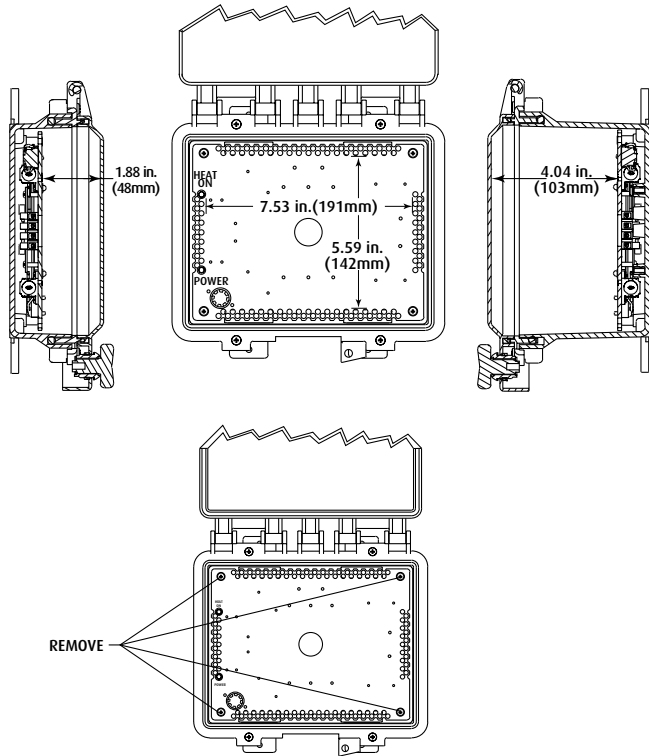


ILLUSTRATION 1

**INSTALLATION INSTRUCTIONS**

1. Remove heater plate assembly (Illustration 1) from back box by removing 4 flat head screws and set aside.
2. Mount back box and cover assembly in desired position. With hinges horizontal or vertical, insert the (4) mounting tabs into the back box slots (see Illustration 2). Mark and drill (4) 1/4" diameter holes 1 1/4" deep. Insert plastic anchors and screw back box to wall with (4) #10 x 1 1/2" screws.
3. Route wires for heater and appliance into back box through conduit or small hole properly sealed.

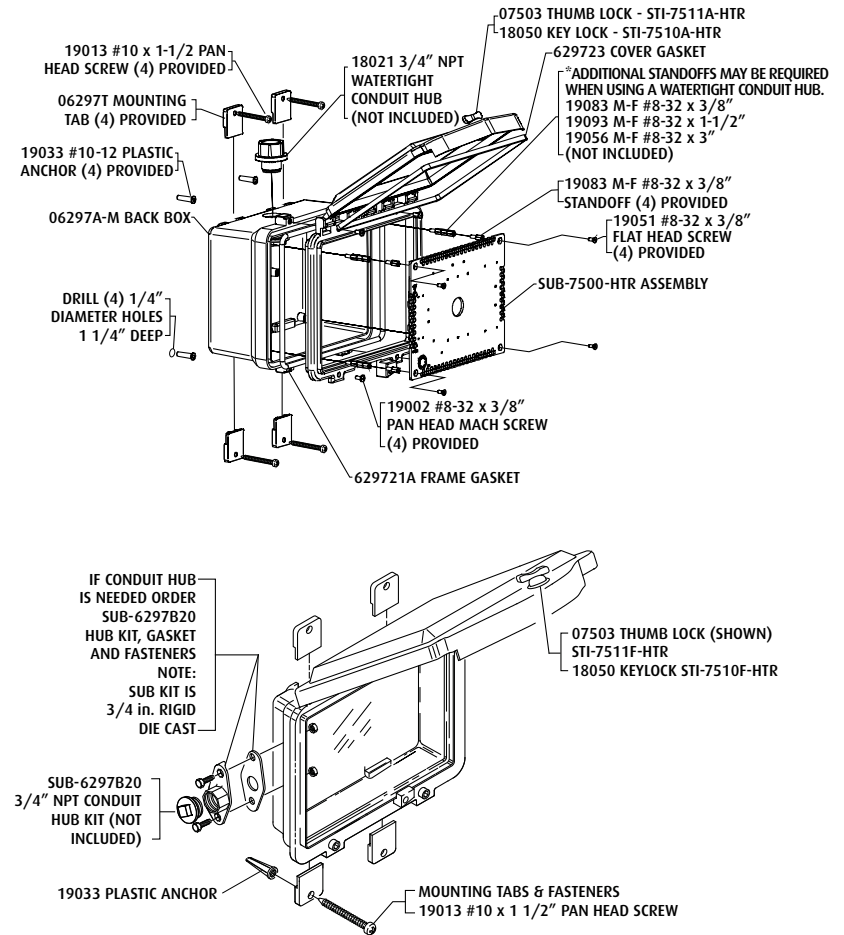


ILLUSTRATION 2

Electronic warranty form at [www.sti-usa.com/wc14](http://www.sti-usa.com/wc14)

**INSTALLATION OF HEATED POLYCARBONATE ENCLOSURE STI-7510A&F-HTR, STI-7511A&F-HTR**

All specifications and information shown were current as of publication, and are subject to change without notice.

7510Ahr IS JULY2007





Safety Technology International, Inc.  
2306 Airport Road • Waterford, Michigan 48327-1209  
Phone: 248-673-9898 • Fax: 248-673-1246  
Toll Free: 800-888-4784 • E-mail: info@sti-usa.com  
Web: www.sti-usa.com

Safety Technology International (Europe) Ltd.  
Unit 49G Pipers Road • Park Farm Industrial Estate • Redditch  
Worcestershire • B98 0HU • England  
Tel: 44 (0) 1527 520 999 • Fax: 44 (0) 1527 501 999  
E-mail: info@sti-europe.com • Web: www.sti-europe.com

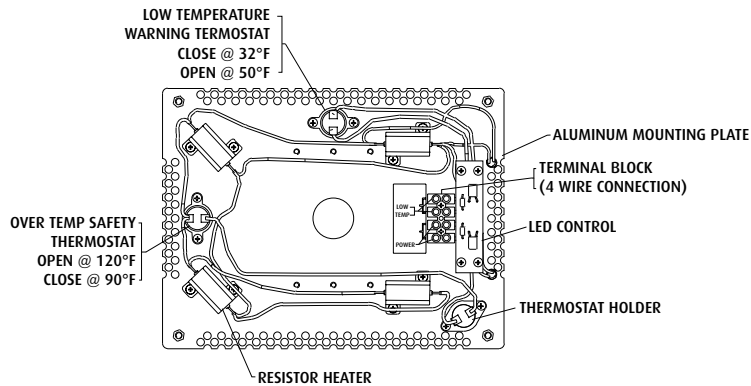


ILLUSTRATION 3

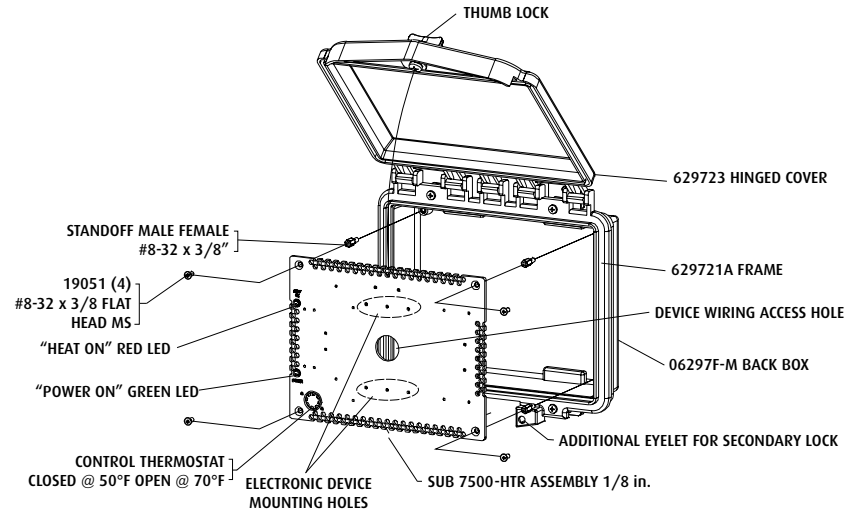


ILLUSTRATION 4

4. Connect heater power and control wires. Note: Terminals are not polarity sensitive.
  - a. Connect low temperature monitor terminals to supervisory panel if used (see Illustration 3).
  - b. Connect power terminals to power source. 12-24 volt AC/DC.
    - Heating capacity is determined by input voltage. Be sure the power source has enough capacity to support the load at the input voltage.  
12 Volt, 19 WATTS  
16.5 Volt, 36 WATTS  
24 Volt, 77 WATTS
    - 16.5 VAC adapter included

5. Mount the heater plate assembly to the back box with control thermostat toward bottom of enclosure (see Illustration 4). Be sure to route wires for electronic device through the hole in the center of the heater plate before attaching heater plate. For vertical mounting (hinges to right or left side) be sure control thermostat is towards the bottom of the enclosure.
6. Connect the electronic device and mount to the heater plate in mounting holes indicated using #6 - 32 x 1/2" screws (2) provided.

**NOTE:** If moisture buildup occurs, drill a weep hole on bottom side of back box.

## INSTALLATION OF HEATED POLYCARBONATE ENCLOSURE STI-7510A&F-HTR, STI-7511A&F-HTR

All specifications and information shown were current as of publication, and are subject to change without notice.