

### 1 Description

The BEA Combo-Plate is two switches in one. The keyswitch and push plate switch can be set up to work independently of each other or the keyswitch can turn off/on the push plate switch, thus, providing an economical way to secure the activation of an automatic door after hours. Both the keyswitch and push plate switch share a 4 1/2" square back plate, making it easy to install in any standard 2-gang electrical box. NOTE: The mortise cylinder is not included with this product.



### 2 Specifications

DESCRIPTION	SPECIFICATION
Key Switch	Single Pull Single Throw / Maintained (10COMBOPLATE) or Momentary Contact (10COMBOPLATEMOM): 6A @ 125 VAC or 3A @ 250 VAC
Push Plate	Cherry Switch: Single Pull Single Throw / Momentary Contact: 15A @ 125V AC
Dimensions	4 1/2" X 4 1/2"

### 3 Precautions



- Shut off all power going to header before attempting any wiring procedures.
- Maintain a clean and safe environment when working in public areas.
- Constantly be aware of pedestrian traffic around the door area.
- Always stop pedestrian traffic through the doorway when performing tests that may result in unexpected reactions by the door.
- ESD electrostatic discharge: Circuit boards are vulnerable to damage by electrostatic discharge. Before handling any board ensure you dissipate your body's charge.
- Always check placement of all wiring before powering up to insure that moving door parts will not catch any wires and cause damage to equipment.
- Ensure compliance with all applicable safety standards (i.e. ANSI A156.10) upon completion of installation.
- DO NOT attempt any internal repair of the sensor. All repairs and/or component replacements must be performed by BEA, Inc. Unauthorized disassembly or repair:
  1. May jeopardize personal safety and may expose one to the risk of electrical shock.
  2. May adversely affect the safe and reliable performance of the product will result in a voided product warranty.

### 4 Pre Installation Check

1. When preparing to wire multiple devices together for a 'system' configuration, it is best to ensure the correct operation of each device independently before starting to help reduce troubleshooting time later in the event of a discrepancy.
2. Prior to installing any equipment, ensure the correct line voltage and stability. When applying equipment on a new installation utilizing new electrical supply circuits, always ensure that correct line voltage exists and is stable. Remember to shut the power back off after this is checked and before performing any wiring to the system.

### 5 Installation

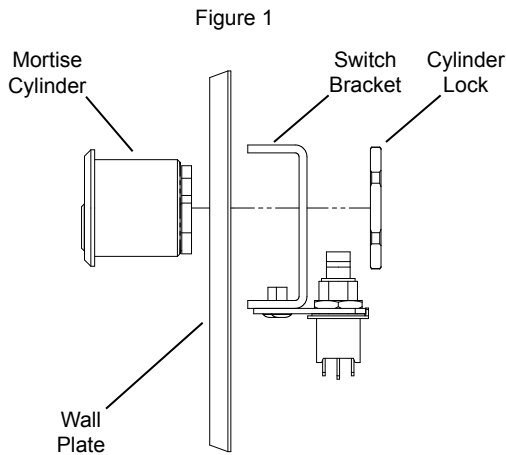
To install the BEA Combo-Plate perform the following:

1. Install the 2-gang electrical box (purchased separately) in its intended location.
2. Assemble the keyswitch portion of the assembly with a mortise cylinder (purchased separately) (Figure 1).  
**NOTE:** BEA recommends that a 1-1/8" length mortise cylinder be used in this assembly. However, a 1-1/4" length mortise cylinder will also work. Select the appropriate cam depending on the switch configuration (Figure 2).
3. Wire the device for its intended use. The keyswitch can be wired to toggle the push plate switch "on/off" (Figure 3) or the two switches can be wired for independent use.

## 5 Installation (Continued)

- Partially insert the two socket cap screws into the upper left and lower left mounting holes of the wall box. Slide the key holes of the Combo-Plate over the screws and tighten by inserting a hex wrench into the through holes of the push plate. Fasten the right side of the Combo-Plate using two flat head screws (Figure 4).

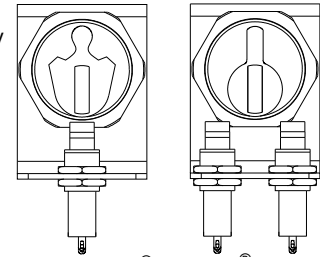
**NOTE:** The installer may choose between two styles of flat head screws: Phillips head screws or tamper-resistant spanner screws (both provided in the hardware kit).



Select shape of cam shown for number of switches used (specify when ordering cylinder).

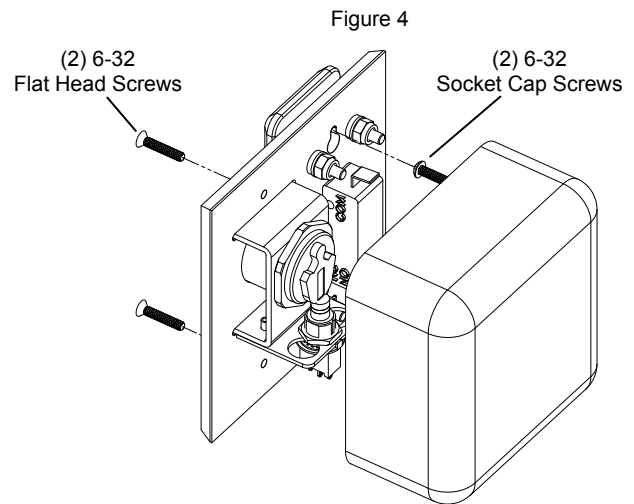
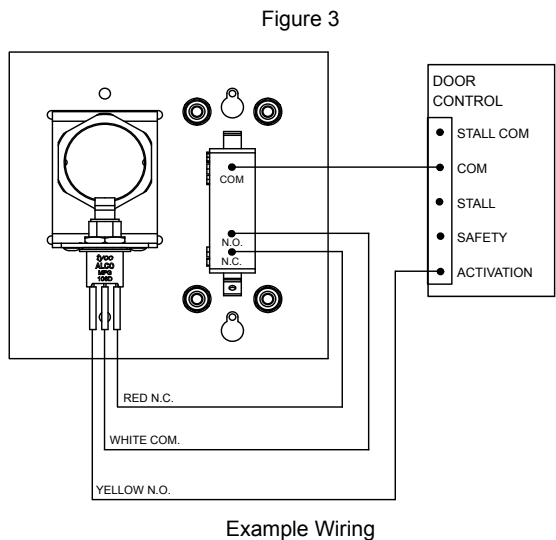
Adjust height of switch on bracket until cam triggers positively when rotated.

Figure 2



Corbin Russwin®  
#ML2200,  
Schlage®  
#B520-233  
or Equivalent

Schlage® #B520-256,  
Yale® #2160,  
Arrow® #004,  
Sargent® #13-0660  
or Equivalent



## 6 Company Contact



Do not leave problems unresolved. If a satisfactory solution cannot be achieved after troubleshooting a problem, please call BEA, Inc. If you must wait for the following workday to call BEA, leave the door inoperable until satisfactory repairs can be made. Never sacrifice the safe operation of the automatic door or gate for an incomplete solution.

The following numbers can be called 24 hours a day, 7 days a week. For more information, visit [www.beasensors.com](http://www.beasensors.com).

East: 1-866-249-7937  
Canada and Texas: 1-866-836-1863

Central: 1-800-407-4545  
West: 1-888-419-2564