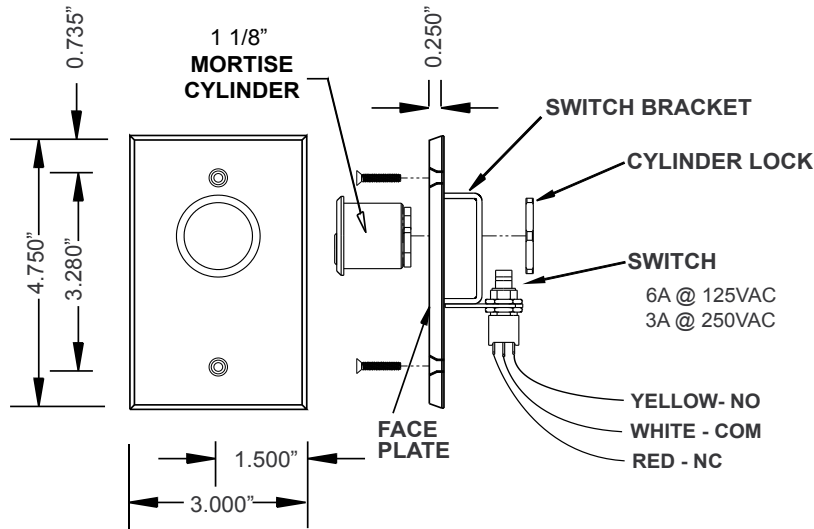


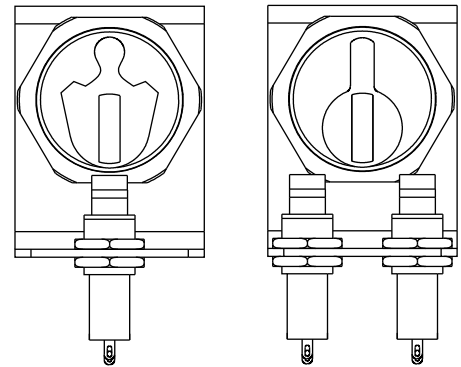
1 Mounting Installation



SINGLE GANG KEYSWITCH
(10KEYSWITCHMOM / 10KEYSWITCHONF)

Select shape of cam shown for no. of switches used (specify when ordering cylinder).

Adjust height of switch on bracket until cam triggers positively when rotated.



Corbin Russwin® #ML2200,
Schlage® #B520-233 or
Equivalent

Schlage® #B520-256,
Yale® #2160,
Arrow® #004,
Sargent® #13-0660 or
Equivalent

2 Precautions



- Shut off all power before attempting any wiring procedures.
- Maintain a clean & safe environment when working in public areas.
- Constantly be aware of pedestrian traffic around the area.
- Always stop pedestrian traffic when performing tests that may result in unexpected reactions.
- ESD electrostatic discharge: Circuit boards are vulnerable to damage by electrostatic discharge. Before handling any board ensure you dissipate your body's charge.
- Always check placement of all wiring before powering up to insure that moving parts will not catch any wires and cause damage to equipment.
- Ensure compliance with all applicable safety standards (i.e. ANSI A156.10 / A156.19) upon completion of installation.
- DO NOT attempt any internal repair. All repairs and/or component replacements must be performed by BEA, Inc. Unauthorized disassembly or repair:
 1. May jeopardize personal safety and may expose one to the risk of electrical shock.
 2. May adversely affect the safe and reliable performance of the product will result in a voided product warranty.

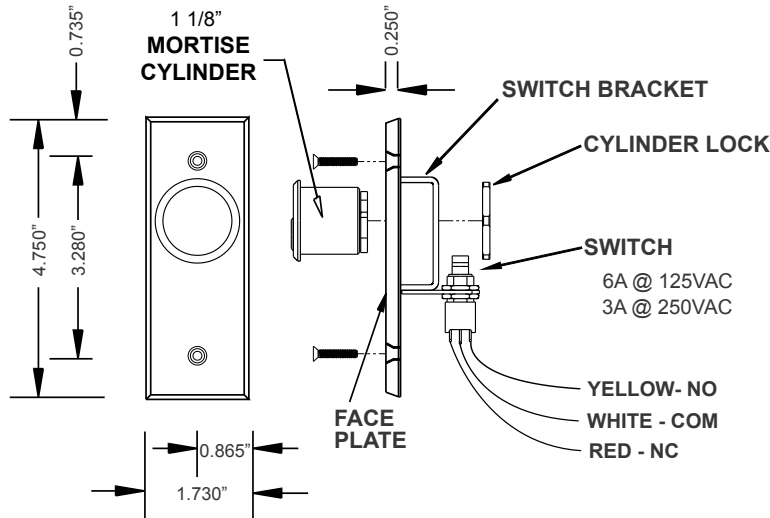
3 Company Contact



Do not leave problems unresolved. If a satisfactory solution cannot be achieved after troubleshooting a problem, please call BEA, Inc. If you must wait for the following workday to call BEA, leave the door inoperable until satisfactory repairs can be made. Never sacrifice the safe operation of the automatic door or gate for an incomplete solution.

The following numbers can be called 24 hours a day, 7 days a week. For more information, visit www.beasensors.com.

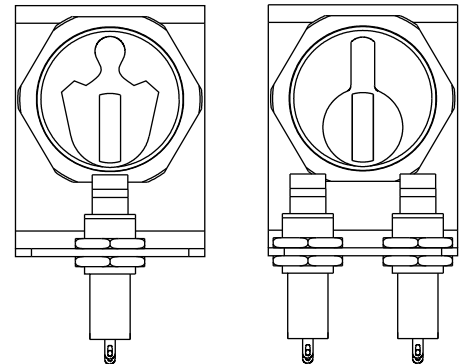
1 Mounting Installation



JAMB KEYSWITCH
(10JAMBSWITCHMOM / 10JAMBSWITCHONF)

Select shape of cam shown for no. of switches used (specify when ordering cylinder).

Adjust height of switch on bracket until cam triggers positively when rotated.



Corbin Russwin® #ML2200,
Schlage® #B520-233 or
Equivalent

Schlage® #B520-256,
Yale® #2160,
Arrow® #004,
Sargent® #13-0660 or
Equivalent

2 Precautions



- Shut off all power before attempting any wiring procedures.
- Maintain a clean & safe environment when working in public areas.
- Constantly be aware of pedestrian traffic around the area.
- Always stop pedestrian traffic when performing tests that may result in unexpected reactions.
- ESD electrostatic discharge: Circuit boards are vulnerable to damage by electrostatic discharge. Before handling any board ensure you dissipate your body's charge.
- Always check placement of all wiring before powering up to insure that moving parts will not catch any wires and cause damage to equipment.
- Ensure compliance with all applicable safety standards (i.e. ANSI A156.10 / A156.19) upon completion of installation.
- DO NOT attempt any internal repair. All repairs and/or component replacements must be performed by BEA, Inc. Unauthorized disassembly or repair:
 1. May jeopardize personal safety and may expose one to the risk of electrical shock.
 2. May adversely affect the safe and reliable performance of the product will result in a voided product warranty.

3 Company Contact



Do not leave problems unresolved. If a satisfactory solution cannot be achieved after troubleshooting a problem, please call BEA, Inc. If you must wait for the following workday to call BEA, leave the door inoperable until satisfactory repairs can be made. Never sacrifice the safe operation of the automatic door or gate for an incomplete solution.

The following numbers can be called 24 hours a day, 7 days a week. For more information, visit www.beasensors.com.