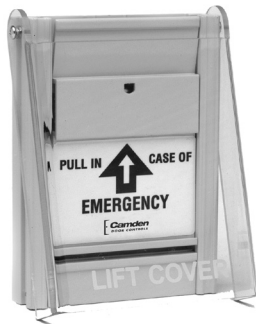


CM-700 PULL STATIONS



CM-701



CM-721
(Show with optional lift cover)

FEATURES

- AVAILABLE IN BLUE OR YELLOW
- ENGLISH, FRENCH AND SPANISH VERSIONS
- CONVENIENT WIRING TERMINAL
- AVAILABLE WITH N/O, N/C OR BOTH N/O AND N/C SWITCHES, 1 A @ 30V DC
- STANDARD SINGLE GANG MOUNT
- OPTIONAL GLASS BREAK RODS
- OPTIONAL CLEAR LIFT COVER
- IDEAL FOR USE WITH MAGNETIC LOCKS IN ACCESS CONTROL APPLICATIONS

DESCRIPTION

CAMDEN DOOR CONTROLS, CM-700 Series pull stations meet the stringent demands of emergency pull station controls. They are designed for single gang mounting and protrude only 3/4" from the wall. They are easily reset with a small screwdriver. Available in blue or yellow, they are an ideal solution for varied pull station requirements.

APPLICATION

CAMDEN DOOR CONTROLS, CM-700 series pull stations are the ideal solution wherever an emergency release is required. Applications include Door Release and on emergency exit doors. Not rated for fire alarm applications.

ARCHITECTS /ENGINEERS SPECIFICATIONS

All pull stations on the site /complex shall be single action. Units shall be constructed of extruded aluminum. Pulling the handle shall initiate immediate operation of the attached circuitry. All manual fire alarm stations shall be installed as per the specific requirements outlined in the UL / ULC codes, as well as all other applicable national or local codes.

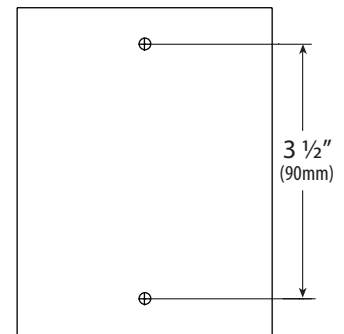
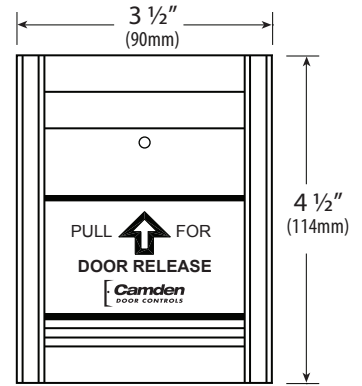
PULL STATIONS



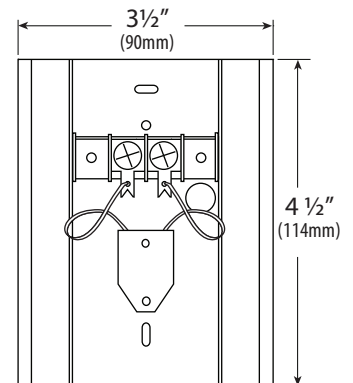
ORDERING INFORMATION

DESCRIPTION	MODEL	MODEL	MODEL
BLUE PULL STATIONS*	1 x N/C*	2 x N/C*	1 N/O + 1 N/C*
PULL FOR DOOR RELEASE	CM-701	CM-702	CM-703
PULL IN CASE OF EMERGENCY	CM-701E	CM-702E	CM-703E
AS ABOVE, ENGLISH/FRENCH	CM-701BE	CM-702BE	CM-703BE
AS ABOVE, ENGLISH/SPANISH	CM-701SP	CM-702SP	CM-703SP
PULL FOR EMERGENCY ASSISTANCE	CM-701EA	CM-702EA	CM-703EA
PULL FOR EMERGENCY DOOR RELEASE	CM-701EDR	CM-702EDR	CM-703EDR
YELLOW PULL STATIONS*	1 x N/C*	2 x N/C*	
PULL IN CASE OF EMERGENCY	CM-721	CM-722	
OPTION			
FOR CLEAR LIFT COVER ADD	CM-XXX-PC		
PLASTIC GLASS-BREAK RODS	CM-700GL		

***NOTE:** Switch configurations indicated are when the pull station cover is closed/reset. When pull stations are released, switch contacts will be opposite to those indicated above.



MOUNTING DIAGRAM



BACK WIRING TERMINAL
N/O, N/C CONTACTS



5502 Timberlea Blvd. Mississauga, ON Canada L4W 2T7 • Toll Free: 1 877 226-3369 (CAMDEN9)
Tel: (905) 366-3377 • Fax: (905) 366-3378 • E-mail: info@camdencontrols.com • www.camdencontrols.com

LIT-SP-700



Certified ISO 9001: 2008

FS 541752