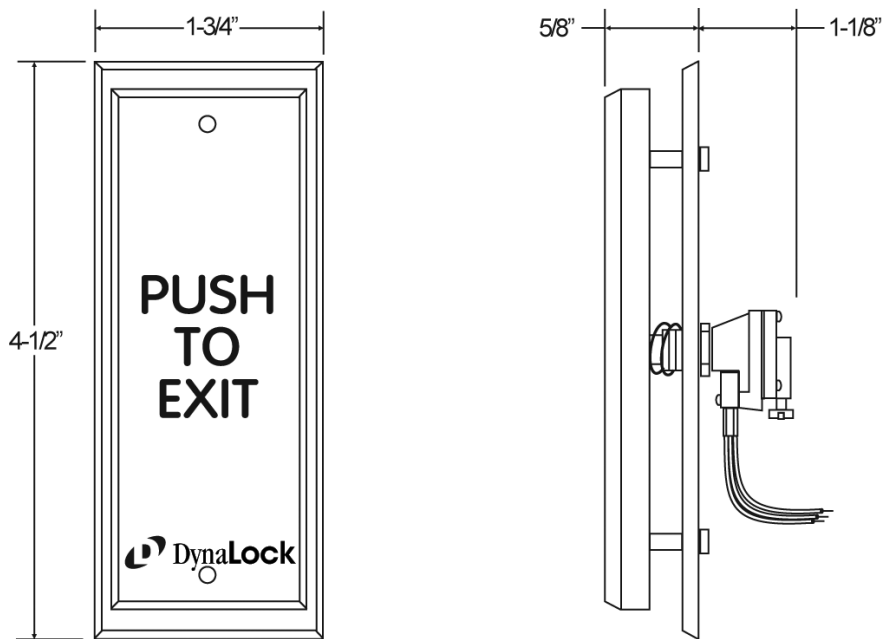


SPECIFICATIONS



DYNALOCK MODEL #6800 PUSHPLATE FEATURES:

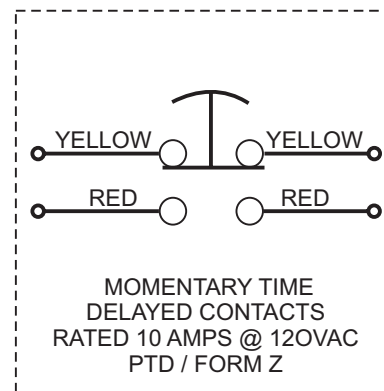
1-1/2" x 4" SOLID ALUMINUM PUSHPLATE WITH 2-60 SECOND TIME DELAYED MOMENTARY CONTACTS AND "PUSH TO EXIT" ENGRAVED SIGNAGE.

NARROW MULLION STYLE SOLID ALUMINUM FACEPLATE.

7" COLOR-CODED #18AWG WIRE LEAD TERMINATIONS.

WIRING INFORMATION

SCHEMATIC



TIME DELAY ADJUSTMENT

TIME DELAY ADJUSTMENT KNOB

BOTTOM VIEW



TURN CW TO INCREASE
TURN CCW TO DECREASE

TIME DELAY ADJUSTMENT
RANGE = 2 - 60 SECONDS



DynaLock Corporation
705 Emmett Street • Bristol, CT 06010
Tel: (860) 582-4761 • Fax: (860) 585-0338

Installation Instructions

DRWN: MJL Date: 02/20/06

CHK'D: JAS Date: 02/20/06

CHK'D: Date:

APPV'D: JAS Date: 02/20/06

Title:

6800 PUSHPLATE, NARROW

Page
1 of 1

Scale:

Size:

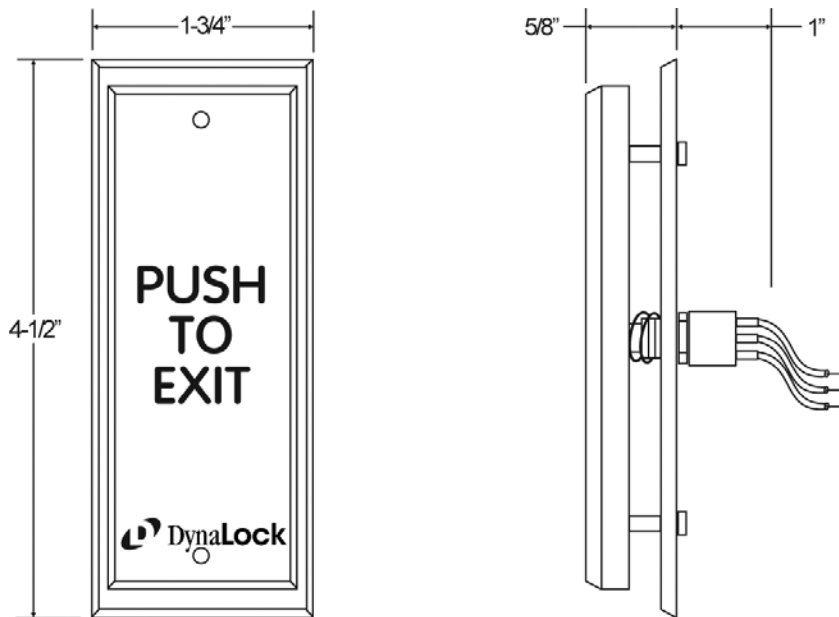
Drawing #:

600306

REV:

—

SPECIFICATIONS



DYNALOCK MODEL #6810 / 6820 PUSHPLATE FEATURES:

1-1/2" x 4" SOLID ALUMINUM PUSHPLATE WITH "PUSH TO EXIT" ENGRAVED SIGNAGE.

NARROW MULLION STYLE SOLID ALUMINUM FACEPLATE.

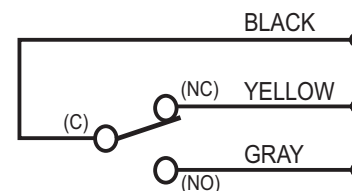
7" COLOR-CODED #18AWG WIRE LEAD TERMINATIONS.

6810 - SPDT / ALTERNATE-ACTION CONTACTS, RATED 6 AMPS @ 125VAC

6820 - DPDT / ALTERNATE-ACTION CONTACTS, RATED 6 AMPS @ 125VAC

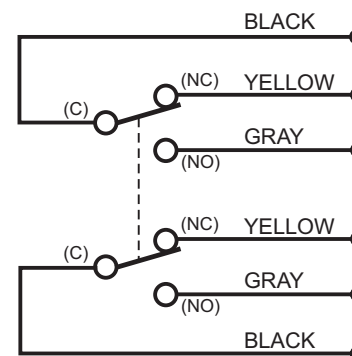
WIRING INFORMATION

MODEL #6810



SPDT ALTERNATE-ACTION CONTACTS RATED 6 AMPS @ 125VAC

MODEL #6820



DPDT ALTERNATE-ACTION CONTACTS RATED 6 AMPS @ 125VAC



DynaLock Corporation
705 Emmett Street • Bristol, CT 06010
Tel: (860) 582-4761 • Fax: (860) 585-0338

Installation Instructions

DRWN: MJL Date: 02/20/06

CHK'D: JAS Date: 02/20/06

CHK'D: Date:

APPV'D: JAS Date: 02/20/06

Title: **6810 / 6820 PUSHPLATE NARROW**

Page 1 of 1

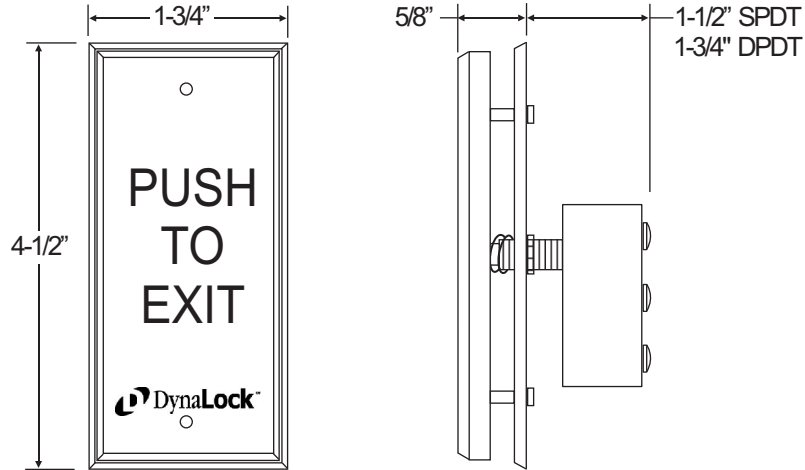
Scale: —

Size: A

Drawing #: **600307**

REV: —

SPECIFICATIONS



DYNALOCK MODEL #6830 / 6840 PUSHPLATE FEATURES:

SOLID ALUMINUM PUSHPLATE WITH "PUSH TO EXIT" ENGRAVED SIGNAGE.

NARROW MULLION STYLE SOLID ALUMINUM FACEPLATE.

LABELED SCREW TERMINAL CONNECTIONS

6830 - SPDT / MOMENTARY CONTACTS, RATED 15 AMPS @ 125VAC

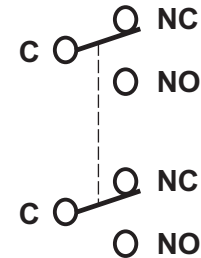
6840 - DPDT / MOMENTARY CONTACTS, RATED 10 AMPS @ 125VAC

WIRING INFORMATION

MODEL #6830 (SPDT)



MODEL #6840 (DPDT)



DynaLock Corporation
705 Emmett Street • Bristol, CT 06010
Tel: (860) 582-4761 • Fax: (860) 585-0338

Installation Instructions

DRWN:	Date:
MJL	06/09/08
CHK'D:	Date:
JAS	06/10/08
CHK'D:	Date:
APPV'D:	Date:

Title: **6830 / 6840 PUSHPLATE NARROW**

Page	Scale:	Size:	Drawing #:	REV:
1 Of 1	—	A	600308	A