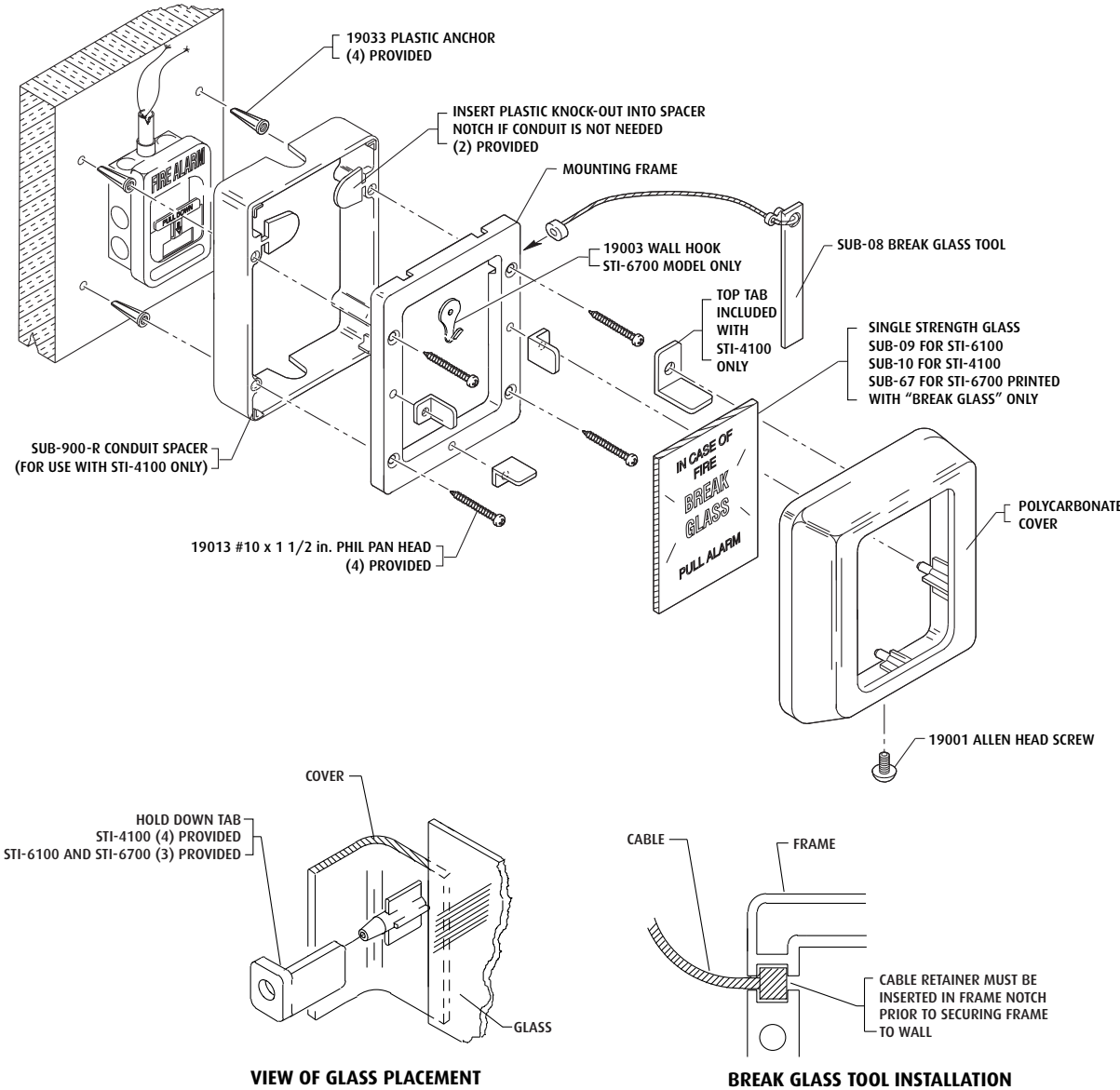


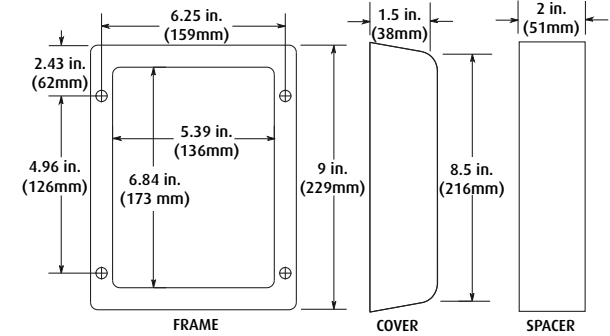


**Safety Technology International, Inc.**  
 2306 Airport Road • Waterford, Michigan 48327-1209  
 Phone: 248-673-9898 • Fax: 248-673-1246  
 Toll Free: 800-888-4784 • E-mail: info@sti-usa.com  
 Web: www.sti-usa.com

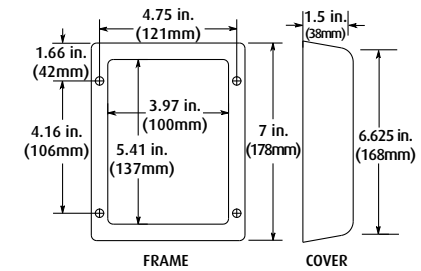
**Safety Technology International (Europe) Ltd.**  
 Unit 49G Pipers Road • Park Farm Industrial Estate • Redditch  
 Worcestershire • B98 0HU • England  
 Tel: 44 (0) 1527 520 999 • Fax: 44 (0) 1527 501 999  
 E-mail: info@sti-europe.com • Web: www.sti-europe.com



**PRODUCT DIMENSIONS  
 STI-4100 and SUB-900-R (SPACER)**



**STI-6100 and STI-6700**



**INSTALLATION NOTES**

1. Using frame as a template, mark four (4) holes for installation.
2. Drill four (4) 1/4 in. holes approximately 1 1/4 in. deep.
3. Insert four (4) anchors (provided) into mounting holes.
4. Install break glass tool inside of mounting frame.
5. Place mounting frame with break glass tool installed and conduit spacer (if used - only in some STI-4100 installations) over pull station.
6. Tighten mounting screws (provided) in mounting holes.
7. Place cover and glass assembly over mounting frame.
8. Tighten 19001 allen head screw at bottom of cover.

Electronic warranty form at [www.sti-usa.com/wc14](http://www.sti-usa.com/wc14)

**INSTALLATION OF STI BREAK GLASS STOPPERS® STI-4100, STI-6100 AND STI-6700**

All specifications and information shown were current as of publication and are subject to change without notice.

4100/6100S OCT2007

