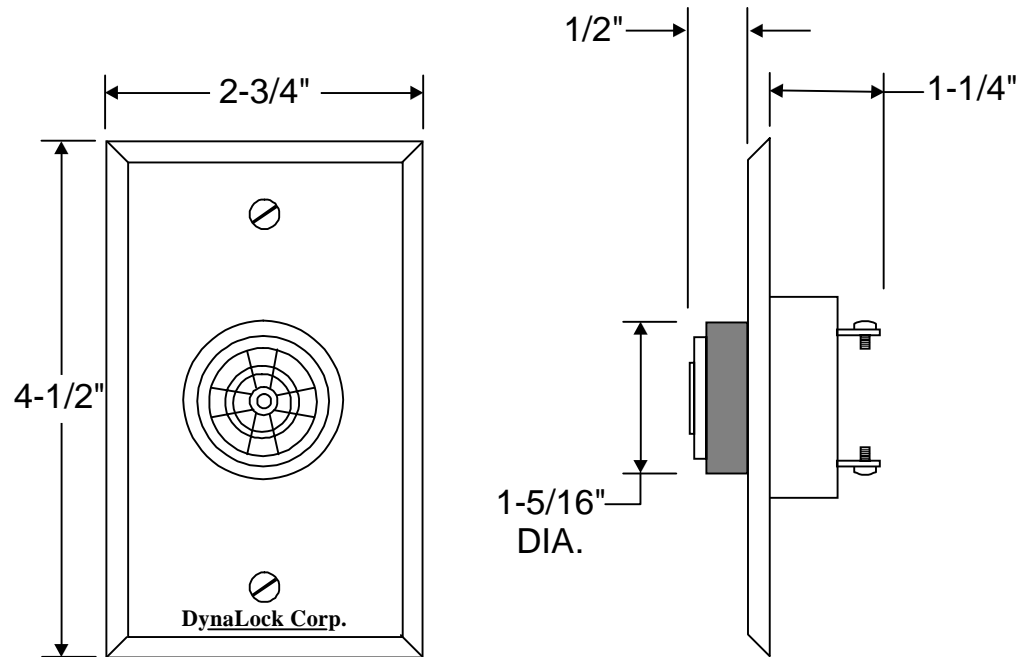
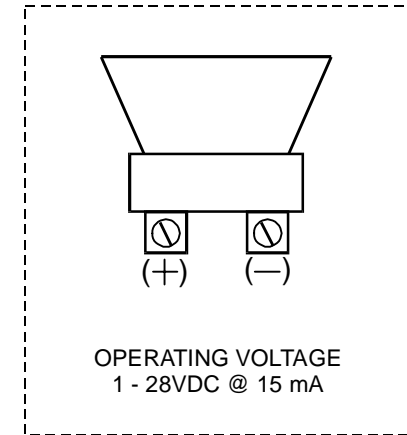


SPECIFICATIONS



WIRING INFORMATION



DYNALOCK #6300 AUDIBLE ANNUNCIATOR FEATURES:

AUDIBLE ANNUNCIATOR ON SINGLE-GANG BRUSHED STAINLESS STEEL FACEPLATE.

SCREW LUG TERMINATIONS.

OPERATING VOLTAGE: 1-28VDC @ 15 mA.

SOUND OUTPUT LEVEL: 90dB @ 30 CENTIMETERS / FREQUENCY 2900Hz

DynaLock Corp.

705 Emmett Street
Forestville, CT 06010

TITLE

MODEL #6300 AUDIBLE ANNUNCIATOR

DRN. BY JAS

DATE 02/20/98

SCALE

DWG. NO.

600183