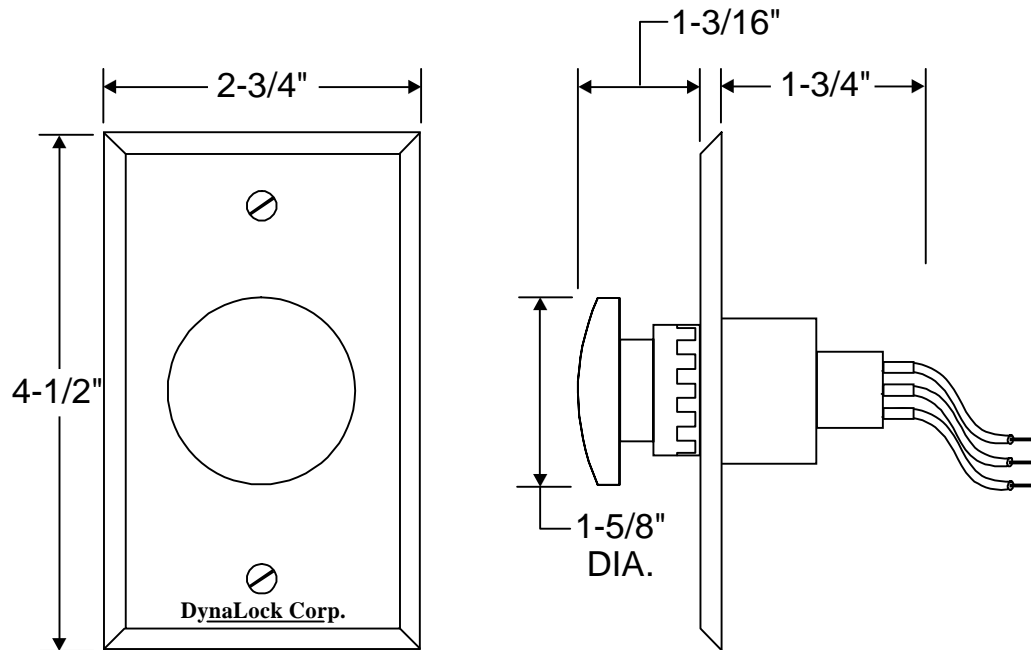


SPECIFICATIONS

WIRING INFORMATION



DYNALOCK MODEL #6210, #6220 PALM BUTTONS FEATURES:

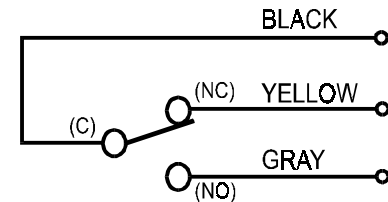
1-5/8" DIA. RED PLASTIC MUSHROOM BUTTON ON SINGLE-GANG BRUSHED STAINLESS STEEL FACEPLATE.

7" COLOR-CODED #18AWG WIRE LEAD TERMINATIONS.

6210 - SPDT / ALTERNATE-ACTION CONTACTS, RATED 6 AMPS @ 125VAC

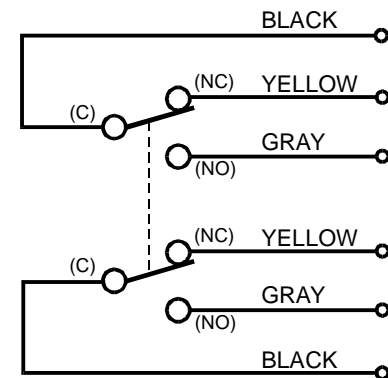
6220 - DPDT / ALTERNATE-ACTION CONTACTS, RATED 6 AMPS @ 125VAC

MODEL #6210



SPDT ALTERNATE-ACTION CONTACTS RATED 6 AMPS @ 125VAC

MODEL #6220



DPDT ALTERNATE-ACTION CONTACTS RATED 6 AMPS @ 125VAC

DynaLock Corp.

705 Emmett Street
Forestville, CT 06010

TITLE

MODEL #6210, #6220 PALM BUTTONS

DRN. BY JAS

DATE 06/16/98

SCALE _____

DWG. NO.

600161