



## 621 Series 1 Amp Power Supply

### New Modular Access Control Power Supply

#### Easy as 1 • 2 • 3

The 621 Series access control power supplies are designed to support access controls and electric locking devices. Equipped with two power limited outputs, the modular design enables versatility for installations with or without battery back-up or fire command center interface for emergency lock release.

- 12VDC or 24VDC field selectable output
- 1 Amp maximum, filtered and regulated output
  - 1 power limited switched output
  - 1 power limited auxiliary output
- Two control inputs
  - 1 trigger input, normally open (NO)
  - 1 supervised emergency release input (latching with reset or non-latching)
- When latching emergency release is selected and the switched output is deactivated by emergency release or power loss, power is restored by manual means only.
- Short circuit and thermal overload protection
- Battery charger output
- Automatically switched to battery back-up when AC fails
- Board equipped with AC input, DC output and battery status LED indicator
- Enclosure equipped with AC input, DC output and battery status LED indicator

#### Model

**621B** Power supply module, 1 Amp 12/24VDC, Class 2  
Input requirements: 40VA @ 24VAC  
See options: TP2440

**621P** Power supply module, 1 Amp, 12/24VDC, Class 2 with UL Listed plug-in transformer.

**621PJ** Power supply module, 1 Amp, 12/24VDC, Class 2 with UL Listed plug-in transformer and small enclosure.

#### Options

**TP2440** 24VAC, 40VA transformer for use with 621B. UL Listed

**RB12V** 5Ah 12VDC battery (2 required for 24VDC)

**RB12V7** 8Ah 12VDC battery (1 max with enclosure)

#### Specifications

**621B Input:** 40VA @ 24VAC

**621P/621PJ Input:** 115VAC 60Hz, 0.6 Amp

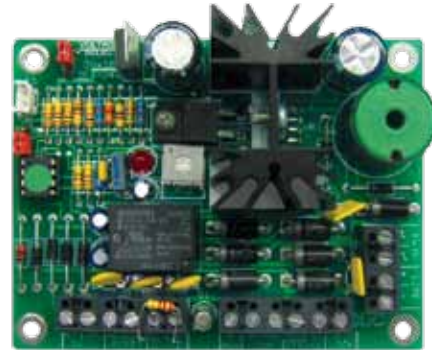
**Output:** Filtered and electronically regulated  
1 Amp @ 12/24VDC (field selectable)

**Battery Charger:** 150mA @ 12VDC

**Power Supply Board:**

4"W x 3"H x 1.625"D  
(102mm x 76mm x 42mm)

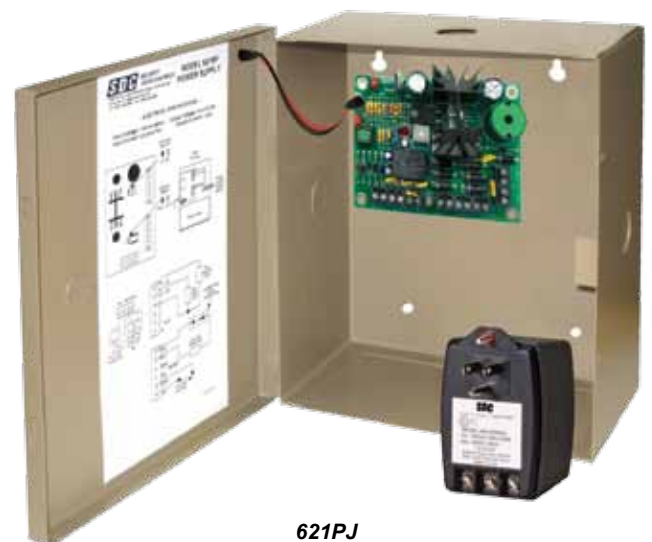
**Enclosure:** 7.25"W x 8.375"W x 3.625"D  
(184mm x 213mm x 92mm)



621B



621P



621PJ



SECURITY DOOR CONTROLS

sdsecurity.com  
service@sdsecurity.com



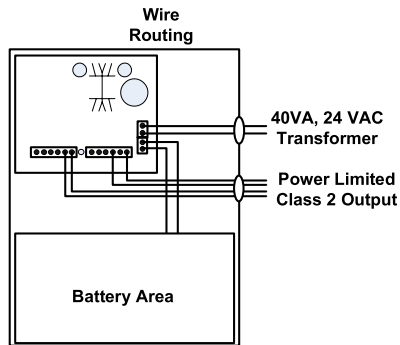
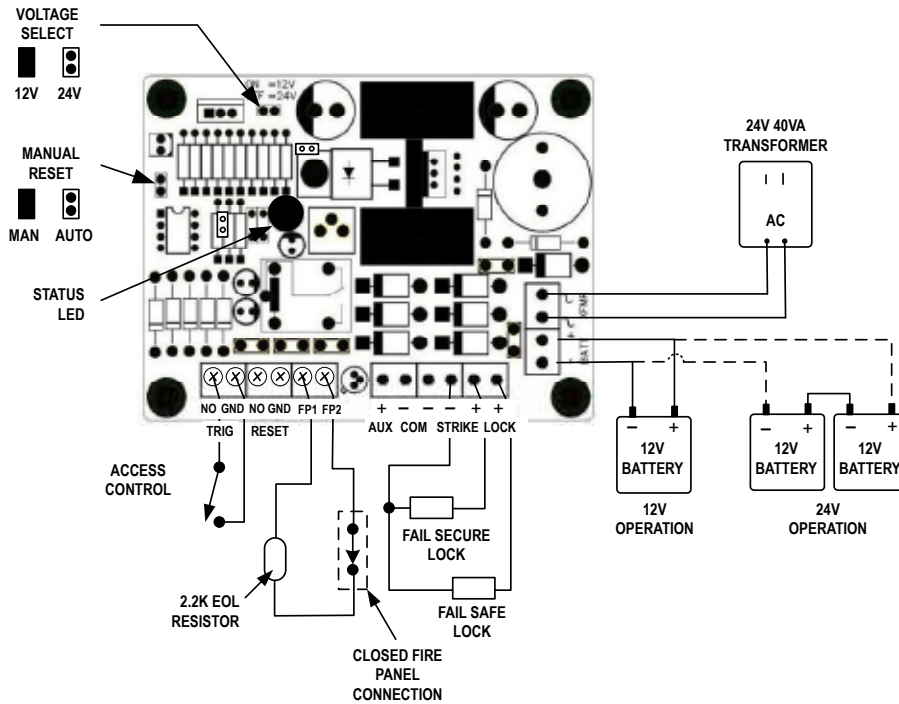
Price & Installation

## 621 - ELECTRICAL SPECIFICATIONS

**Input Voltage:** 24 - 28 VAC 40VA  
**Input Current:** 1.2 amps Max.

**Output Voltage:** 12 or 24 VDC  
**Output Current:** 1 amp\*

\*40VA Transformer required to achieve 1 Amp output



**621 Led Modes:**  
**On** = Normal Operation  
**Off** = No DC Output  
**Slow Flash** = Loss of AC  
 Battery Powered  
**Fast Flash** = Trigger Input  
 or  
 Awaiting Reset