

## 5811

### THIN DOOR/WINDOW CONTACT TRANSMITTER



Honeywell's 5811 Thin Door/Window Contact Transmitter virtually disappears when installed next to standard door/window transmitters. It is ideal for casement and double-hung windows. The 5811 provides a single zone of protection, and installs easily on doors or windows with the included mounting hardware or double-sided adhesive tape.

## FEATURES

- Sleek design virtually disappears
- Easy-to-open case requires no special tools
- Case tamper protection
- Ideal for double-hung windows

## SPECIFICATIONS

### Dimensions

- 2-1/8" H x 1-3/16" W x 5/16" D
- (54mm) x (30mm) x (8mm)

### Power Source

- 3V Lithium battery (supplied)

### Gap

- 0.75" (19mm) max distance

### Case Tamper Protection

- Case tamper

### Operating Temperature

- 32° F to 122° F (0° C to 50° C) non-condensing

### Transmit Frequency

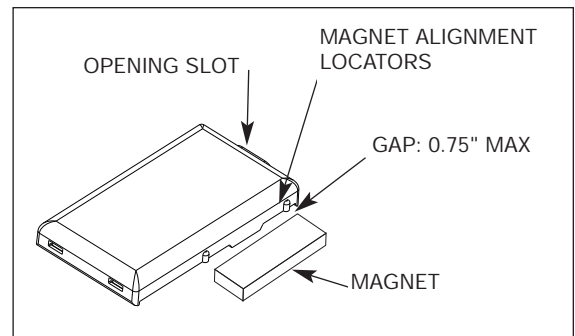
- 345 MHz

### Compatibility

- Compatible with all 5800 Series Wireless devices

### Agency Listings

- FCC
- IC



## ORDERING

5811

Thin Door/Window Contact Transmitter supplied with Lithium battery

**Automation and Control Solutions**  
Honeywell Security & Communications  
2 Corporate Center Dr. Suite 100  
P.O. Box 9040  
Melville, NY 11747  
www.honeywell.com

L/5811D/D  
May 2009  
© 2009 Honeywell International Inc.