

ESL 500 Series Smoke Detector Installation Instructions

Description

The ESL 500 Series Smoke Detectors offer 2-wire, 4-wire, 12VDC, and 24VDC detectors for fire system applications. Depending on the model, the smoke detector provides the following features:

Detector/base lock

Discourages unauthorized removal of the smoke detector by requiring a screwdriver to remove the detector from the base.

CleanMe®

Enables the control panel to receive a warning signal via a 505 module, or CleanMe compatible panel, indicating that the optical chamber needs to be replaced. This feature is available on the 521/528 Series 2-wire detectors only.

The detectors ship with the CleanMe feature turned off. To turn on the CleanMe signal move DIP switch 2 on the back of the detector to the “on” position. See Figure 1.

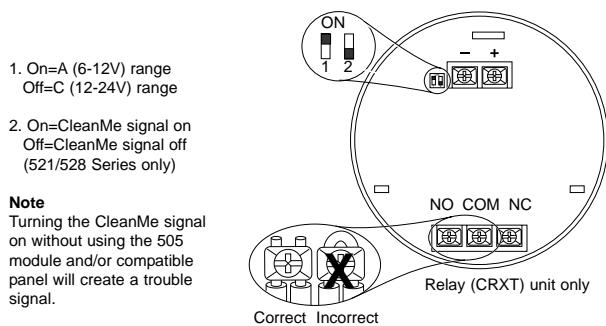


Figure 1. Switches

Self-diagnostics

Includes automatic sensitivity testing. Once a day and immediately upon first power up, each 500 Series detector performs a full diagnostic test that includes a dynamic test of the sensing chamber and internal electronics. This meets NFPA 72 field sensitivity testing requirements without the need for external meters.

Drift compensation

The detectors automatically adjust sensitivity, up to a maximum of 1.0%/ft., as the detectors become dirty.

Using the 2-wire 521/528 Series with a panel that does not have 2-wire capabilities

The ESL 505 module can convert the 2-wire 521/528 Series to a 4-wire input on the control panel. The 521/528 Series is UL Listed as compatible with the 505 module and will be fully UL compliant with any UL listed 24 VDC control panel and panels that do not operate below 12V. Each 505 module will accommodate up to 20 ESL 521/528 Series smoke detectors. See the 505 module installation instructions for more information.

Selectable voltage range for UL 2-wire compatibility

The 500 Series 2-wire smoke detectors have a DIP switch that allows the installer to choose between 12/24V operation and 6/12V operation. See Figure 1 and *Specifications*.

Note

Please refer to the ESL Compatibility Index for a complete listing of control panels and proper identifiers. For a copy of the Compatibility Index, call 1-800-648-7424 or visit www.sentrol.com for a copy to download. Remember, 4-wire smoke detectors do not require a compatibility listing.

WARNING

This document is intended for licensed electricians/ alarm installers. Interlogix cannot provide technical support to unqualified persons.

If you have questions, call Interlogix at 1-800-648-7424.

Selecting a Location

Selecting a suitable location is critical to the operation of smoke detectors. This equipment should be installed in accordance with the National Fire Protection Association’s (NFPA) Standard 72.

A-8-1.2.1.a Where to Locate the Required Smoke Detectors in Existing Construction. The major threat from fire in a family living unit occurs at night when everyone is asleep. The principal threat to persons in sleeping areas comes from fires in the remainder of the unit. Therefore, a smoke detector(s) is best located between the bedroom areas and the rest of the unit. In units with only one bedroom area on one floor, the smoke detector(s) should be located as shown in Figure 2 A.

In family living units with more than one bedroom area or with bedrooms on more than one floor, more than one smoke detector is required, as shown in Figure 2 B.

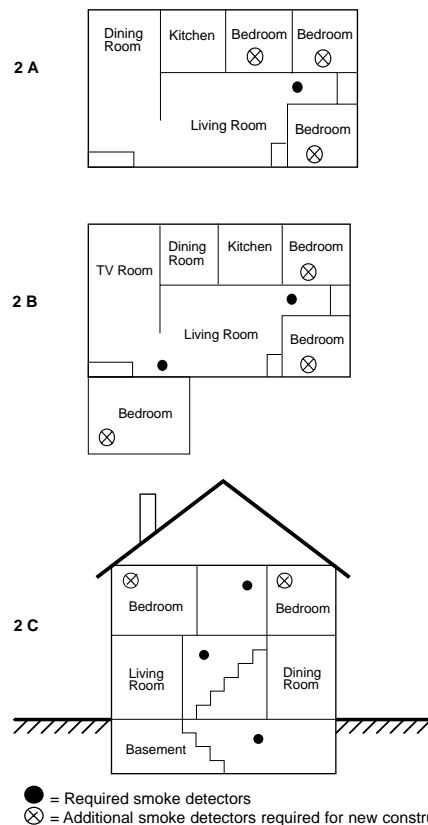


Figure 2. Detector placement

In addition to smoke detectors outside of the sleeping areas, the installation of a smoke detector on each additional story of the family living unit, including the basement, is required. These installations are shown in Figure 2 C. The living area smoke detector should be installed in the living room or near the stairway to the upper level, or in both locations. The basement smoke detector should be installed in close proximity to the stairway leading to the floor above. Where installed on an open-joisted ceiling, the detector should be placed on the bottom of the joists. The detector should be positioned relative to the stairway to intercept smoke coming from a fire in the basement before the smoke enters the stairway.

A-8-1.2.1.b Where to Locate the Required Smoke Detectors in New Construction. All of the smoke detectors specified in A-8-1.2.1.a for existing construction are required and, in addition, a smoke detector is required in each bedroom.

A-8-1.2.1.c Are More Smoke Detectors Desirable?

The required number of smoke detectors might not provide reliable early warning protection for those areas separated by a door from the areas protected by the required smoke detectors. For this reason, it is recommended that the householder consider the use of additional smoke detectors for those areas for increased protection. The additional areas include the basement, bedrooms, dining room, furnace room, utility room, and hallways not protected by the required smoke detectors. The installation of smoke detectors in kitchens, attics (finished or unfinished), or garages is not normally recommended, as these locations occasionally experience conditions that can result in improper operation.

Important: Regulations pertaining to smoke detector installations vary from state to state. For more information, contact your local fire department or local authority having jurisdiction.

In addition to NFPA 72, use the following location guidelines to optimize performance and reduce the chance of false alarms from the detector:

- Locate ceiling-mounted smoke detectors in the center of a room or hallway at least 4 inches (10cm) from any walls or partitions.
- Locate wall-mounted smoke detectors so the top of the detector is 4 to 12 inches (10 to 30cm) below the ceiling.
- **Do not** locate detectors in or near bathrooms or kitchens.
- Locate in a suitable environment as follows:
 - Temperature between 32°F (0°C) and 100°F (37°C)
 - Humidity between 0 and 95% non-condensing
- Locate away from air conditioners, heating registers, and any other ventilation source that may interfere with smoke entering the detector.
- Mount smoke detectors on a firm permanent surface.

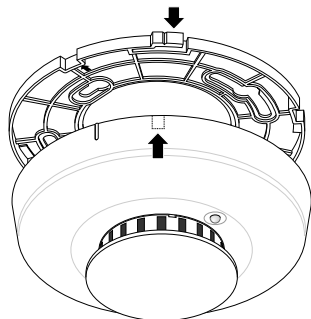


Figure 3. Detector/base lock

Installing the Detector

All wiring must conform to the National Electric Code (NEC) and/or local codes having jurisdiction. Use 12 to 24 AWG wire to install the detector.

1. If you are using the detector/base lock, remove the detector knockout and break off the tab on the mounting base. See Figure 3.
2. Remove the red plastic cover from the detector. The detector is shipped with a cover for protection against construction site dust.
3. Run system wiring to the detector location and mount electrical boxes if necessary.
4. Line up and attach the gasket (if the detector comes with a gasket) and mounting base to the electrical box, wall or ceiling using the screws provided. Use the wall anchors if necessary. See Figure 5.
5. Strip the system wires and connect them to the appropriate terminals on the detector. See Figure 6.
6. Attach the detector to the mounting base as follows:
 - Line up the raised tab on the side of the detector with the arrow on the mounting base. See Figure 4.
 - Insert the smoke detector into the base and turn clockwise approximately 15 degrees. It should snap firmly into place.
7. Apply power.
8. Test the detector. See *Smoke Testing the Alarm*.

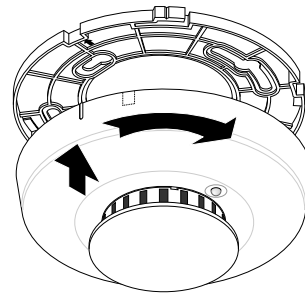


Figure 4. Mounting

Smoke Testing the Detector

Smoke detectors should be tested in place annually using smoke or canned aerosol simulated smoke. Follow the instructions on the canned smoke or use the following steps to test the detector with smoke:

1. Hold a smoldering punk or cotton wick close to the smoke entry openings.
2. Gently direct the smoke into the detector for 20 seconds or until an alarm is indicated.

Be sure to extinguish the smoke source after testing! The detector LED should stay on and an alarm should be indicated at the control panel. Use the system reset switch to reset the detector.

Models without gaskets:
511C, 511AFT, 518C, 518AFT, 521B,
521BXT, 528B, 528BXT

Models with gaskets:
521CRXT, 528CRXT, 541C, 541CXT,
541AXT, 548C, 548CXT, 548 AXT

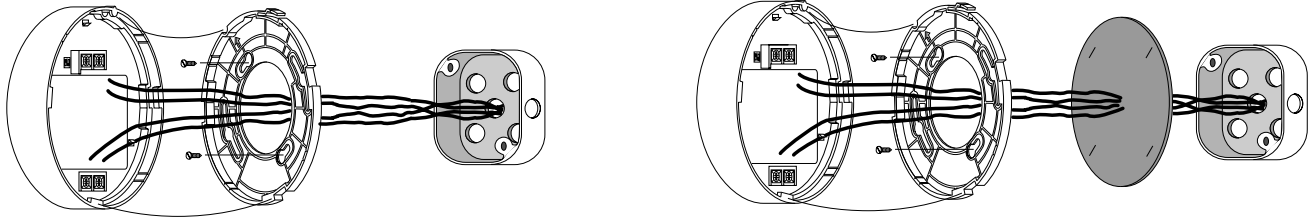
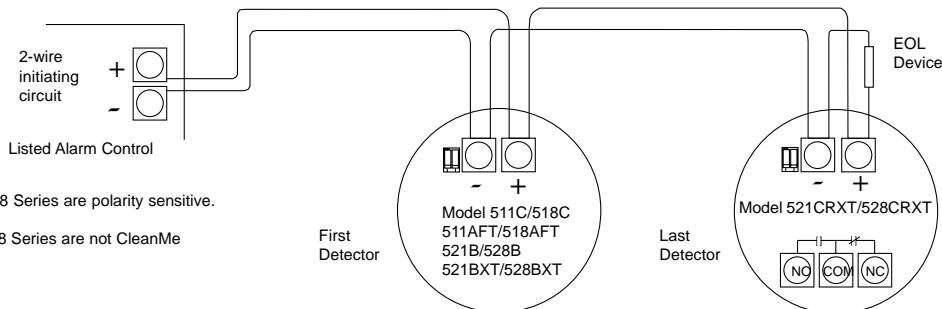


Figure 5. Detector installation

511/518/521/528 Series 2-wire wiring diagram

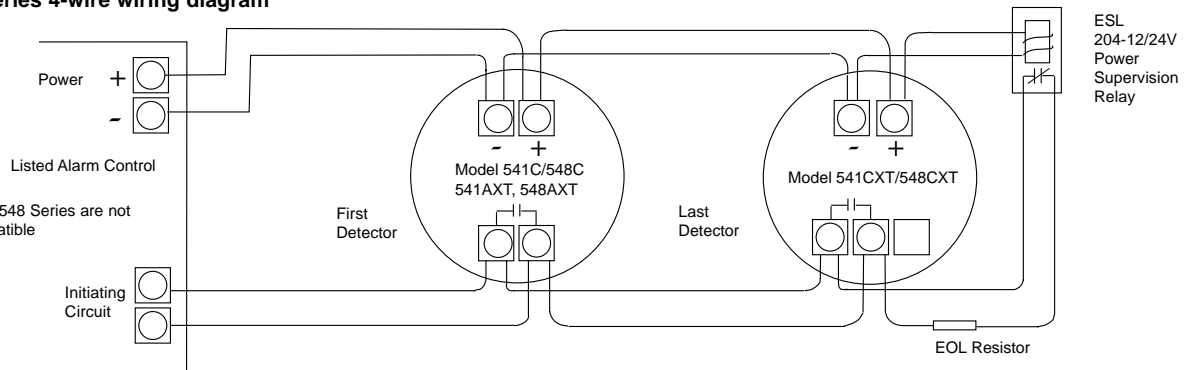


Note: The 521/528 Series are polarity sensitive.

Note: The 511/518 Series are not CleanMe compatible.

Warning: The system may not operate if the detector is not connected to the control unit initiating device circuit as specified in the detector or control unit literature.

541/548 Series 4-wire wiring diagram



Note: The 541/548 Series are not CleanMe compatible

Figure 6. Wiring diagrams

Understanding the LED

The LED on the detector indicates the status of the detector as follows:

Flashing every 9 seconds = Normal operation.

On = Detects smoke, sending an alarm.

Off or flashing once every 1.5 seconds = Trouble or maintenance is required. Test the detector. See *Testing the Detector Sensitivity*.

Removing the Detector

To remove the detector from the mounting base, grasp the detector and turn it counterclockwise approximately 15 degrees. The detector should snap off of the mounting base.

To remove the detector from the mounting base when the detector/base lock is used, insert a small screwdriver into the locking tab slot on the side of the base and press in while simultaneously turning the detector counterclockwise 15 degrees. See Figure 8.

Testing the Detector Sensitivity

The detector provides a sensitivity test that allows you to check the detector sensitivity using a test magnet and the LED indicator on the detector as follows:

1. Hold the test magnet up to the raised TEST letters on the top of the detector for 2 seconds. See Figure 7. Once the test starts, the alarm LED flashes one to nine times.
2. Count the number of times the LED flashes and use the following table to determine the status of the detector sensitivity and what action to take, if any.

Flashes	Obscuration (Approx)	Indication	Action
1	N/A	Unserviceable hardware fault detected.	Reset unit and rerun sensitivity test. If the error persists, replace the unit.
2-3	N/A	Detector is not sensitive enough.	Clean the unit. Reset unit and rerun sensitivity test. If the error persists, replace the unit.
4	3.6%/ft	Detector is within normal sensitivity range.	N/A
5	3.1%/ft		
6	2.6%/ft		
7	2.1%/ft		
8-9	N/A	Detector is too sensitive.	Verify that the smoke chamber is snapped down securely. Clean unit.

After the test:

If the sensitivity is within limits and all other tests pass, the detector goes into alarm and must be reset from the control panel.

If the sensitivity is not within limits or an unserviceable hardware fault has been detected, the detector LED flashes every 1.5 seconds until the detector is serviced.

Cleaning the Detector

Clean the detector cover with a dry or damp (water) cloth as needed to keep it free from dust and dirt.

When necessary, clean the detector interior and **replace** the optical chamber as follows:

1. Disconnect the alarm notification appliances, service release devices and extinguishing systems.
2. Slide a flat-blade screwdriver into the slot on the detector cap and gently push the handle down to pry the cap up and off. See Figure 9.
3. Press in on the sides of the optical chamber and pull it up and away from the detector and discard. See Figure 10.
4. Use a vacuum to remove dust and dirt from the optical chamber base.
5. Line the new optical chamber up with the optical chamber base and snap it down into place.
6. Replace the detector cap as follows:
 - Line the tabs on the cap with the slots on the detector.
 - Insert the cap into the smoke detector and turn clockwise approximately 15 degrees. It should snap firmly into place.
7. Test the detector sensitivity (See *Testing the Detector Sensitivity*).
8. Reconnect all alarm notification appliances, service release devices and extinguishing systems.

Important: The control panel alarm and all auxiliary functions should be verified for a complete test of the system.

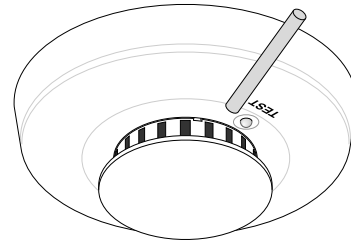


Figure 7. Testing the detector

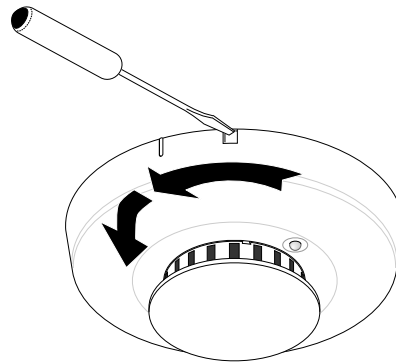


Figure 8. Unlocking the detector

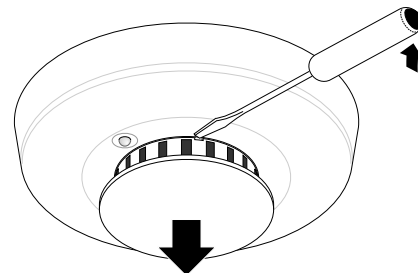


Figure 9. Removing the detector cap

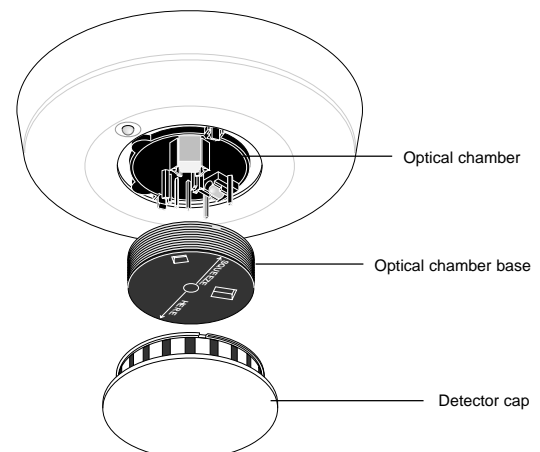


Figure 10. Removing the optical chamber

Maintaining the Detector

These smoke detectors are designed for easy field service and maintenance. When installed and used properly, they require minimal maintenance.

The smoke detector should be tested monthly. See *Testing the Detector Sensitivity* and *Smoke Testing the Detector*.

Fire Prevention and Escape

The purpose of an early warning smoke detector is to detect the presence of fire in its early stages and sound an alarm giving the occupants time to exit the premises safely.

Avoid Fire Hazards

No detection device can protect life in all situations. Therefore, safeguards should be taken to avoid potentially dangerous situations as follows:

- **Do not** smoke in bed.
- **Do not** leave children home alone.
- **Never** clean with flammable liquids such as gasoline.
- Properly store materials. Use general good housekeeping techniques to keep your home neat and tidy. A cluttered basement, attic, or other storage area is an open invitation to fire.
- Use combustible materials and electrical appliances carefully and only for their intended uses. **Do not** overload electrical outlets.
- **Do not** store explosive and/or fast burning materials in your home.
- Even after proper precautions have been taken, fires can start. **Be prepared.**

In Case of Fire

In the event of a fire, you should do the following:

- Leave immediately. Don't stop to pack or search for valuables.
- In heavy smoke, hold your breath and stay low, crawl if necessary. The clearest air is usually near the floor.
- If you have to go through a closed door, carefully feel the door and door knob to see if undue heat is present. If they seem cool, brace your foot against the bottom of the door with your hip against the door and one hand against the top edge. Open it slightly. If a rush of hot air is felt, slam the door quickly and latch it. Unvented fire tends to build up considerable pressure. Be sure all members of the household realize and understand this danger.
- Use your neighbor's phone or a street fire alarm box to call the fire department. The job of extinguishing the fire should be left to the professionals.

Be Prepared

Practice the following steps to prepare you and your family in the event of a fire:

- Perform fire drills regularly. Use them to assure recognition of an alarm signal.
- Draw a floor plan and show two exits from each room. It is important that children be instructed carefully, because they tend to hide in times of crisis.
- Establish one meeting place outside the home. Insist that everyone meet there during an alarm. This will eliminate the tragedy of someone reentering the house for a missing member who is actually safe.
- If you have children and/or physically challenged people residing in your household, use window decals to help emergency personnel identify the sleeping quarters of these individuals.

WARNING

Smoke detectors CANNOT provide warnings for fires resulting from explosions, smoking in bed or other furniture, ignition of flammable liquids, vapors and gases, children playing with matches or lighters.

Failure to properly install, test, and maintain a smoke detector system may cause it to fail resulting in loss of life and/or property.

Limited Warranty

ESL is a brand name of Interlogix, Inc. The manufacturer warrants this smoke alarm to be free from defects in material and workmanship under conditions of normal use for a term of 3 years from the date of manufacture. During the warranty period, if an Interlogix product or any of its components becomes defective, it will be repaired or replaced without charge. Out-of-warranty units will be repaired at the discretion of the manufacturer, if not, a card will be forwarded to the customer suggesting a replacement unit and the cost of that unit.

This warranty does not apply to units which have been subject to abuse, misuse, negligence or accident, or to which any modifications, alterations or repairs have been made or attempted.

This warranty is extended only to the original purchaser of the smoke alarm and may be enforced only by such person. During the warranty period, if the alarm or any warranted components thereof becomes defective, at the manufacturer's discretion, it will be replaced or repaired without charge if returned in accordance with the following instructions:

Obtain a Return Authorization Number by calling 1-800-648-7422 or 503-692-4052, then carefully pack it in a well padded and insulated carton and return, postal charges prepaid to:

**Customer Service
Interlogix, Inc.
12345 SW Leveton Drive
Tualatin, OR 97062-9938**

A note should be included advising the nature of the malfunction. Care must be exercised in the proper packing of alarms returned under this warranty as Interlogix will not be responsible for warranty repairs to equipment damaged because of improper packing.

The above warranty is in lieu of all other express warranties, and implied warranties of merchantability and fitness for a particular purpose are limited in duration for a period of 3 years from the date of manufacture. Under no circumstances shall manufacturer be liable to the purchaser or any other person for incidental or consequential damages of any nature, including without limitation damages for personal injury or damages to property, and however occasioned, whether alleged as resulting from breach of warranty by manufacturer, the negligence of manufacturer or otherwise. Manufacturer's liability will in no event exceed the purchase price of the product. Some states do not allow limitations on how long an implied warranty lasts, or the exclusion or limitation of incidental or consequential damages, so the above limitations and exclusions may not apply to you. Unless a longer period is required by applicable law, any action against manufacturer in connection with this smoke alarm must be commenced within one year after the cause of action has occurred.

No agent, employee or representative of the Manufacturer nor any other person is authorized to modify this warranty in any respect. Repair or replacement as stated above is the exclusive remedy of the purchase hereunder. This warranty gives you specific legal rights and you also have other rights which vary from state to state.

WARNING

Limitations of smoke detectors

Smoke detectors are very reliable, but may not work under all conditions. No smoke detector provides total protection of life or property. Smoke detectors are not a substitute for life insurance.

Smoke detectors require a source of power to work.

This smoke detector will not operate and the alarm will not sound if the detector is not installed properly.

Smoke detectors may not be heard. A sound sleeper or someone who has taken drugs or alcohol may not awaken if the detector is installed outside a bedroom. Closed or partially closed doors and distance can block sound. This detector is not designed for the hearing impaired.

Smoke detectors may not always activate and provide warning early enough. Smoke detectors only activate when enough smoke reaches the detector. If a fire starts in a chimney, wall, roof, on the other side of closed doors, or on a different level of the property enough smoke may not reach the detector for it to alarm.

Smoke detectors are a significant help in reducing loss, injury and even death. However, no matter how good a detection device is, nothing works perfectly under every circumstance and we must warn you that you cannot expect a smoke detector to ensure that you will never suffer any damage or injury.

Specifications

Voltage	DIP switch 1 ON for standard 12V operation (6.5-20 VDC), polarity sensitive DIP switch 1 OFF for standard 24V operation (8.5-33 VDC), polarity sensitive
Maximum ripple (pk to pk)	10% (V p-p)
Typical average standby current	70 μ A (12/24V)
Typical alarm current (12/24V)	up to 60mA max. if not limited by control panel
Aux. relay contacts	2A @ 30VDC
Alarm contacts	500mA @ 36VDC (resistive)
Photoelectric sensitivity	3.1% + 0.5 - 1.0%
Operating temperature	32° to 100°F (0° to 37°C)
Operating humidity range	0 to 95% non-condensing
RFI immunity	20V/m minimum; 0-1000MHz
Color	white head and base
Field wiring size	12-24 AWG
Detector packaging	10 detectors per carton
Heat detector specifications	rate of rise - 15 F/min and >105 F (8.3 C/min and >40.6 C)
UL 2-wire compatibility identifier:	
521/528 - DIP switch 1 ON	S09A
521/528 - DIP switch 1 OFF	S10A, S11A (RX models)
511/518	S10A
Drift compensation adjustment	1.0%/ft. max
Detector head dimensions	5 in. (12.7cm) diameter; 2 in. (5cm) height
Mounting dimensions	4.75 in. (12.1cm) diameter; 0.3 in. (0.8cm) height
Reset time	1 second minimum
Listings:	
511/521/541	UL 268
518/528/548	ULC

Product Ordering

Model	Description
511C/518C	2-wire, photoelectric, 6.5-33VDC
511AFT/518AFT	2-wire, photoelectric, 6.5-33VDC, rate of rise heat sensor
521B/528B	2-wire, photoelectric, 6.5-33VDC
521BXT/528BXT	2-wire, photoelectric, 8.5-33VDC, multi-criteria algorithms, fixed/rate of rise heat
521CRXT/528CRXT	2-wire, photoelectric, 8.5-33VDC, aux. relay, multi-criteria algorithms, fixed/rate of rise heat
541C/548C	4-wire, photoelectric, 8.5-33VDC
541CXT/548CXT	4-wire, photoelectric, 8.5-33VDC, multi-criteria algorithms, fixed/rate of rise heat
541AXT/548AXT	4-wire, photoelectric, 6-20VDC, multi-criteria algorithms, fixed/rate of rise heat
Accessories:	
505	Module that interprets the 521/528 models CleanMe signal for panel and can convert 2-wire 521models to 4-wire inputs on the panel.
401	Test magnet in plastic shell for pole mounting
SM-200	Smoke! in a can® (canned smoke) for functional testing of smoke detectors
211	Replacement optical chambers (set of 10)



PH 503.692.4052
 USA & Canada: 800.547.2556
 Technical Service: 800.648.7424 FaxBack: 800.483.2495
 www.sentrol.com www.interlogixinc.com

©2001 Interlogix, Inc.
 Interlogix, Caddx, ESL, ITI and Sentrol are trademarks of Interlogix, Inc.
 All other trademarks are properties of their respective owners.

SECURITY & LIFE SAFETY GROUP
 CADDX | ESL | GBC | ITI | KALATEL | SENTROL

1036205 Rev A 06/01