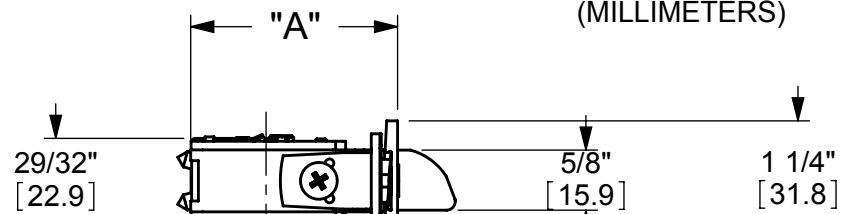
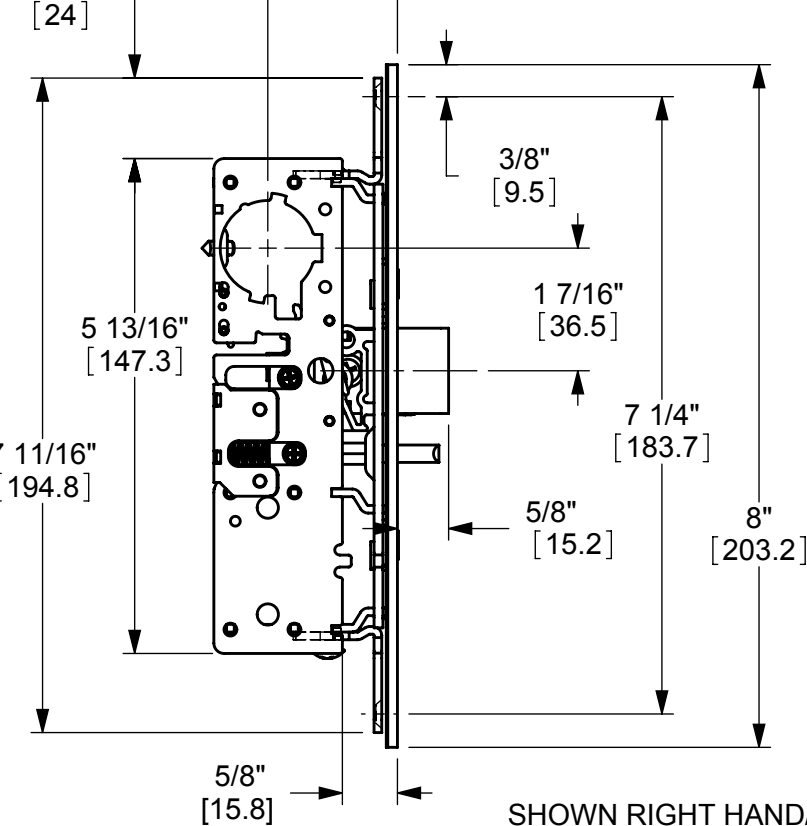


DIMENSIONS

INCHES
(MILLIMETERS)

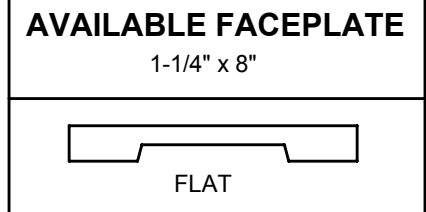


BACKSET MEASURED AT ϕ OF DOOR EDGE



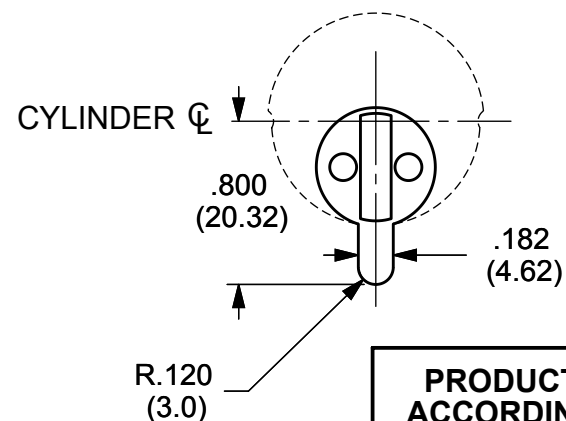
SHOWN RIGHT HAND/LHR BOLT IS REVERSIBLE FOR OPPOSITE HAND

BACKSET	"A"
1-1/2" (38.1)	2.14 (64.3)
2-3/4" (69.85)	3.39 (86.11)



FLAT FACE PLATE CAN BE ADJUSTED FOR RIGHT OR LEFT BEVELED EDGE DOORS

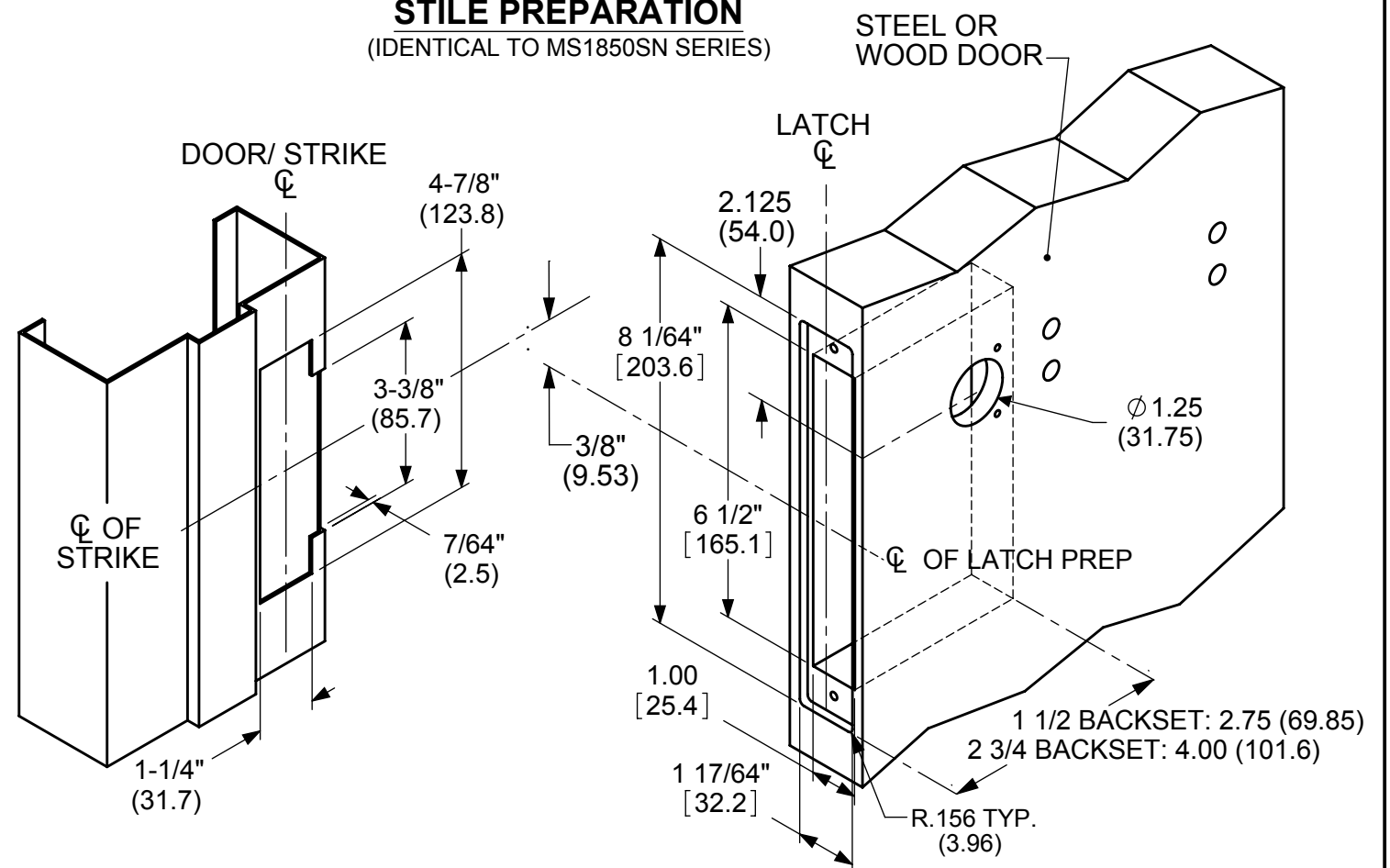
CAM TOLERANCE:
 $\pm .005$
($\pm .13$)



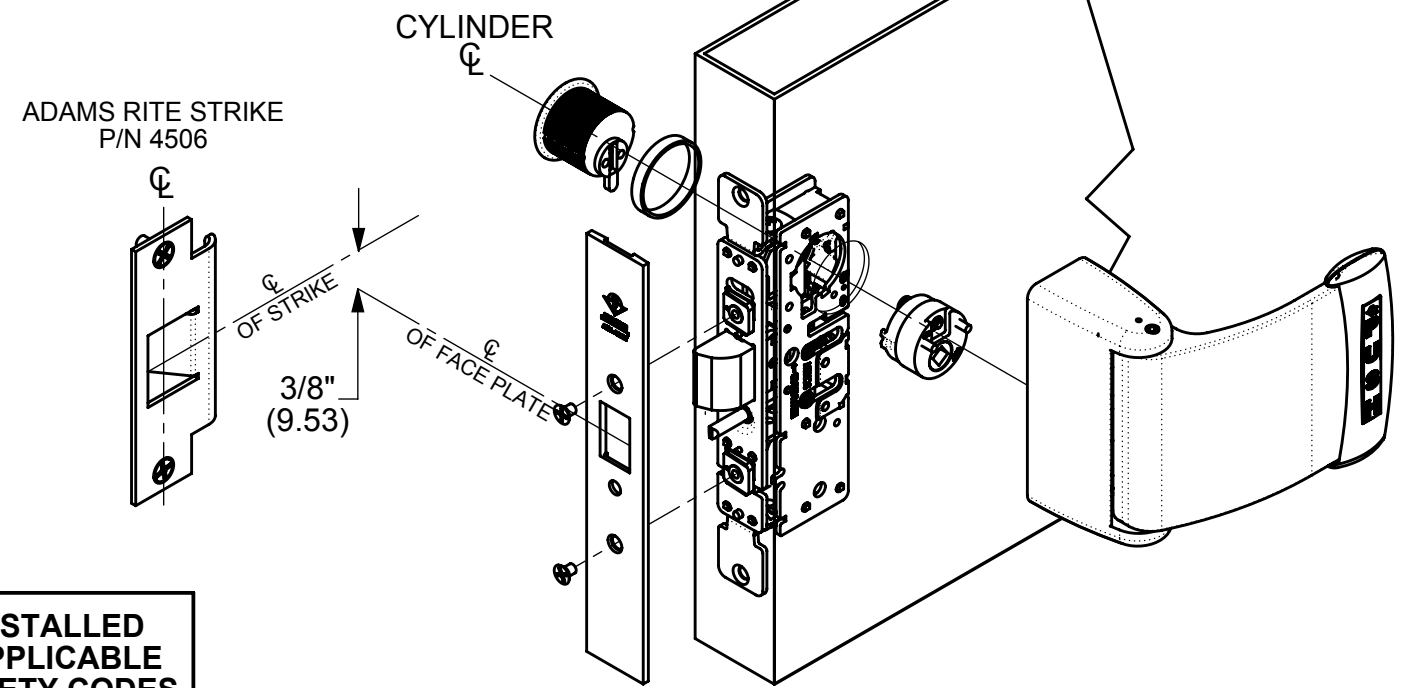
PRODUCT MUST BE INSTALLED ACCORDING TO ALL APPLICABLE BUILDING AND LIFE SAFETY CODES

STILE PREPARATION

(IDENTICAL TO MS1850SN SERIES)



LATCH, PADDLE, & CYLINDER INSTALLATION



CYLINDER CAM

4900 Series Deadlatches are operable by any standard 1-5/32" diameter mortise cylinder with special MS® cam dimensioned as shown. Cylinders with MS® cams can be readily obtained from most cylinder manufacturers. See catalog for cylinder make and trim ring information.



ASSA ABLOY

260 Santa Fe Street
Pomona, CA 91767
PH:(909) 632-2300
FX:(909) 632-2369

4920 DEADLATCH

80-0180-350

Rev. H

ECN: 11584

Date: 07/12/10

INSTALLATION INSTRUCTIONS

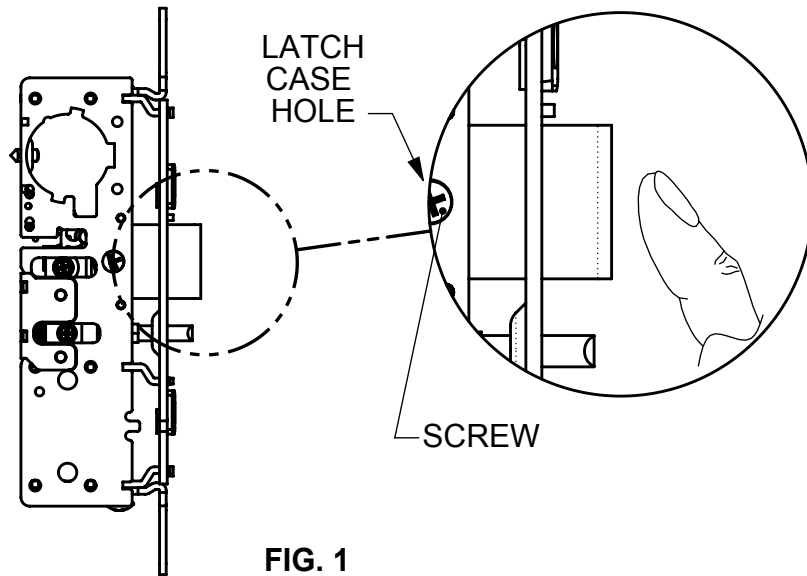
Page 1 of 2

Appvd: MP

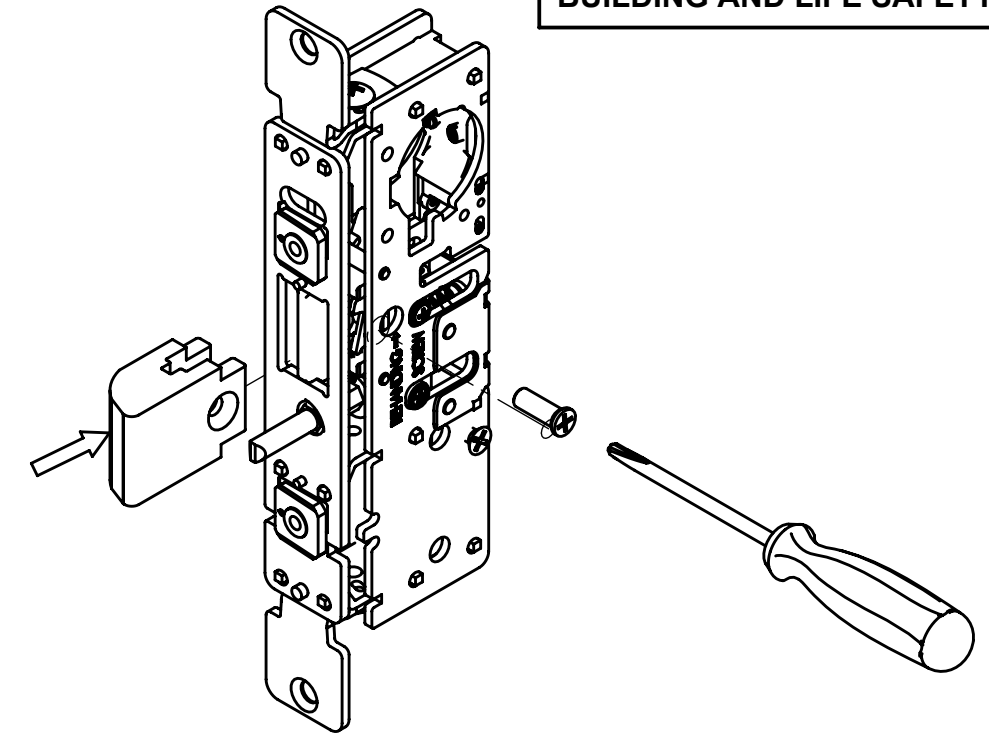
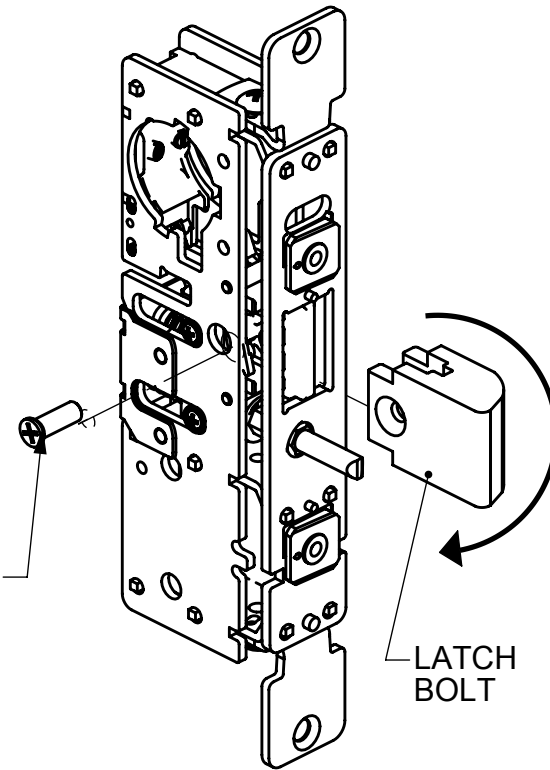
Date: 07/15/10

RE-HANDING

Depress latchbolt until #10-32 x 9/16" screw can be seen through the latch case hole (Fig. 1). Remove and rotate latch bolt to the opposite hand (Fig. 2). Depress latchbolt until the countersink screw hole on the latchbolt can be seen through the case hole. Insert and fasten #10-32 x 9/16" screw (Fig. 3).



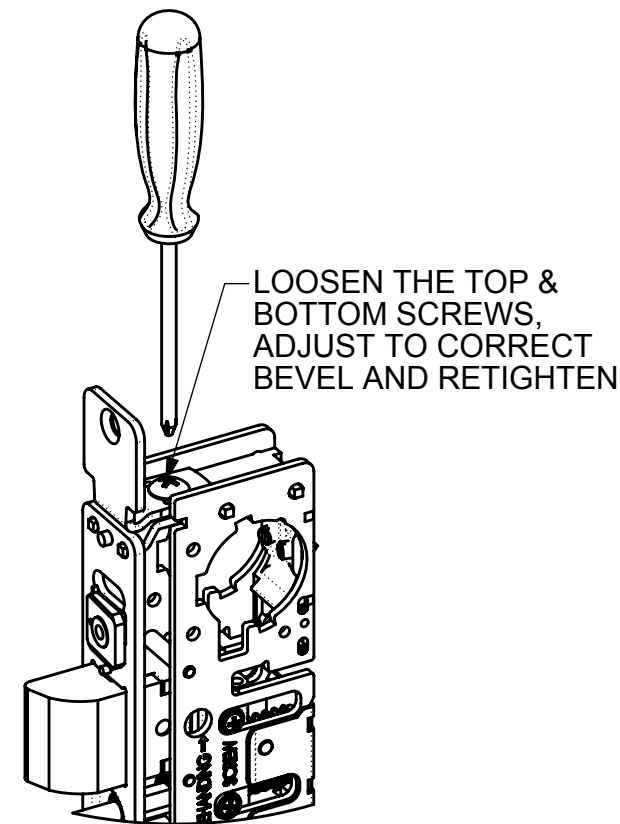
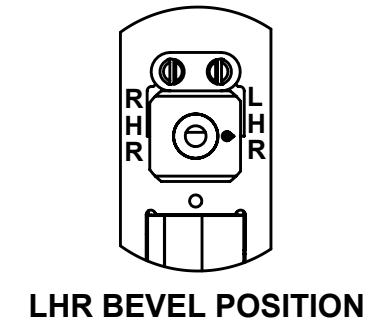
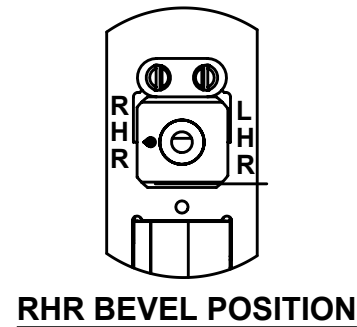
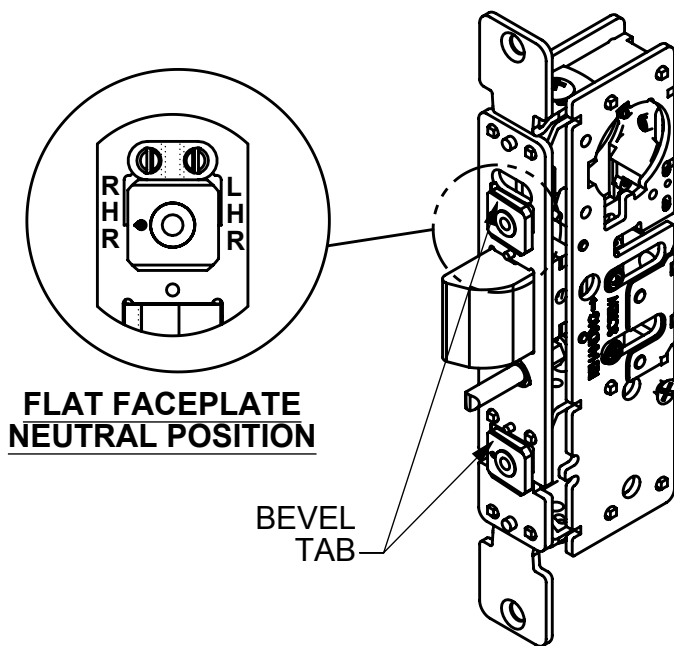
#10-32 X 9/16"
FLAT HD. SCREW



**PRODUCT MUST BE INSTALLED
ACCORDING TO ALL APPLICABLE
BUILDING AND LIFE SAFETY CODES**

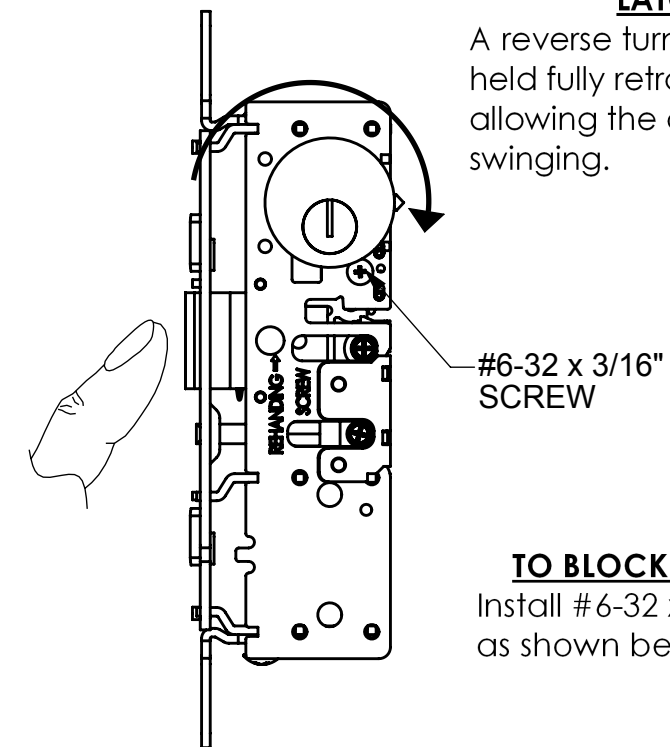
BEVEL ADJUSTMENT

Rotate bevel tab to desired hand. Using the bevel adjustment allows the flat faceplate to work in beveled stiles. Flat faceplate is included.



LATCH HOLDBACK

A reverse turn of the key (while bolt is held fully retracted) retains the bolt, allowing the door to be free swinging.



TO BLOCK HOLDBACK FEATURE

Install #6-32 x 3/16" screw into case as shown before installing in door.



ASSA ABLOY

260 Santa Fe Street
Pomona, CA 91767
PH:(909) 632-2300
FX:(909) 632-2369

4920 DEADLATCH

80-0180-350

Rev. H

ECN: 11584

Date: 07/12/10

INSTALLATION INSTRUCTIONS

Page 2 of 2

Appvd: MP

Date: 07/15/10