

Features

- 24VDC tamperproof selectable candela options of 15, 30, 60, 75, and 110
- Speaker voltage 25 or 70.7 VRMs standard, field selectable
- Field selectable power taps: 1/8W, 1/4W, 1/2W, 1W, 2W, 4W
- Xenon strobe maintains constant flash rate (1Hz)
- High quality dBA output (intelligible)
- Frequency range 400-4000 Hz
- Screw Terminals, separate in/out wiring (18-12 gauge)
- Tamperproof grill
- Faceplate available in red or off-white
- Product includes a 5 year warranty



7320-0328:0207

Application

The Potter SPKSTR-24WLP is a wall mount, low profile, field adjustable speaker/strobe designed to meet code requirements for audio, visual, and voice communications. The SPKSTR-24WLP Series are quality speaker products offering dependable evacuation signaling, visual alarms, or a combination of both.

Description

The SPKSTR-24WLP has high output tamperproof candela selections of 15, 30, 75, 95, and 115. The SPKSTR-24WLP provides a 25 or 70.7 VRMs speaker with field selectable power taps of 1/8W, 1/4W, 1/2W, 1W, 2W, or 4W. The SPKSTR-24WLP strobes can be synchronized using the Potter AVSM Synchronization Control Module, FACP, or power supplies that produce a Gentex Synchronization Protocol.

The SPKSTR-24WLP can be mounted to a 4" X 2 1/8" deep back box without an extension ring or Potter SPKRBB surface back box.

The SPKSTR-24WLP is constructed of high textured plastic.

Product Listings

- ANSI/UL 1638, ANSI/UL1971 and ANSI/UL 1480
- CSFM 7320-0328:0207

Product Compliance

- Americans with Disabilities Act (ADA)
- NFPA 72
- IBC/IFC/IRC

Technical Specifications

Speaker Operating Voltage	25VRMs or 70.7VRMs
Strobe Operating Voltage	16-33VDC
Synchronization Module	Potter AVSM
Environmental Limitations	32°F to 120°F Indoor Only
Unit Dimensions	6.1" (15.494cm) square X 1.88" (4.7752cm) deep
Back Box	4" X 2 1/8" deep box or Potter SPKRBB surface back box
Shipping Weight	1.5 lbs.

SPKSTR-24CLP Product Strobe Current Ratings					
Candela	15 cd	30 cd	60 cd	75 cd	110 cd
24 VDC	55 mA	63 mA	88 mA	112 mA	136 mA
UL Max	78 mA	96 mA	137 mA	180 mA	224 mA

Speaker dBA @ 10 ft.		
Input Watts	25 Volts	70.7 Volts
1/8	74.6 dBA	73.7 dBA
1/4	77.7 dBA	76.7 dBA
1/2	80.5 dBA	79.6 dBA
1	83.1 dBA	82.5 dBA
2	85.6 dBA	85.4 dBA
4	87.9 dBA	87.9 dBA

NOTE:

- Potter does not recommend using a coded or pulsing signaling circuit with any of our strobe products.

Low Profile Evacuation Speakers		
Model Number	Description	Stock Number
SPKSTR-24WLPR	Speaker/Strobe Red	4890210
SPKSTR-24WLPW	Speaker/Strobe White	4890211
SPKSTR-24WLPPR	Speaker/Strobe Plain Red	4890212
SPKSTR-24WLPPW	Speaker/Strobe Plain White	4890213

Model Designations

- P** = Plain (No Lettering)
- W** = Off-White Faceplate
- R** = Red Faceplate

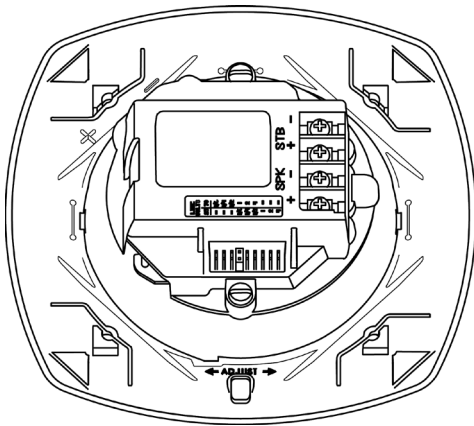
Plain units are non-returnable

Architect and Engineering Specifications

The fire alarm speaker shall be Potter SPKSTR-24WLP or equivalent. The speaker shall be capable of producing alarm tones or voice on all 25 or 70.7 VRMs audio systems. The speaker shall provide incremental tap settings of 1/8, 1/4, 1/2, 1, 2, or 4 watts. Minimum dBA ratings at 1/4 watt shall be 76.7 dBA and at 4 watts 87.9dBA. Tap settings shall be adjustable with field selectable jumper pins. The speaker shall also have an optional visual signal capability.

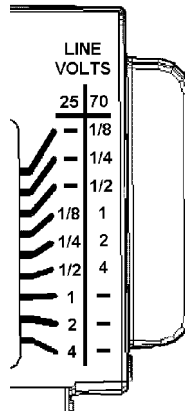
The visual signal shall have a 1 Hz flash rate regardless of input voltage. All field wiring connections shall be made via separate in-out terminal connections and the speaker or speaker strobe shall be ANSI/UL, CSFM listed and comply with all local, state and federal fire alarm codes/standards.

**SPKSTR-24WLP
Candela Selection**



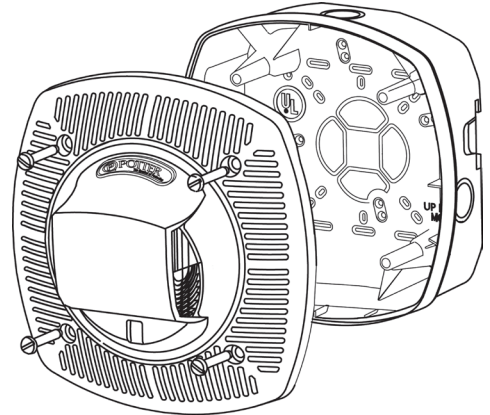
Adjust candela setting by turning dial with screwdriver. Candela selection is displayed on front of unit.

Power Tap Selection



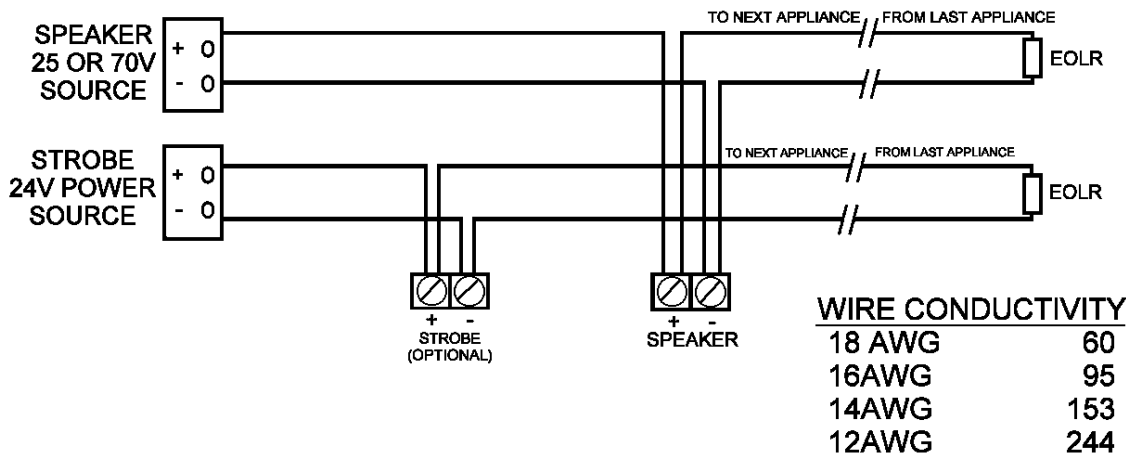
Adjust Power taps using needle nose pliers.

Mounting Diagram



Mounts to a standard 4" square X 2 1/8" back box or Potter SPKRBB surface back box.

Wiring Diagram



NOTE: DO NOT USE LOOPED WIRE UNDER TERMINALS. BREAK WIRE RUN TO PROVIDE SUPERVISION OF CONNECTION.

- **MAX WIRE DISTANCE - $\frac{\text{PANEL VOLTAGE} - \text{DEVICE MINIMUM VOLTAGE}}{\text{TOTAL CURRENT DRAW}}$ - X WIRE CONDUCTIVITY**
- **CAUTION: APPLIES ONLY TO REGULATED SUPPLIES.**
- **NOTICE: POWER IS SUPPLIED TO DEVICES WHEN CONTROL PANEL IS LATCHED.**