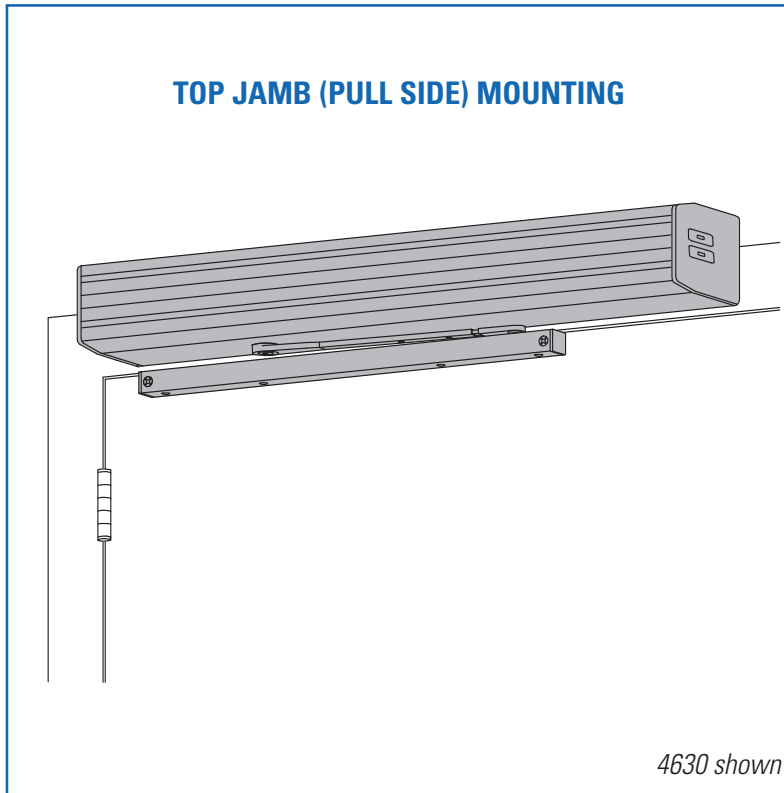


LCN 4630 SERIES



The 4630 AUTO EQUALIZER™ is LCN's SMART & RELIABLE electrically powered low-energy power operator. It provides easy access for people with disabilities, the elderly, or the frail. Designed primarily for manual opening applications that occasionally required automatic opening.

- ▶ Digital Control Box
- ▶ Utilizes a 10,000,000 Cycle Heavy Duty Door Closer
- ▶ On-Board Diagnostics
- ▶ On-Board Power Supply
- ▶ Factory-Default Memory
- ▶ Plug-and-Play Connections
- ▶ No Destruct Feature
- ▶ No Guard Rails or Safety Mats Required

- ▶ Standard, top jamb (pull side) mounted 4630 series closer shipped with single lever (standard) arm, metal cover, standard track, and wood and machine screw pack. Actuators available separately, see page 121.
- ▶ Meets ADA requirements (power mode).
- ▶ Non-sized cylinders for interior doors to 4'0" and exterior doors to 3'0".
- ▶ Non-handed for either right or left swinging door.
- ▶ 4630 has easily accessible switches to provide on/off and continuous hold open functions. 4630CS provides concealed on/off power switch. Control module provides all timing and sequential door functions, electric strike controls and adjustments for opening speed and force.
- ▶ Standard or optional custom powder coated finish, end caps are black.
- ▶ Optional plated finish on cover, arm, and fasteners.

4630 Series is UL and cUL listed with standard arm for self-closing doors and meets the provisions of ANSI Standards A117.1, A156.19, and the Americans with Disabilities Act.

MOUNTING				FINISH		COVER		CYLINDER			*ARM FUNCTION				
●	○	○	○	○	●	○	●	○	●	○	90°	○	○	○	○
○	○	○	○	○	○	○	○	○	○	○	○	○	○	○	○
○	○	○	○	○	○	○	○	○	○	○	○	○	○	○	○
○	○	○	○	○	○	○	○	○	○	○	○	○	○	○	○

- AVAILABLE
- NOT AVAILABLE

♿ Meets ADA requirements (power mode).
 * See individual series for maximum manual opening.
 ** Switch provided for continuous hold open (4630 only).

LCN 4630 SERIES

MOUNTING DETAILS

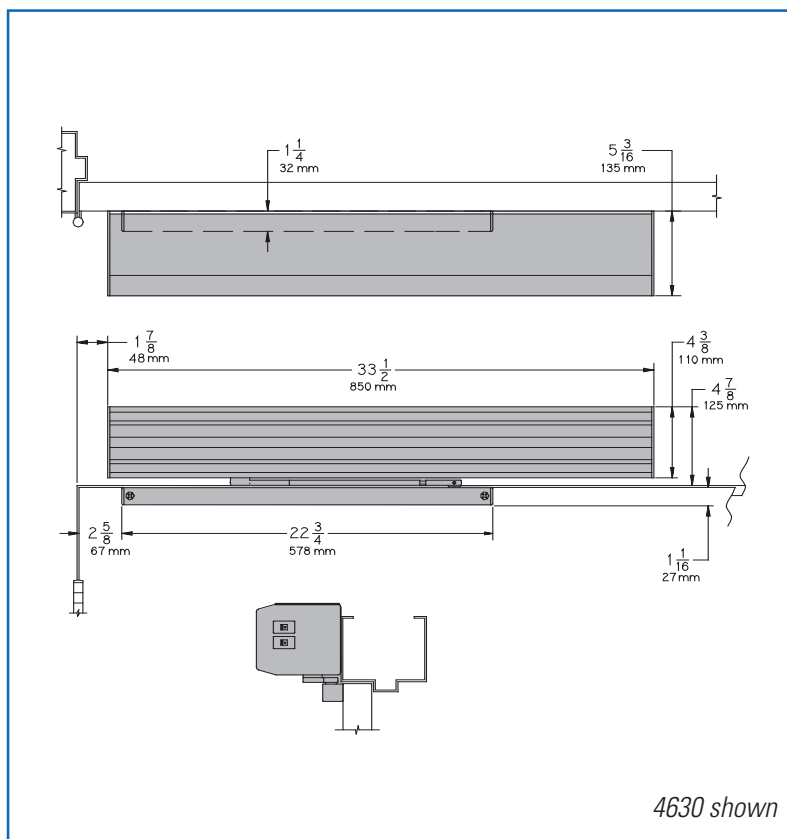
TOP JAMB (PULL SIDE) MOUNTING

MAXIMUM OPENING

Templating allows 90° power opening and 170° manual opening.

Please note that many track style door closers are capable of allowing 180° of door swing. Be aware that the majority of track style closers are at their weakest closing force in the 180 – 130° range. Consult factory for applications where exterior or large/heavy door must swing 180°.

Consult factory for all pivot mounted installations.



- ▶ **Butt Hinges** should not exceed 5" (127 mm) in width.
- ▶ **Auxiliary Stop is recommended.**
- ▶ **Reveal** should not exceed 1/8" (3 mm).
- ▶ **Head Frame** minimum 2" (51 mm).
- ▶ **Top Rail** minimum 1 1/8" (29 mm).
- ▶ **Opening Time and Force** are variable by adjustments to the electronic control module located on the operator assembly. Maximum hold open time adjustable up to approximately five minutes.
- ▶ **System Diagram** See "AUTOMATIC OPERATORS" section page 35 for typical system wiring and pages 36-37 for electrical data.

Special Templates

Customized installation templates or products may be available to solve unusual applications. Contact LCN for assistance.

LCN 4630 SERIES

CYLINDERS

CYLINDER ONLY, 4631-3971

Standard, non-handed, cast iron cylinder.

CYLINDER ASSEMBLY, 4631-3071

Standard, non-handed, cast iron cylinder and mounting plate. Includes; 4630-3454 Motor Clutch, 4630-3180 I/O Board Assembly and 4630-3462 Controller.

CYLINDER ASSEMBLY, 4631-3071CS

Standard, non-handed, cast iron cylinder and mounting plate. Includes; 4630-3454 Motor Clutch, 4630-3180 I/O Board Assembly and 4630-3462 Controller. Same as a 4630-3071 assembly except on/off switch is concealed in endcap and no hold open switch is included. (separate key switches suggested)

COVERS

COVER, 4630-72MC

Standard, non-handed metal cover.

TRACKS

STANDARD TRACK, 4630-3038

Standard non-handed track.
Will not accept hold open clip or bumper assembly.

ARMS

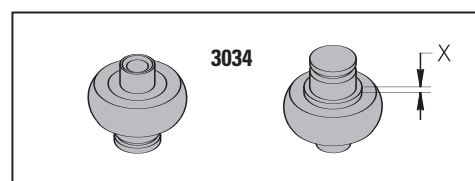
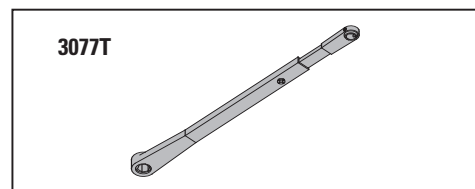
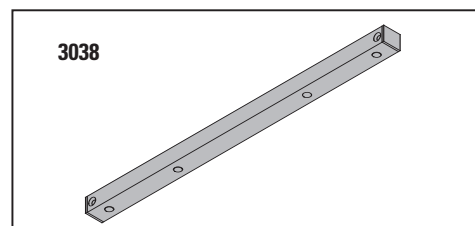
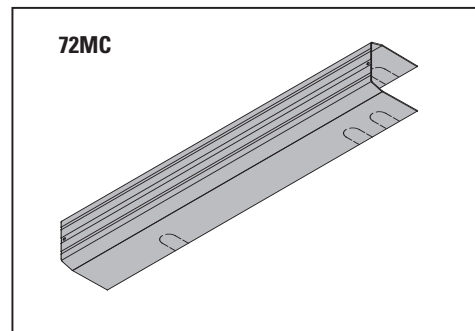
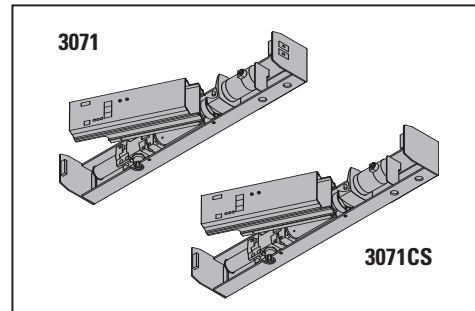
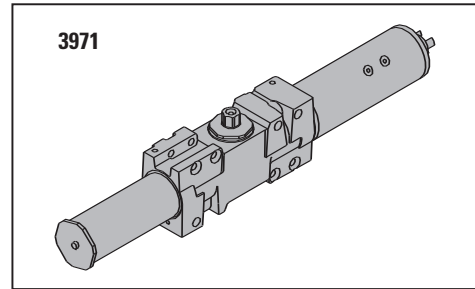
STANDARD ARM, 4630-3077T

Non-handed arm.
Track roller not included with arm.

INSTALLATION ACCESSORIES

TRACK ROLLER, 4630-3034

Quiet low friction roller assembly.
Shoulder dimension "X" = 1/8" (3mm).



LCN 4630 SERIES

INSTALLATION ACCESSORIES

SWITCH END CAP, 4630-334

End cap (black powder coat only) with cut outs for installing on/off and hold open switches.

BLANK END CAP, 4630-334-2

Black powder coat only.

SWITCH END CAP, 4630-334CS

End cap and switch (black powder coat only) for concealed switch option.

ON/OFF SWITCH ASSEMBLY, 4630-3179-1

Red rocker switch. Plugs into high voltage PC board.

HOLD OPEN SWITCH ASSEMBLY, 4630-3179-2

Black rocker switch. Plug into low voltage PC board.

PC BOARD ASSEMBLY, 4630-3180

High and low voltage PC boards connected to mounting bracket.

MOTOR/CLUTCH ASSEMBLY, 4630-3454

A geared assembly in an LCN power operator that incorporates a "no destruct" feature.

CONTROL BOX ASSEMBLY, 4630-3462

Digital controller with built-in 12/24 VDC power supply. Programming and timing functions are adjusted on controller.

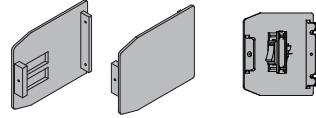
AC POWER CABLE, 4630-3498-2

2 wire cable to connect 120 VAC from PC board assembly to controller.

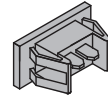
RIBBON CABLE CONNECTOR, 4630-3498-1

16 wire ribbon cable connecting 1-24 pin terminal connectors to controller.

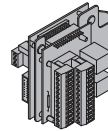
334
334-2
334CS



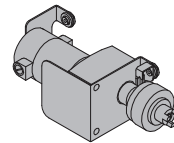
3179-1
3179-2



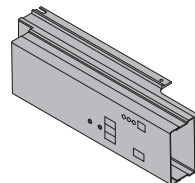
3180



3454



3462



3498-2



3498-1



LCN 4630 SERIES

TABLE OF SIZES

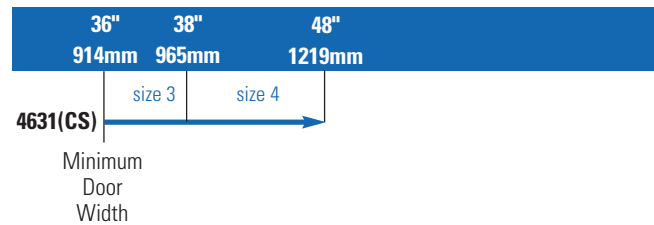
Non-Sized 4630 series cylinder is adjustable from size 1 through size 4 and is shipped set to size 3. Closing power of 4630 Series closers may be increased 50%.

→ Indicates recommended range of door width for closer size.
Note: Minimum door width 36" (914 mm).

EXTERIOR (and VESTIBULE) DOOR WIDTH



INTERIOR DOOR WIDTH



HOW-TO-ORDER 4630 SERIES CLOSERS

1. SPECIFY FINISH.

- Standard Powder Coat _____
Aluminum, Dark Bronze, Brass.

Closer will be shipped with:

- STANDARD CYLINDER,
- STANDARD METAL COVER,
- STANDARD ARM,
- TRACK ROLLER,
- STANDARD TRACK and
- WOOD and MACHINE SCREW PACK,
unless options listed below are selected.

CLOSER OPTIONS

CYLINDER ASSEMBLY

- 4630CS (concealed on/off switch)
(separate key switches suggested)

FINISH

- Custom Powder Coat (RAL) _____
- Plated Finish, US _____

SCREW PACK

- TB*, Wood & Machine Screw (TBWMS)
- TORX Machine Screw (TORX)
- TB* & TORX Machine Screw (TBTRX)

*Specify door thickness if other than 1 3/4".

SPECIAL TEMPLATE

- ST-_____