



The 4500 Series is a Complete One Box Solution

# 4500C

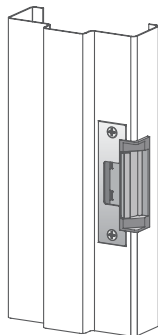
## Complete One Box Solution

The **low profile, heavy duty, fire-rated** solution

*Shown with mortise lock faceplate*

The 4500C series electric strike is designed for installation in 2" UL 10C fire rated frame with 1/2" drywall penetration. The 4500C features a low profile 1-3/8" depth, heavy-duty stainless steel construction. Its strength is derived from a unique keeper pin locking design, enabling the 4500C to exceed the ratings of the frame, door and locking hardware. The 4500C includes two faceplates designed to accommodate either cylindrical or mortise locksets up to a 3/4" throw latchbolt.

*See the Compatibility Chart on pages 96-97 for mortise lock compatibility.*



### Specifications

- UL 10C fire rated, 3 hour (fail secure only)
- CAN4-S104 (ULC-S104) fire door conformant
- UL 1034 burglary resistant listed
- ANSI/BHMA A156.31, Grade 1
- NFPA-252 fire door conformant
- ASTM-E152 fire door conformant
- California Fire Marshall listed
- Patent: 5,934,720

### Frame Application

- Metal
- Wood

### Electrical

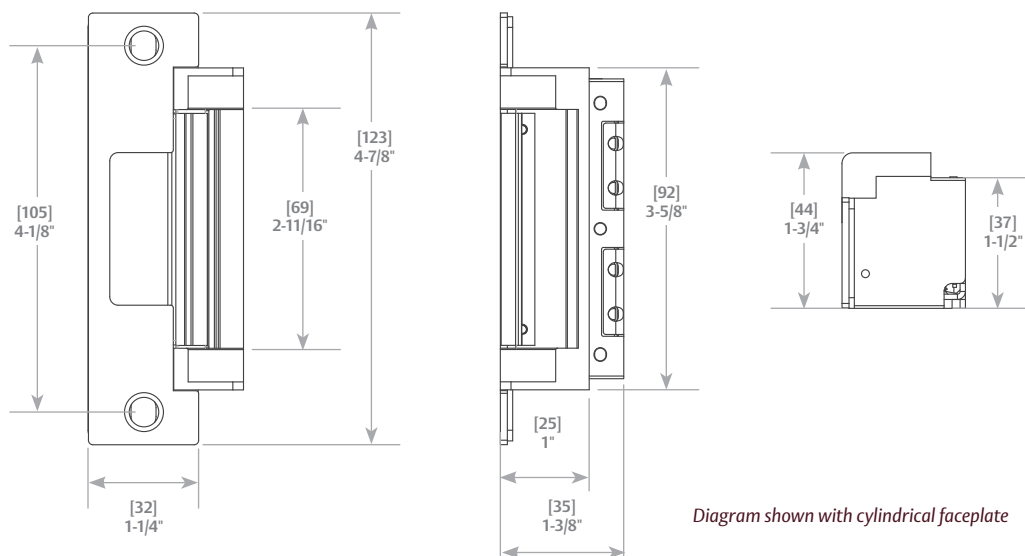
- .24 Amps @ 12VDC/VAC
- .12 Amps @ 24VDC/VAC
- DC Continuous duty/AC intermittent duty only

## 4500C Model

**4500C**  
Complete electric strike



Model 4500C includes faceplates for cylindrical and mortise locks



### Standard Features

- Stainless steel construction
- Tamper resistant
- Static strength 3,000 lbs.
- Dynamic strength 100 ft-lbs.
- Endurance 1,000,000 cycles
- Field selectable fail safe / fail secure
- Dual voltage 12 or 24 VAC/VDC
- Two faceplates provided to accommodate a variety of locksets
- Non-handed
- Internally mounted solenoid
- Accommodates up to a 3/4" latchbolt
- Strike body depth 1-3/8"
- Plug-in connector
- Trim enhancer
- Full keeper shims for horizontal adjustment
- Five-year limited warranty

### Optional Features

- **LBM** » Latchbolt monitor
- **LBSM** » Latchbolt strike monitor

### Accessories

- 4500-105** » Trim enhancer - black
- 4500-110** » Replacement strike plate
- 4500-131** » Filler block - 7/16"
- 150** » Strike latch guard
- 154-MTK** » Metal template kit
- 2001M** » Plug-in bridge rectifier
- 2004M** » ElectroLynx® adapter
- 2005M3** » SMART Pac® III
- 2006M** » Plug-in buzzer
- 4501-1/2** » 1/2" stackable lip extension
- 4501-1** » 1" stackable lip extension

### Finishes

- 630** » Satin stainless steel
- 605** » Bright brass
- 606** » Satin brass
- 612** » Satin bronze
- 613** » Bronze toned

**629** » Bright stainless steel  
*\*Complete Pacs are only available in the 630 finish*



CYLINDRICAL  
LOCKSETS



MORTISE LOCKS  
WITHOUT DEADBOLTS



FIELD SELECTABLE  
(12 OR 24VDC)



FIELD SELECTABLE  
(FAIL SECURE / FAIL SAFE)



FIRE RATED



GRADE 1



UL 1034  
BURGLARY LISTED

**hes**  
**ASSA ABLOY**