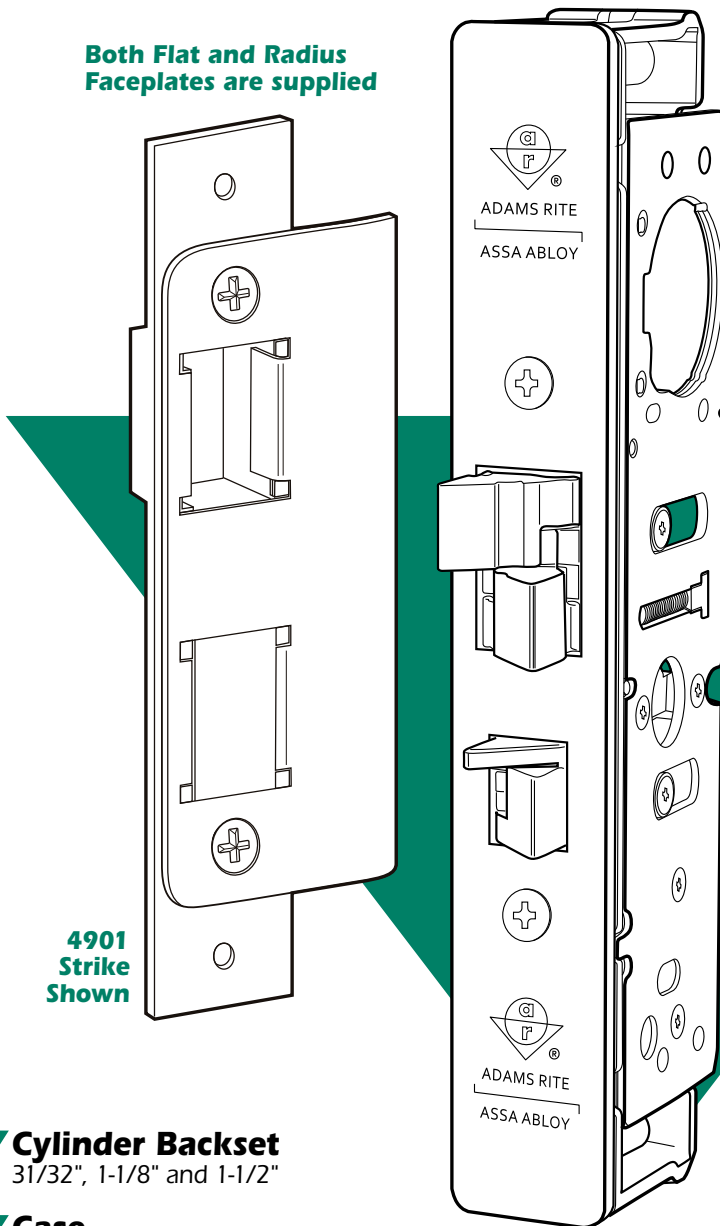




Both Flat and Radius Faceplates are supplied



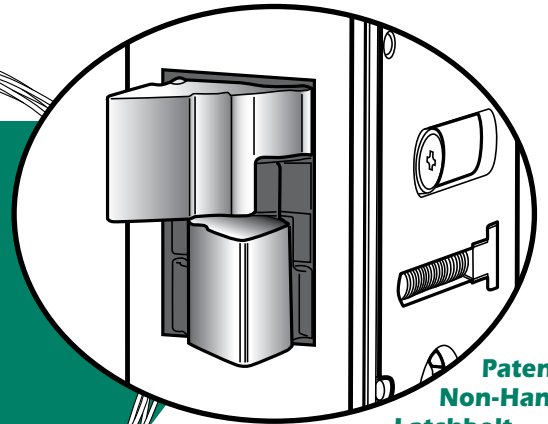
4901 Strike Shown

Electrified Deadlatch

For Aluminum Stile Doors

4300 Series eLatch

ANSI/BHMA Type E8231 (Grade 1)



Patented Non-Handed Latchbolt



Patent Pending

▼ Cylinder Backset

31/32", 1-1/8" and 1-1/2"

▼ Case

Steel with corrosion-resistant plating. 15/16" x 5-13/16" x depth. (Depth varies by backset. See table on reverse.)

▼ Function

The 4300 eLatch combines mechanical locking hardware with electrified access control while working within standard aluminum entrance door preparations. Always operable from the inside via handle or paddle device. Entry via keyed mortise cylinder or access control element. Fail-secure lock with optional form "C" latch status monitor. The standard 4300 operates on 12, 16 or 24 volt DC power, and is rated for continuous duty. Units are equipped with a quick connect plug-in type connector. Interchangeable without stile modification for MS® Deadbolts or 4500/4900 Deadlatches.

▼ Latchbolt

5/8" x 1" x 5/8" throw. Stainless steel.

▼ Auxiliary Bolt

All metal. Deadlocks latchbolt to prevent "loiding" or tampering.

▼ Faceplates

1" x 6-7/8". Both flat and radius faceplates are supplied. Flat faceplates can also be adjusted in the field for right or left beveled edge doors.

▼ Strikes

Pick from optional strikes. 4304 no-cut surface mounted strike for easy retrofits. Specify mortised-flush versions 4901 when covering existing MS® deadbolt preparation or for new applications. 4901 is available with radius profiles for pairs of doors, and with extended lips of center-hung or thick door applications. (See page SW-30 for details.)

▼ Operation

Turn key, apply voltage, or operate handle or paddle to release the spring-loaded latchbolt. Electrically rated for continuous duty for timed applications. Interface with access control. Uses any standard mortise cylinder with MS® cam (see page SW-37). 1-3/4" minimum door thickness required.

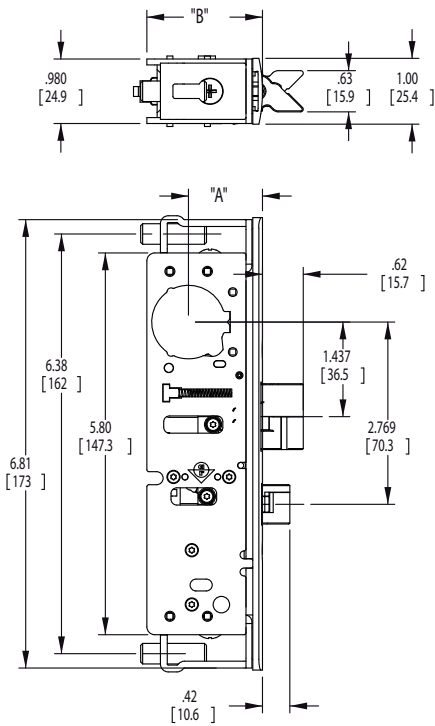


4300 eLatch

DIMENSIONS

INCHES
MILLIMETERS

Nominal, subject to tolerance extremes.

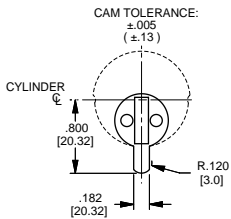


BACKSET A	DIM. "B"
31/32" 24.6	1.60 40.6
1-1/8" 28.6	1.76 44.6
1-1/2" 38.1	2.14 54.3

ARMORED FACEPLATE 1" x 6-7/8"
FLAT (INCLUDED) P/N 24-0076-01-XXX*
RADIUS (INCLUDED) P/N 24-0076-02-XXX*
RADIUS W/ WEATHERSTRIP P/N 24-0076-03-XXX*

* Specify finish

FLAT FACEPLATE CAN BE ADJUSTED FOR RIGHT OR LEFT BEVELED EDGE DOORS
RADIUS WEATHERSTRIP IS OPTIONAL



Cylinder Cam

4300 Series Deadlatches are operable by any standard 1-5/32" diameter mortise cylinder with special MS® cam dimensioned as shown. Cylinders with MS® cams can be readily obtained from most cylinder manufacturers. See page SW-37 for cylinder make and trim.

HOW TO ORDER

Specify quantity and the following information.
Order related hardware separately

Backset
2 31/32"
3 1-1/8"
4 1-1/2"

Monitoring
0 None
M Monitored

Faceplate Finish
628 Clear Anodized
313 Dark Bronze Anod.
335 Black Anodized

4300 - 3 M - 2 01 - 628

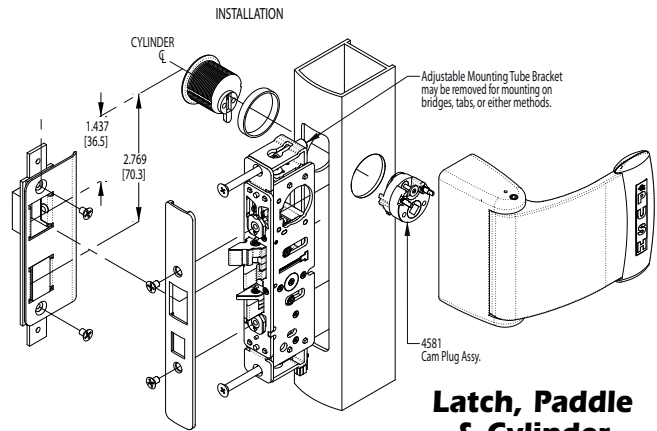
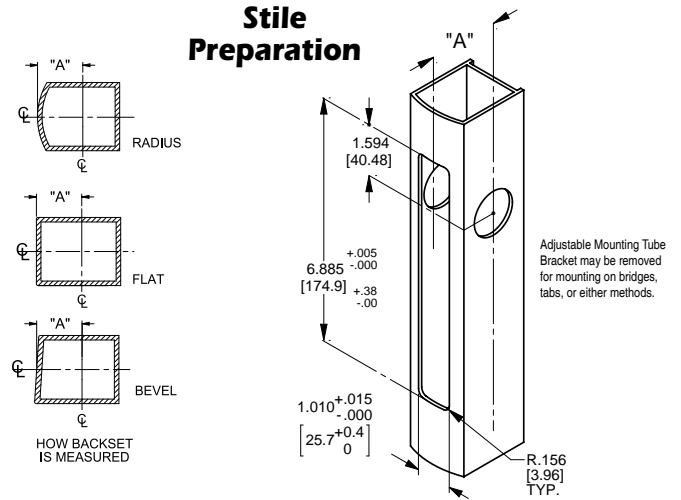
Strike
1 Surface Mt. (4304)
2 Mortised (4901) 4-5/8"

Strike Shape/Lip Length
01 Flat/Standard Jamb
02 Radius/Standard Stiles **
17 Flat/Centerhung 4.0" Jamb**
21 Flat/Centerhung 4.5" Jamb **
XX Other Lip Lengths*

** See page SW-30 for 4901 for available strike options.

INSTALLATION

Stile Preparation



Latch, Paddle & Cylinder Installation

VOLTAGE

Field selectable to match power source of 12, 16 or 24 VAC/VDC

CURRENT DRAW/AMPS

Volts	DC
12	.440
16	.458*
24	.230

* Required 16 VDC adapter (P/N VA 7400-16VDC)

OPTIONS

Backset, Strike and Finish must be specified when ordering. For Handles, see page SW-31, 32 and 33. For Paddles, see page SW-34 and 35. See page SW-31 for 4600 Lever. 91-0965 Universal Mounting Tab Kit. (Flat/Radius Stiles) 91-0966 Universal Mounting Tab Kit. (Beveled Stiles) 4612 Power Transfer.

For power sources order: 4605 Transformer/4603 Rectifier or PS-1.

STANDARD PACKAGE

Individually boxed with Flat and Radius Faceplates, Strike and machine screws for mounting. Supplied with universal cam plug 4581 to work with specified handles or paddle operators. Order cylinders, paddle, or handle separately. Shipping weight: 1-1/4lbs.