

Pedestal Installation Overview

A short overview of the various pedestal installations*



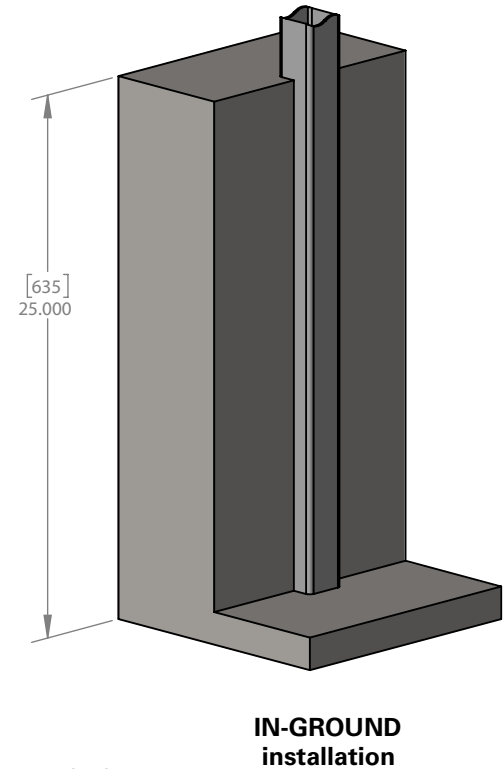
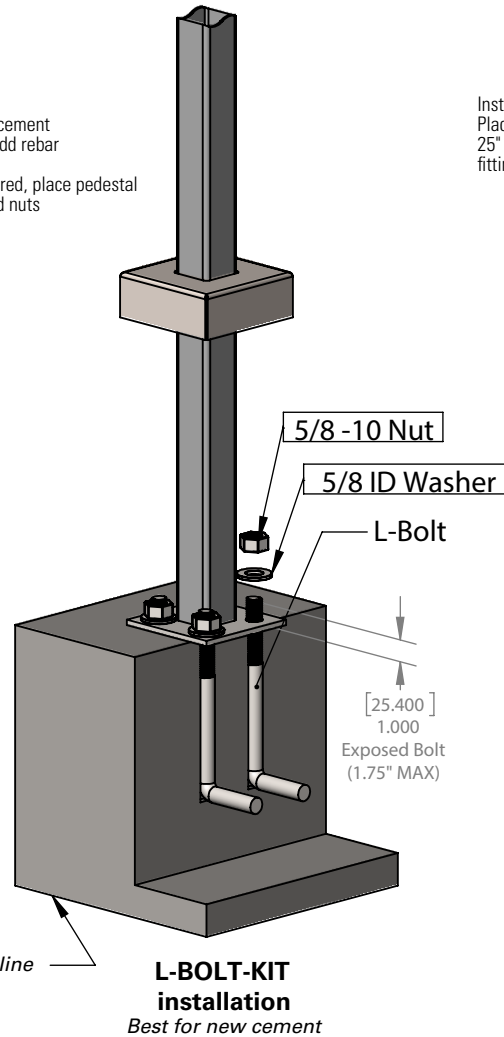
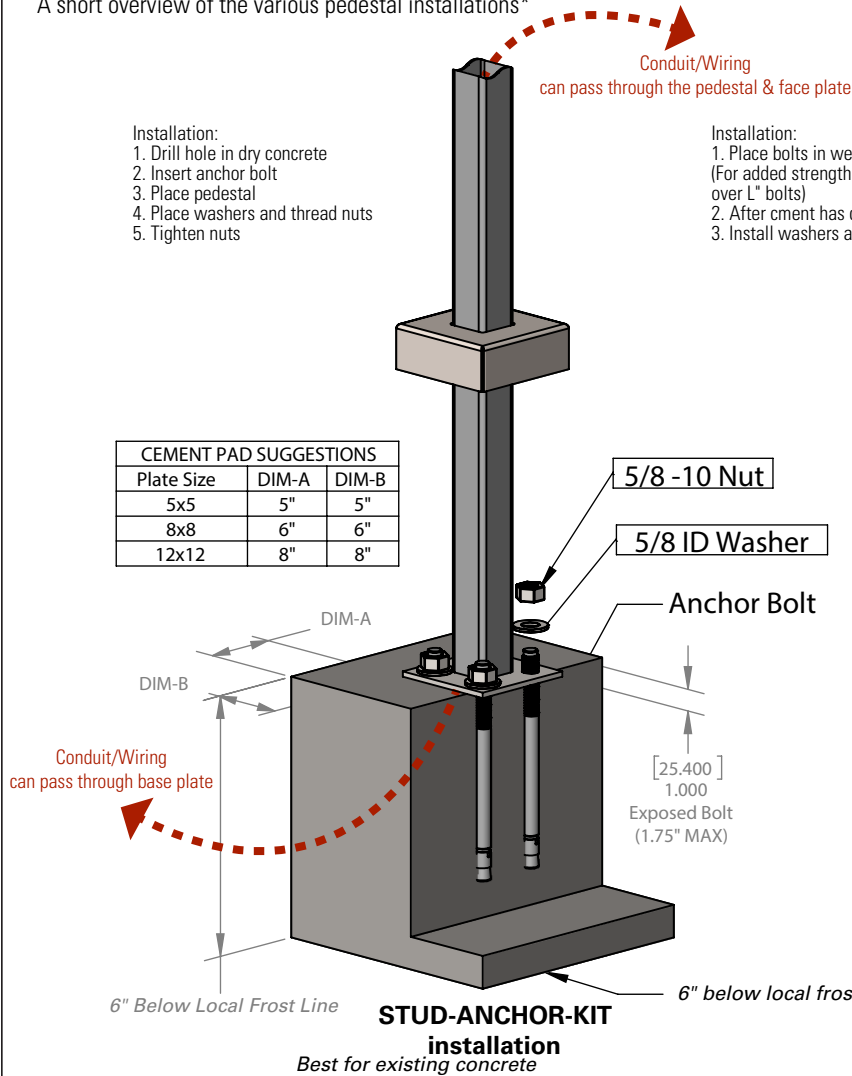
[mm]
in

- Installation:
1. Drill hole in dry concrete
 2. Insert anchor bolt
 3. Place pedestal
 4. Place washers and thread nuts
 5. Tighten nuts

- Installation:
1. Place bolts in wet cement (For added strength add rebar over L" bolts)
 2. After cement has cured, place pedestal
 3. Install washers and nuts

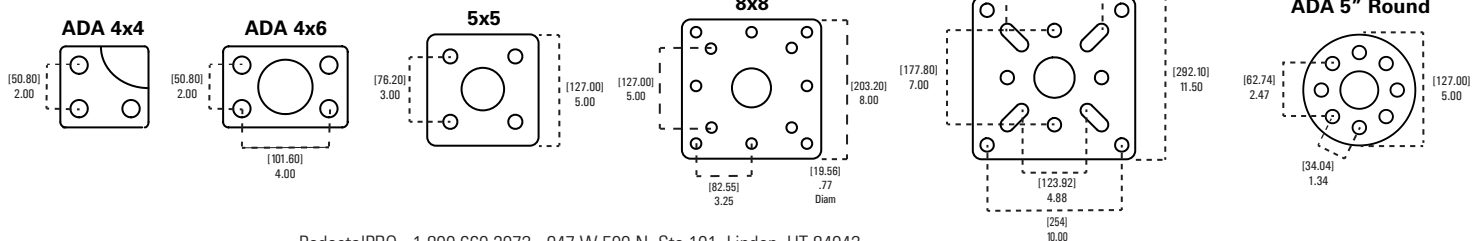
- Installation:
- Place pedestal in wet cement
25" Suggested. Make sure to connect 1/2" NPTF Conduit fitting if it is to be used.

CEMENT PAD SUGGESTIONS		
Plate Size	DIM-A	DIM-B
5x5	5"	5"
8x8	6"	6"
12x12	8"	8"



Standard Base Plates

These examples are not intended to be all-inclusive, but are shown for reference only. Please check the product data sheet or your actual pedestal to verify base plate layout and dimensions before installation.



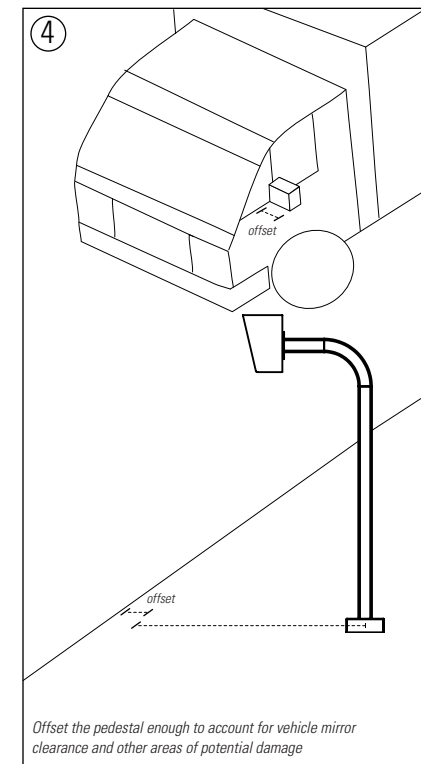
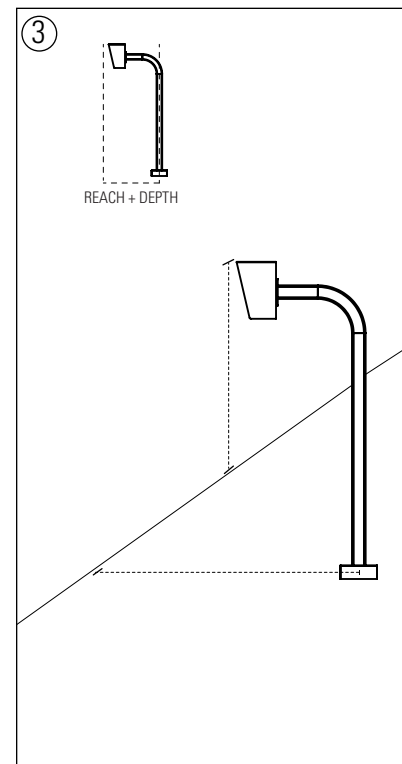
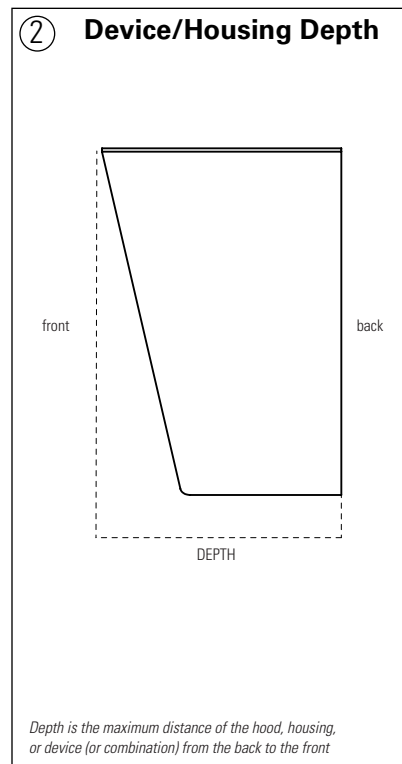
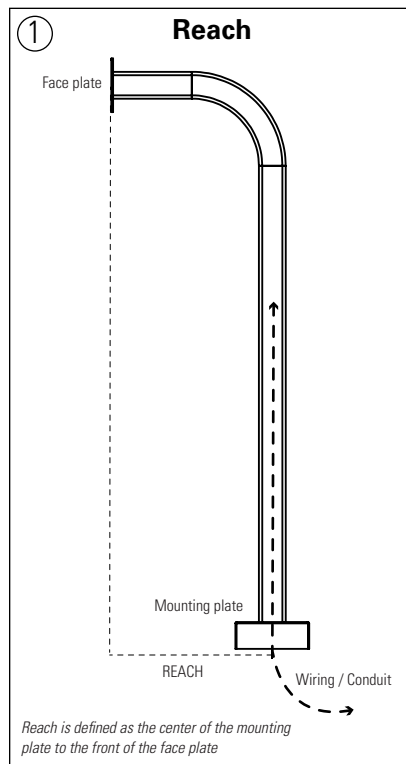
PedestalPRO - 1.800.660.3072 - 947 W 500 N, Ste 101, Lindon, UT 84042
www.pedestalPRO.com

*While we do our best to make sure this information is accurate and complete, our constant innovation may result in slight variations.

Find the right distance to mount the pedestal from the curb / vehicle



- ① Find the reach of the pedestal
- ② Find the maximum depth of the hood, housing, or device (or combination of these)
- ③ Add the reach and device depth
- ④ Offset pedestal enough to clear vehicle mirrors or other potential points of damage



This information is not intended to be all-inclusive and is given for general reference only. Please check the product data sheet or your actual pedestal to verify layout and dimensions before installation. The installer is responsible to check all dimensions prior to and during installation to account for actual conditions present on the particular install site.