

## 36"-48" 9C GOOSENECK PEDESTALS

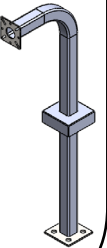


### PRO Features:

- 1) Universal face plate, 4" x 4" x .120" (11 gauge)
- 2) Universal base plate, 5" x 5" x .25" (1/4" plate)
- 3) Cover plate, 5.25" x 5.25" x 2.25" (16 gauge)
- 4) Heavy duty square tube 2" x 2" x .120" wall (11 gauge)
- 5) Mandrel system bend radius 6" on center (no neck collapse)
- 6) Phosphate pretreatment (rust inhibitor)
- 7) TGIC outdoor polyester powder coat with UV protectant
- 8) Includes carriage bolts (4) and nuts (4)
- 9) Boxed individually
- 10) Customizable dimensions and colors available upon request

### Models

Model #	Height	Reach	Color Code	Weight	Box Size
36-9C-(add color code)	36"	12"	-BLK = Black Wrinkle -WHI = White -YEL = Yellow	17 lbs.	39x12x7
42-9C-(add color code)	42"	12"	-BLK = Black Wrinkle -WHI = White -YEL = Yellow	18 lbs.	45x12x7
48-9C-(add color code)	48"	12"	-BLK = Black Wrinkle -WHI = White -YEL = Yellow	19 lbs.	51x12x7



### Description:

A sturdy, cost effective, pad mount pedestal meant to hold card readers, intercoms, keypads, telephone entry systems and housings.

Made from heavy duty steel it will withstand most abuse from pedestrians and Mother Nature. It passed our facewind testing protocol which determined it can survive sustained Category 5 hurricane winds of 157mph. Competing products are made from weaker .074" thin (14-gauge) tube.

Pedestal PRO goosenecks are bent into the tightest 6" center radius using a state-of-the-art mandrel bending/die system in which the neck is formed uniformly, without collapsing the inside of the neck. Some competing

products are bent to larger radius and therefore don't look as professional. Unlike other competing products, this gooseneck contains a sliding cover plate to hide the nuts and bolts used to mount the pedestal to concrete.

Each unit is washed first in a phosphate solution to prevent rusting, heat dried, coated with a TGIC outdoor polyester powder coat finish with UV protectant, and then baked at 400°F for the most extreme weatherability.

Pedestal PRO leads the industry in quality.

### Related Items

Housing



Model # MC-CS-8-E

Housing



Model # Lando-CS-12x8-E

Stud Anchor Kit



Stud Anchor Kit

L-Bolt Kit



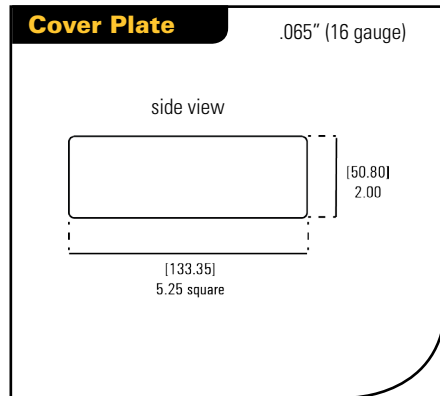
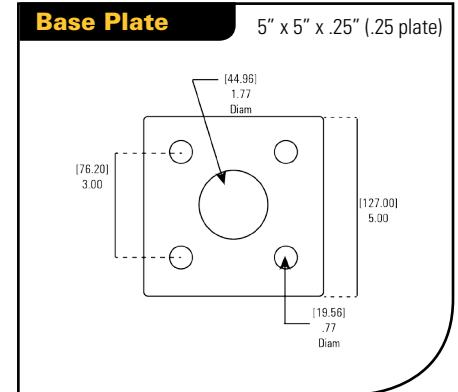
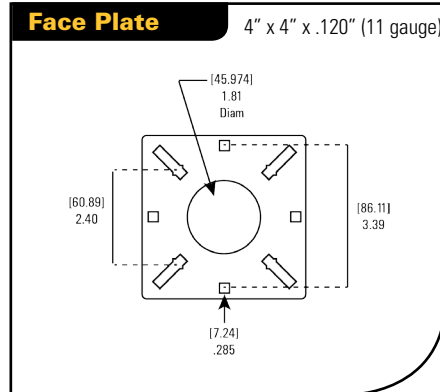
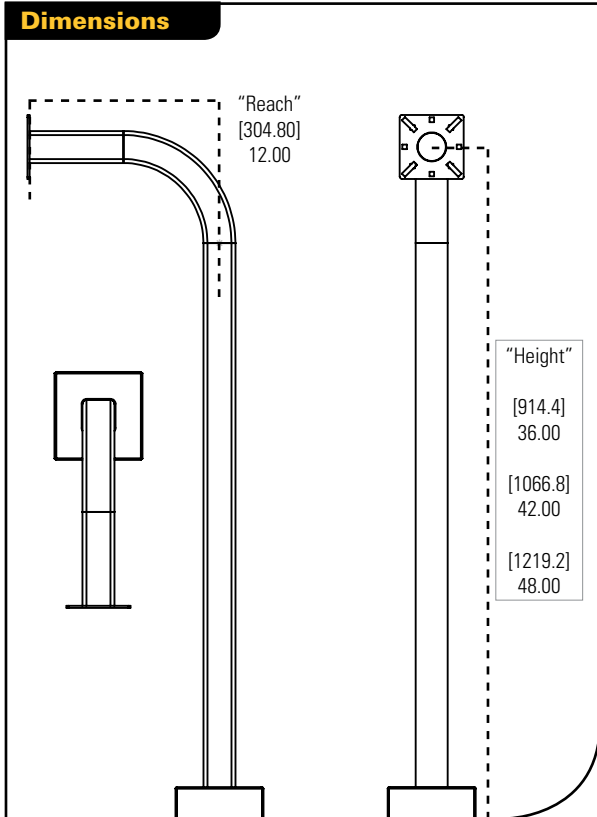
L-Bolt Kit

### Also Available:

Stainless Steel, Aluminum, and Polycarbonate Solutions

1-800-660-3072  
 info@PedestalPRO.com  
 947 W 500 N, Ste 101  
 Lindon UT 84042  
 www.PedestalPRO.com

# 36"-48" 90 DEGREE GOOSENECK PEDESTALS



### Customize

Stock Color  
 Black  
 White  
 Safety Yellow

Readily Available Colors\*  
 White  
 Safety Yellow

Custom "RAL" colors\*

Adjust height, reach, face plate, and base plate specifications to meet your needs\*  
 \*additional costs and lead times may apply

## Stress Test

Wind Speed: 200 mph (321 km/h)  
 Wind Force: 1.3333 psi  
 Face Area: 263.5959 in<sup>2</sup> (each square inch receives 1.3333 psi for a total of 351.34 psi)  
 Max Deflection or Displacement: The top corner displaces 0.8 (etc) mm  
 Max Stress: 6965.5 psi  
 Yield Strength: 89,984.6 psi (strength at which the material bends permanently)  
 Interpretation: The highest recorded sustained wind is 217 mph. At 200 mph, the top of the pedestal would move .8 mm without bending permanently. In the real world, the concrete or the mounting bolts and nuts would be fail first, not to mention the electronics would blow off even sooner.

