

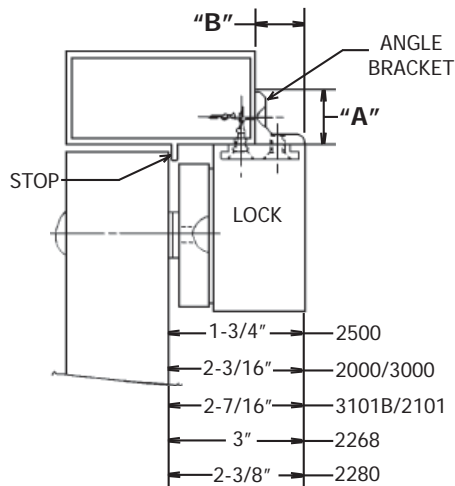
4000 Series

Mounting Accessories

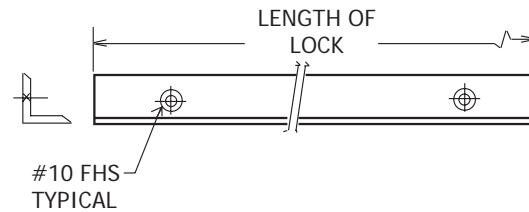


- **Angle Brackets**
- **Filler Plates**
- **Spacer Plates**
- **Special Finishes**
- **Custom Lengths**

Angle Brackets



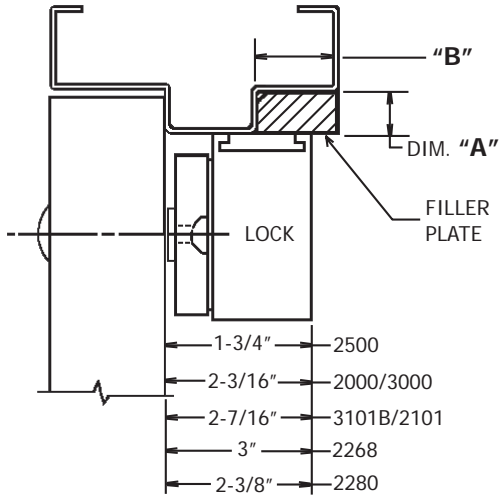
Angle Brackets facilitate the mounting of electromagnetic locks by extending the frame header area to provide an adequate mounting surface. Where required, select an Angle Bracket appropriate to accommodate the mounting footprint of the lock.



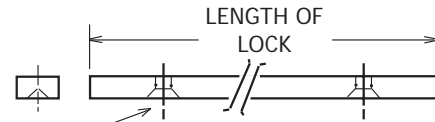
SIZE A x B	2000/3000/3101B (11")	2022/3002/3121B (22")	2268-10/15 (14")	2268-20 (25")	2511 (10-1/2")	2522 (21")	2585 (8-1/2")	2280 (12-3/4")	2282 (25-1/2")
1 x 1	#4511	#4522	#4514	#4525	#4510	#4520	#4585	#4580	#4582
1-1/2 x 1-1/2	#4611	#4622	#4614	#4625	#4610	#4620	#4685	#4680	#4682
1-1/2 x 2	#4711	#4722	#4714	#4725	#4710	#4720	#4785	#4780	#4782

4000 Series Mounting Accessories

Filler Plates



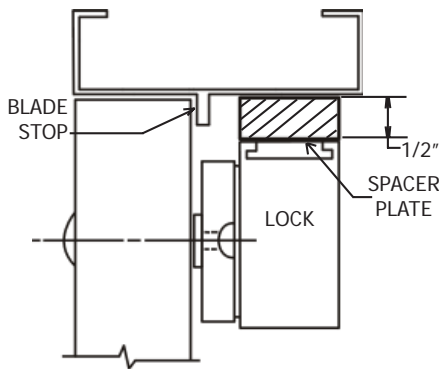
Filler plates facilitate the mounting of electromagnetic locks by extending the width of the door stop to provide an adequate mounting surface. Where required, select a Filler Plate equal in thickness to the height of the door stop (i.e. Dim. "A").



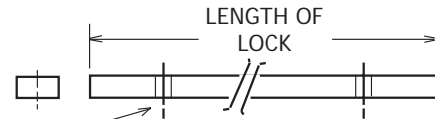
TYPICAL,
#10 FHS FOR 1/8" & 1/4" THICKNESS
#12 FHS FOR 3/8" & LARGER THICKNESS

SIZE A x B	2000/3000/3101B (11")	2022/3002/3121B (22")	2268-10/15 (14")	2268-20 (25")	2511 (10-1/2")	2522 (21")	2585 (8-1/2")	2280 (12-3/4")	2282 (25-1/2")
1/8 x 1-1/4	#4011	#4022	#4014	#4025	#4010	#4020	#4085	#4080	#4082
1/4 x 1-1/4	#4111	#4122	#4114	#4125	#4110	#4120	#4185	#4180	#4182
3/8 x 1-1/4	#4211	#4222	#4214	#4225	#4210	#4220	#4285	#4280	#4282
1/2 x 1-1/4	#4311	#4322	#4314	#4325	#4310	#4320	#4385	#4380	#4382
5/8 x 1-1/4	#4411	#4422	#4414	#4425	#4410	#4420	#4485	#4480	#4482
3/4 x 1-1/4	#4441	#4442	#4415	#4426	#4430	#4450	#4486	#4448	#4449

Spacer Plates



Spacer plates facilitate the mounting of electromagnetic locks by lowering the entire assembly 1/2", to clear a blade stop. All plates are pre-drilled for the corresponding lock series.



TYPICAL,
COMES WITH CORRESPONDING MOUNTING
HARDWARE. HOUSING SCREWS MOUNT
THROUGH SPACER PLATE INTO FRAME.

2000/3000/3101B	2511	2522	2585	2268-10/15	2268-20	2280	2282
#4301	#4302	#4303	#4304	#4305	#4306	#4307	#4308

NOTE: For 2022, 3002, & 3121B order 2 Spacer Plates for each lock. All Spacer Plates are 1/2" thick and the same depth and length as the lock. Proper hardware packs included.

DYNALOCK CORPORATION
705 EMMETT STREET / PO BOX 2728
BRISTOL, CT 06011-2728
PHONE: 877-DYNALOCK / FAX: 860-585-0338
E-MAIL: INFO@DYNALOCK.COM
WEBSITE: WWW.DYNALOCK.COM

Featuring

DynaLife[®]
Lifetime Warranty