



## CM-324 SERIES ACTIVE INFRARED "HANDS-FREE" SWITCH

### FEATURES

- ADJUSTABLE OPERATING RANGE 1"-26"
- ADJUSTABLE TIME DELAY 1-5 SECONDS
- FAIL-SAFE/NON-FAIL-SAFE SELECTABLE
- ON-BOARD LED FOR EASE OF SET-UP (SELECTABLE ON/OFF)
- SUPER-FAST ACTIVATION RESPONSE <100MS
- EXCELLENT PERFORMANCE IN ALL LIGHTING CONDITIONS
- 12/24V AC/DC OPERATION
- FULLY SHIELDED AGAINST EMI, LINE VOLTAGE SPIKES AND NOISE
- HEAVY DUTY 5 AMP RELAY, FOR USE WITH ALL AUTOMATIC OPERATORS AND ELECTRIFIED LOCKS
- STAINLESS STEEL OR HIGH-IMPACT POLYCARBONATE FACEPLATES
- ROHS COMPLIANT

### DESCRIPTION

**Sure-Wave™ Hands-Free Switch** is an active infrared device designed for use with an automatic door operator or door-locking product (such as an electric door strike or magnetic lock) where physical contact with a switch poses a health risk or is simply inconvenient. The switch assembly will fit in a variety of locations from a 1 3/4" door frame to a single or double gang electrical box.

### APPLICATION

Sure-Wave™ hands-free switches are American Disability Act (ADA) compliant, and provide barrier free access and egress to buildings and washroom facilities. The rugged construction and relay rating make them ideal for use on low-energy automatic doors, drive-up windows, and interior and exterior doors in virtually any commercial (office, retail), institutional (school, hospital or clinic), or industrial (manufacturing) facility.

### ARCHITECTS /ENGINEERS SPECIFICATIONS

All door activation switches to be used throughout the facility shall be CM-324 Sure-Wave™ Series active infrared hands-free switches manufactured by Camden Door Controls.

The switches shall be jamb/narrow, single gang or double gang, as required. They shall have an on-board LED for ease of set-up, fail-safe or non-fail-safe selectable, have an adjustable operating range of 1"-26" and a relay contact rating of 5 amps @ 30 VDC. The switches shall also be ROHC compliant. Switches mounted outdoors, or exposed to interior water/humidity shall be mounted with weather resistant integral rubber gasket and back box, supplied by the same manufacturer.



CM-324/3N



CM-324/3



CM-324/3W



CM-324/3WS

KEY SWITCHES

PUSH BUTTONS

MOUNTING OPTIONS

RF CONTROLS

HANDS-FREE SWITCHES

SPECIAL PURPOSE SWITCHES

KEYPADS

ACCESSORIES

# ACTIVE INFRARED "HANDS-FREE" SWITCH

## SPECIFICATIONS

TECHNOLOGY	INFRA-RED WITH CODED MODULATED CARRIER
SECURITY	AUTOMATIC SELF-CHANGING ID
OPERATING MODES	PULSE (SENSE) / TOGGLE
OPERATING TEMP	-4° F TO +153° F (-20° C TO +85° C)
OPERATING VOLTAGE	12-24 VOLTS, AC/DC ± 12%
CURRENT DRAW	50 - 60 MA.
RESPONSE TIME	100 MS.
ACTIVATION RANGE	MINIMUM 1" - 3" (25mm - 75mm) MAXIMUM 1" - 26" (25mm - 660mm)
RELAY OUTPUT	FORM C (SPDT)
RELAY CONTACT RATING	5 AMPS @ 30 VDC
OUTPUT TYPE	NORMAL OR FAIL-SAFE
CONNECTIONS	11" 22 AWG LEADS
TIME DELAY	1 TO 5 SECONDS
ELECTRICAL LIFE	100,000 OPERATIONS @ RATED CAPACITY 500,000 OPERATIONS @ ½ RATED CAPACITY

## ORDERING INFORMATION

### CM-324 SURE WAVE™ POLYCARBONATE FACEPLATES

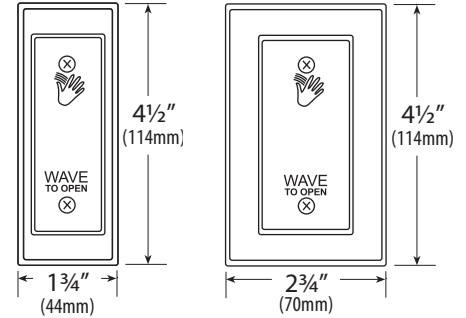
JAMB WIDTH	SINGLE GANG	DOUBLE GANG	DESCRIPTION
CM-324/1N	CM-324/1	CM-324/1W	TOUCHLESS SWITCH WITH PLAIN (BLANK) FACEPLATE
CM-324/2N	CM-324/2	CM-324/2W	TOUCHLESS SWITCH WITH HAND ICON
CM-324/3N	CM-324/3	CM-324/3W	TOUCHLESS SWITCH WITH HAND ICON & "WAVE TO OPEN"

### CM-324 SURE WAVE™ STAINLESS STEEL FACEPLATES

SINGLE GANG	DOUBLE GANG	DESCRIPTION
CM-324/1S	CM-324/1WS	TOUCHLESS SWITCH WITH PLAIN (BLANK) FACEPLATE
CM-324/2S	CM-324/2WS	TOUCHLESS SWITCH WITH HAND ICON
CM-324/3S	CM-324/3WS	TOUCHLESS SWITCH WITH HAND ICON & "WAVE TO OPEN"

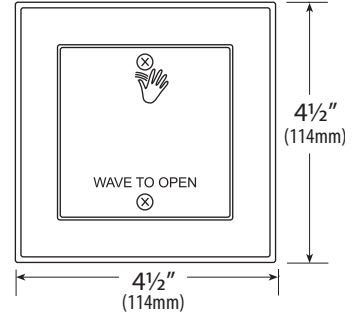
### SURFACE MOUNT BOXES - FLAME RETARDANT POLYMER

	JAMB BOX
CM-23D	4 1/2" H x 1 3/4" W x 1 1/2" D (114mm x 44mm x 38mm)
	SINGLE GANG
CM-34BL	4 1/2" H X 2 3/4" W X 1 3/4" D (114MM X 70MM X 44MM)
	DOUBLE GANG
CM-43CBLA	5" H x 5" W x 2" D (127mm x 127mm x 51mm)

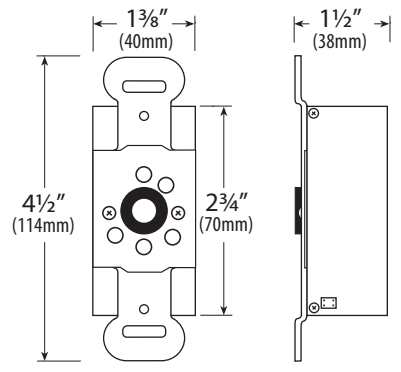


CM-324/3N

CM-324/3

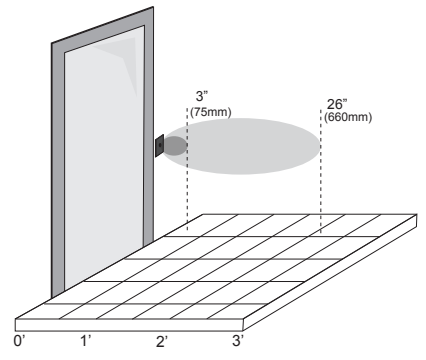


CM-324/3W



FRONT VIEW

SIDE VIEW



ADJUSTABLE RANGE SETTINGS



5502 Timberlea Blvd. Mississauga, ON Canada L4W 2T7 • Toll Free: 1 877 226-3369 (CAMDEN9)  
Tel: (905) 366-3377 • Fax: (905) 366-3378 • E-mail: info@camdencontrols.com • www.camdencontrols.com



Certified ISO 9001: 2008

LIT-SP-324

FS 541752