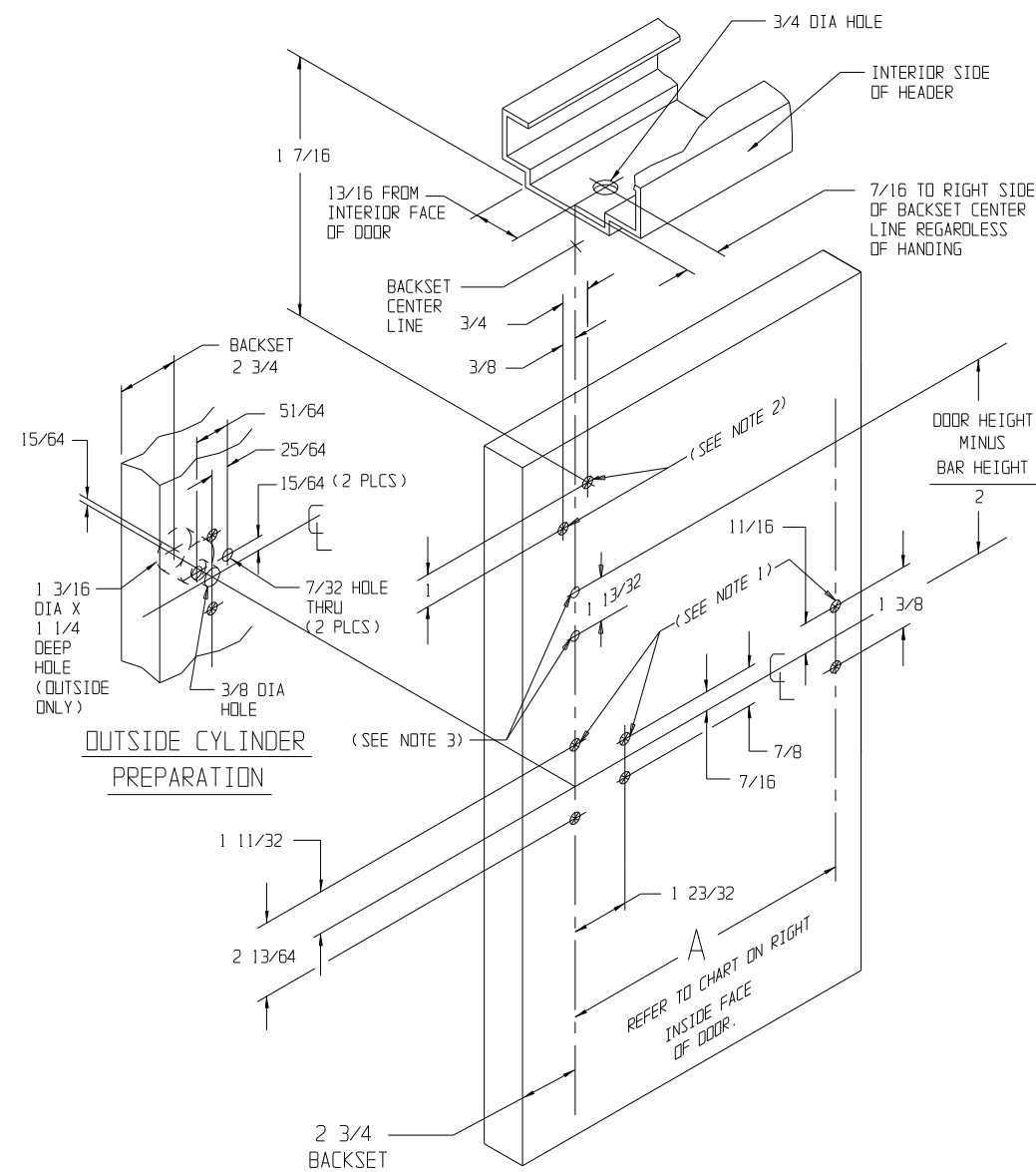
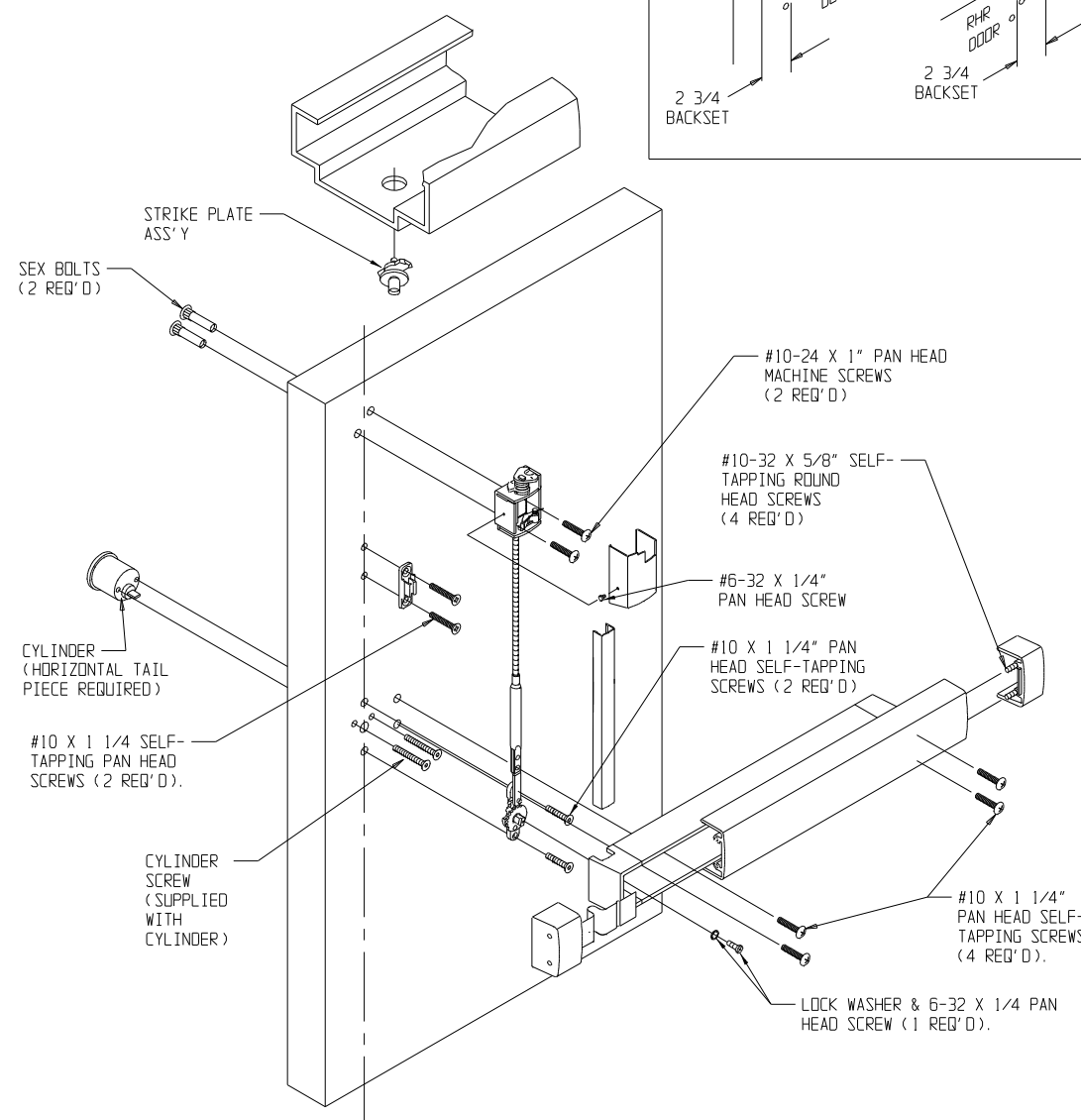


**PREPARATION**

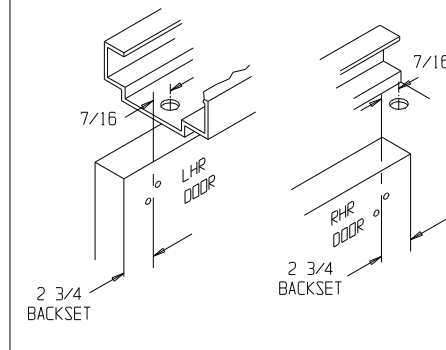


- NOTE 1: FOR SELF-TAPPING SCREW: DRILL 1/8" DIA HOLE (6 PLCS)  
FOR SEX BOLTS: REFER TO NOTE 2 FOR DRILL HOLE SIZES
- NOTE 2: DRILL 3/8" DIA ON OUTSIDE OF DOOR AND 7/32" DIA ON INSIDE OF DOOR (2 PLCS)
- NOTE 3: DRILL 1/8" DIA HOLE (2 PLCS)
- NOTE: THESE DIMENSIONS AND TEMPLATES ASSUME A DOOR THICKNESS OF 1 3/4". FOR DOORS OF OTHER THICKNESS, CONSULT FACTORY.

**INSTALLATION**



METRIC				EQUIVALENTS			
INCHES	MM	INCHES	MM	INCHES	MM	INCHES	MM
1/8	3.17	7/16	11.11	7/8	22.22	1 35/64	39.27
3/16	4.75	29/64	11.56	1	25.40	1 23/32	43.64
7/32	5.54	1/2	12.70	1 3/16	30.14	1 3/4	44.45
15/64	6.10	5/8	15.86	1 1/4	31.75	2 13/64	55.88
1/4	6.35	43/64	17.07	1 11/32	34.29	3 19/32	91.26
9/32	7.14	11/16	17.45	1 3/8	34.93	18	457.20
19/64	7.54	3/4	19.05	1 13/32	35.56	24 1/4	615.95
3/8	9.52	51/64	20.32	1 27/64	36.09	30	762.00
25/64	10.16	13/16	20.62	1 1/2	38.10	30 1/4	768.35

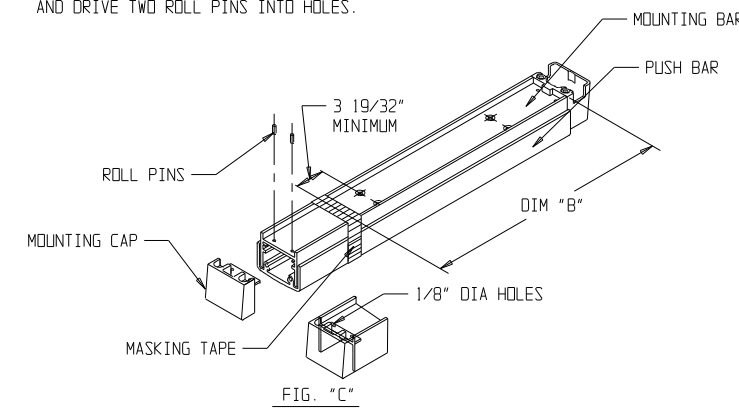


PRODUCT MUST BE INSTALLED  
ACCORDING TO ALL APPLICABLE  
BUILDING AND LIFE SAFETY CODES

DIM A	DOOR OPENING WIDTH			
	30"	36"	42"	48"
	24 1/4	30 1/4	36 1/4	42 1/4

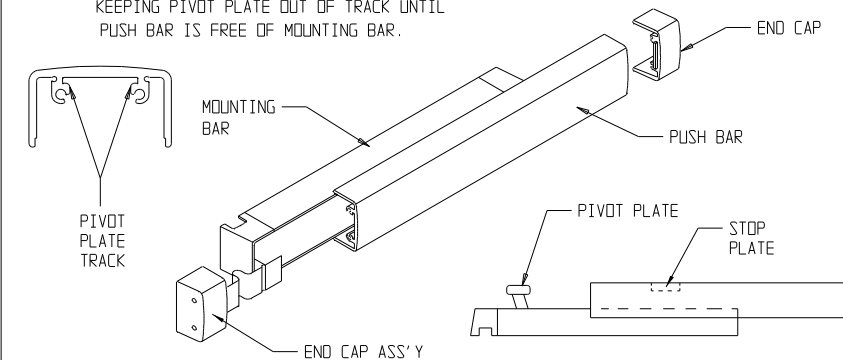
**CUT-OFF INSTRUCTIONS FOR NON-STANDARD DOORS**

1. DRIVE OUT TWO ROLL PINS.
2. REMOVE MOUNTING CAP.
3. COLLAPSE BAR AND TAPE DOWN IN THE AREA OF CUT-OFF.
4. DETERMINE EXTRUSION LENGTH ("B" DIM). (NOTE: 3 19/32" MINIMUM DIMENSION FROM RIVET CENTERLINE TO NEW CUT-OFF LENGTH AS SHOWN).
5. MEASURE MOUNTING BAR (NOT PUSH BAR), AND MARK EXTRUSION LENGTH ON TAPE.
6. SAW OFF EXCESS LENGTH, REMOVE TAPE AND DEBURR.
7. LAY MOUNTING CAP OVER MOUNTING BAR (FIG. "C"), AND USE AS A GUIDE TO DRILL TWO 1/8" DIA HOLES.
8. RE-INSTALL MOUNTING CAP INTO MOUNTING BAR AND DRIVE TWO ROLL PINS INTO HOLES.



**SEPARATING PUSH BAR AND MOUNTING BAR PROCEDURE**

1. REMOVE BOTH END CAPS. THE RETAINER IS ATTACHED TO THE NOSE END CAP.
2. SLIDE PUSH BAR TOWARD HINGE SIDE OF DOOR.
3. CONTINUE TO SLIDE PUSH BAR PAST THE PIVOT PLATE THAT RIDES IN PUSH BAR TRACK.
4. SLIDE PUSH BAR IN OPPOSITE DIRECTION KEEPING PIVOT PLATE OUT OF TRACK UNTIL PUSH BAR IS FREE OF MOUNTING BAR.



**INSTALLING PUSH BAR TO MOUNTING BAR**

1. WITH PUSH BAR IN HAND AND MOUNTING BAR ATTACHED TO DOOR, FIND STOP PLATE STAKED INTO PUSH BAR. (THIS PLATE IS ON THE LATCH END OF ASSEMBLED UNIT). SLIDE THE PIVOT PLATE NEAREST HINGE INTO TRACK OF PUSH BAR UNTIL SECOND PIVOT PLATE IS EXPOSED. INSERT PIVOT PLATE INTO TRACK ON PUSH BAR AND SLIDE IN OPPOSITE DIRECTION UNTIL PUSH BAR AND MOUNTING BAR ALIGN.



www.adamsrite.com  
Phone: 800-626-7590  
800-872-3267  
Fax: 866-582-4641  
800-232-7329

**80-0180-481**

Rev. **F**

**3100T TOP ROD ONLY  
FIRE RATED EXIT DEVICE  
HOLLOW METAL DOOR WITH HOLLOW METAL FRAME**

Ecn 119550

Date: 06/25/12

**INSTALLATION INSTRUCTIONS**

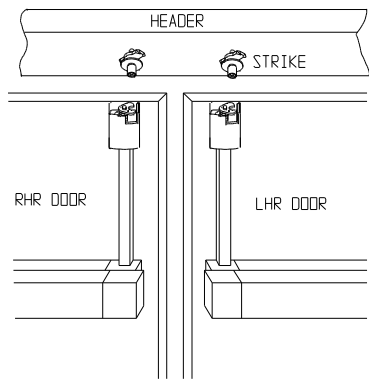
Page 1 of 2

Appvd: MP

Date: 07/20/12

# INSTALLATION INSTRUCTION CHECKLIST

ADAMS RITE SERIES **3100T** EXIT DEVICE

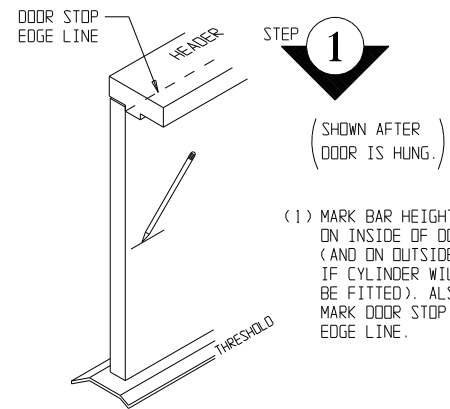
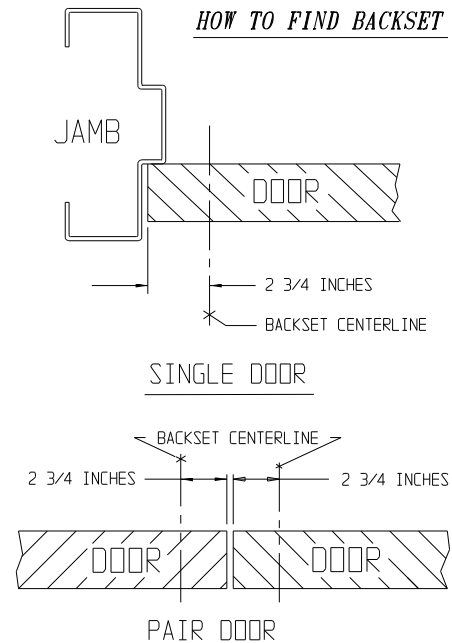


### IMPORTANT!

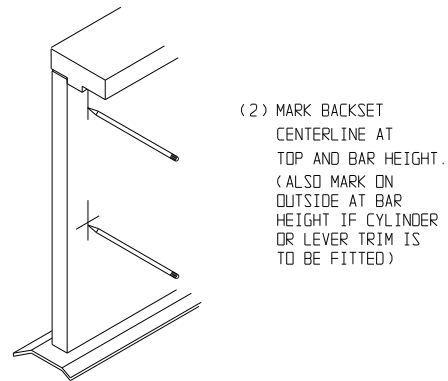
This device is unhandled. It can be installed in either left hand reverse or right hand reverse doors without alteration. The doors' lead stile and header preparation are IDENTICAL not mirror image. Note in the sketch above that the yoke type bolt *always* faces right (as viewed from inside) and the strike post is toward the right of the backset centerline for *both* doors.

**NOTE** STEPS 2 THROUGH 9 ARE MORE EASILY ACCOMPLISHED IF DOOR IS NOT INSTALLED IN FRAME.

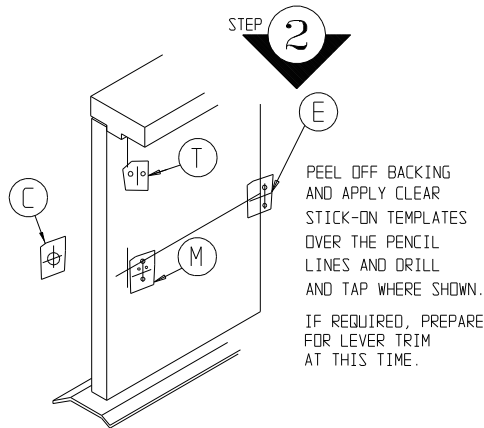
### HOW TO FIND BACKSET



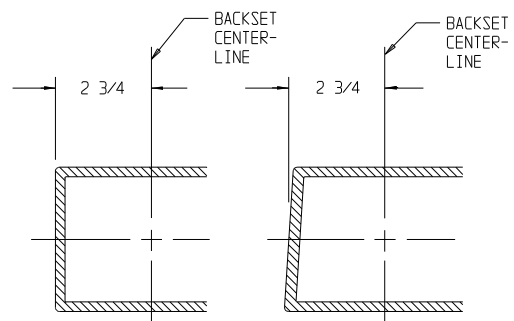
**STEP 1**  
(SHOWN AFTER DOOR IS HUNG.)  
(1) MARK BAR HEIGHT ON INSIDE OF DOOR (AND ON OUTSIDE IF CYLINDER WILL BE FITTED). ALSO MARK DOOR STOP EDGE LINE.



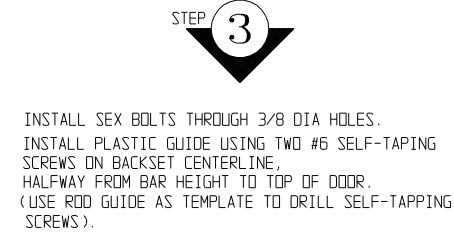
(2) MARK BACKSET CENTERLINE AT TOP AND BAR HEIGHT. (ALSO MARK ON OUTSIDE AT BAR HEIGHT IF CYLINDER OR LEVER TRIM IS TO BE FITTED)



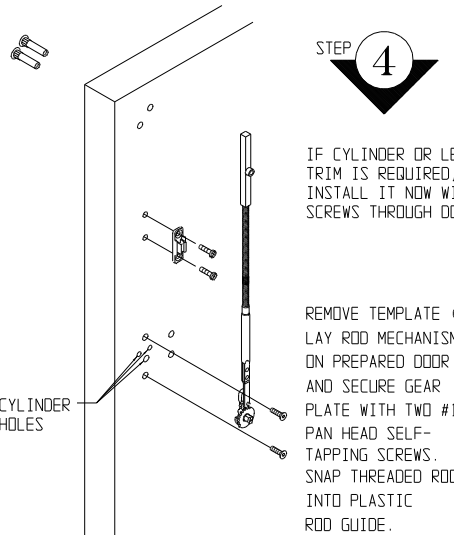
**STEP 2**  
PEEL OFF BACKING AND APPLY CLEAR STICK-ON TEMPLATES OVER THE PENCIL LINES AND DRILL AND TAP WHERE SHOWN. IF REQUIRED, PREPARE FOR LEVER TRIM AT THIS TIME.



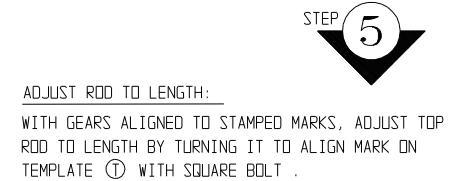
BACKSET CENTERLINE IS MEASURED FROM THE VERTICAL CENTERLINE OF THE LEADING EDGE OF THE DOOR.



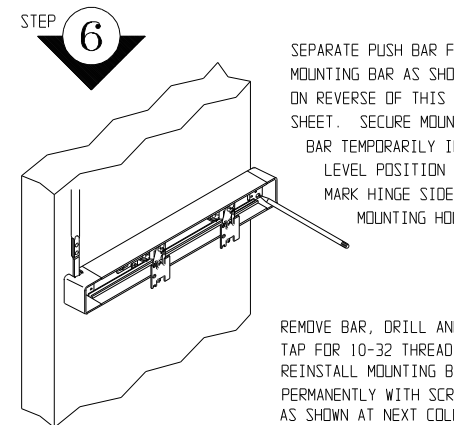
**STEP 3**  
INSTALL SEX BOLTS THROUGH 3/8 DIA HOLES. INSTALL PLASTIC GUIDE USING TWO #6 SELF-TAPPING SCREWS ON BACKSET CENTERLINE, HALFWAY FROM BAR HEIGHT TO TOP OF DOOR. (USE ROD GUIDE AS TEMPLATE TO DRILL SELF-TAPPING SCREWS).



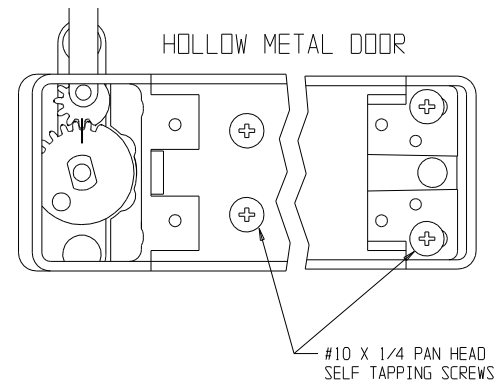
**STEP 4**  
IF CYLINDER OR LEVER TRIM IS REQUIRED, INSTALL IT NOW WITH SCREWS THROUGH DOOR.  
REMOVE TEMPLATE (M) LAY ROD MECHANISM ON PREPARED DOOR AND SECURE GEAR PLATE WITH TWO #10 PAN HEAD SELF-TAPPING SCREWS. SNAP THREADED ROD INTO PLASTIC ROD GUIDE.



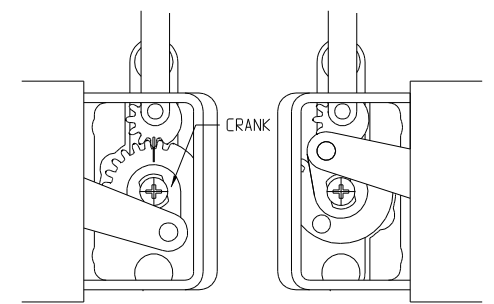
**STEP 5**  
ADJUST ROD TO LENGTH: WITH GEARS ALIGNED TO STAMPED MARKS, ADJUST TOP ROD TO LENGTH BY TURNING IT TO ALIGN MARK ON TEMPLATE (T) WITH SQUARE BOLT.



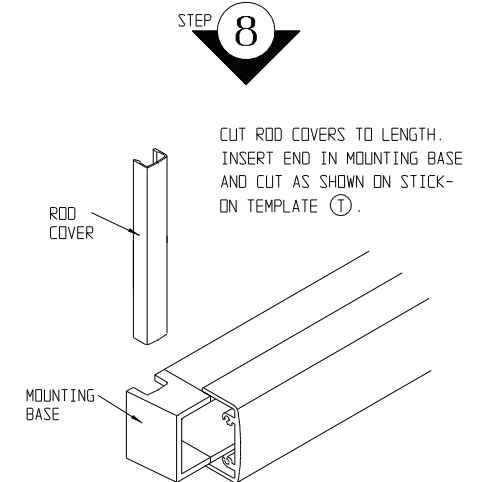
**STEP 6**  
SEPARATE PUSH BAR FROM MOUNTING BAR AS SHOWN ON REVERSE OF THIS SHEET. SECURE MOUNTING BAR TEMPORARILY IN LEVEL POSITION AND MARK HINGE SIDE FOR MOUNTING HOLES.  
REMOVE BAR, DRILL AND TAP FOR 10-32 THREAD. REINSTALL MOUNTING BAR PERMANENTLY WITH SCREWS AS SHOWN AT NEXT COLUMN.



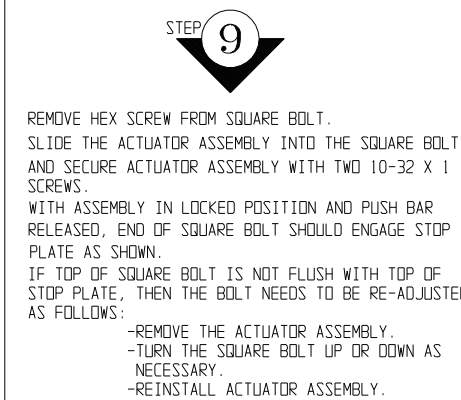
**STEP 7**  
SECURE CRANK ON DRIVER SHAFT WITH LOCK WASHER AND #6 SCREW



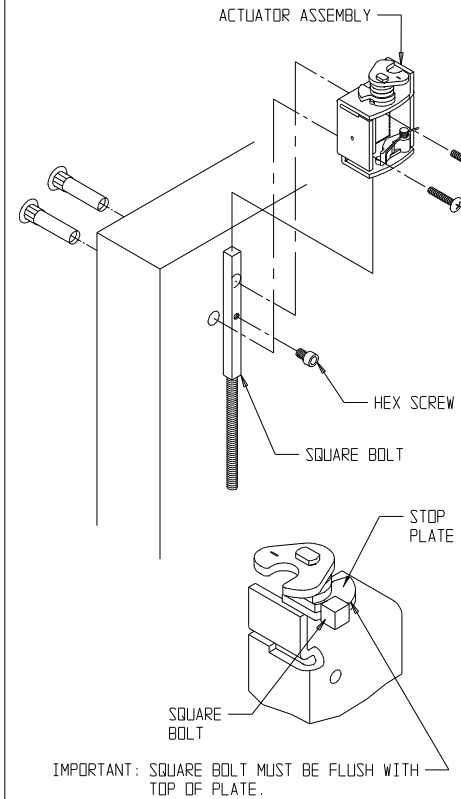
RHR DOOR WILL LOOK LIKE THIS  
LHR DOOR WILL LOOK LIKE THIS  
REINSTALL PUSH BAR AS SHOWN ON REVERSE OF THIS SHEET.



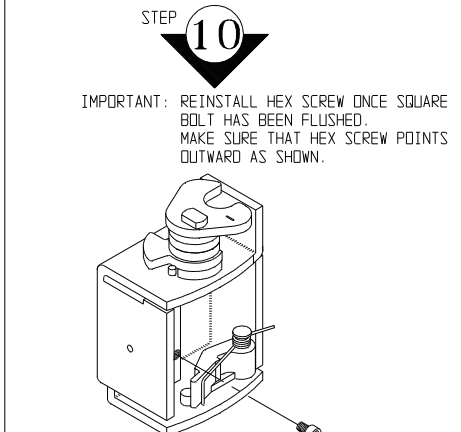
**STEP 8**  
CUT ROD COVERS TO LENGTH. INSERT END IN MOUNTING BASE AND CUT AS SHOWN ON STICK-ON TEMPLATE (T).



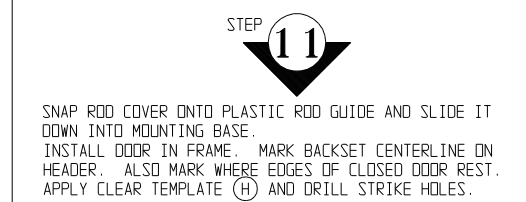
**STEP 9**  
REMOVE HEX SCREW FROM SQUARE BOLT. SLIDE THE ACTUATOR ASSEMBLY INTO THE SQUARE BOLT AND SECURE ACTUATOR ASSEMBLY WITH TWO 10-32 X 1 SCREWS. WITH ASSEMBLY IN LOCKED POSITION AND PUSH BAR RELEASED, END OF SQUARE BOLT SHOULD ENGAGE STOP PLATE AS SHOWN. IF TOP OF SQUARE BOLT IS NOT FLUSH WITH TOP OF STOP PLATE, THEN THE BOLT NEEDS TO BE RE-ADJUSTED AS FOLLOWS:  
-REMOVE THE ACTUATOR ASSEMBLY.  
-TURN THE SQUARE BOLT UP OR DOWN AS NECESSARY.  
-REINSTALL ACTUATOR ASSEMBLY.



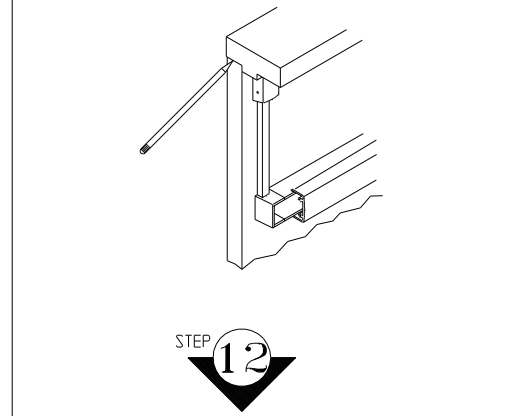
IMPORTANT: SQUARE BOLT MUST BE FLUSH WITH TOP OF PLATE.



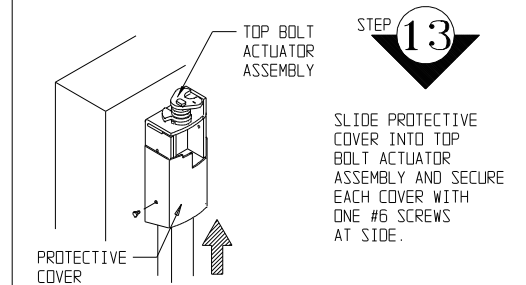
**STEP 10**  
IMPORTANT: REINSTALL HEX SCREW ONCE SQUARE BOLT HAS BEEN FLUSHED. MAKE SURE THAT HEX SCREW POINTS OUTWARD AS SHOWN.



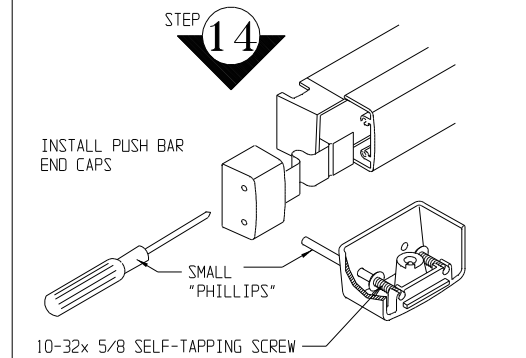
**STEP 11**  
SNAP ROD COVER INTO PLASTIC ROD GUIDE AND SLIDE IT DOWN INTO MOUNTING BASE. INSTALL DOOR IN FRAME. MARK BACKSET CENTERLINE ON HEADER. ALSO MARK WHERE EDGES OF CLOSED DOOR REST. APPLY CLEAR TEMPLATE (H) AND DRILL STRIKE HOLES.



**STEP 12**  
POSITION STRIKE PLATE ASSEMBLY INTO HEADER. THEN, TIGHTEN SECURELY WITH HEX WRENCH.



**STEP 13**  
SLIDE PROTECTIVE COVER INTO TOP BOLT ACTUATOR ASSEMBLY AND SECURE EACH COVER WITH ONE #6 SCREWS AT SIDE.



**STEP 14**  
INSTALL PUSH BAR END CAPS  
SMALL "PHILLIPS"  
10-32x 5/8 SELF-TAPPING SCREW