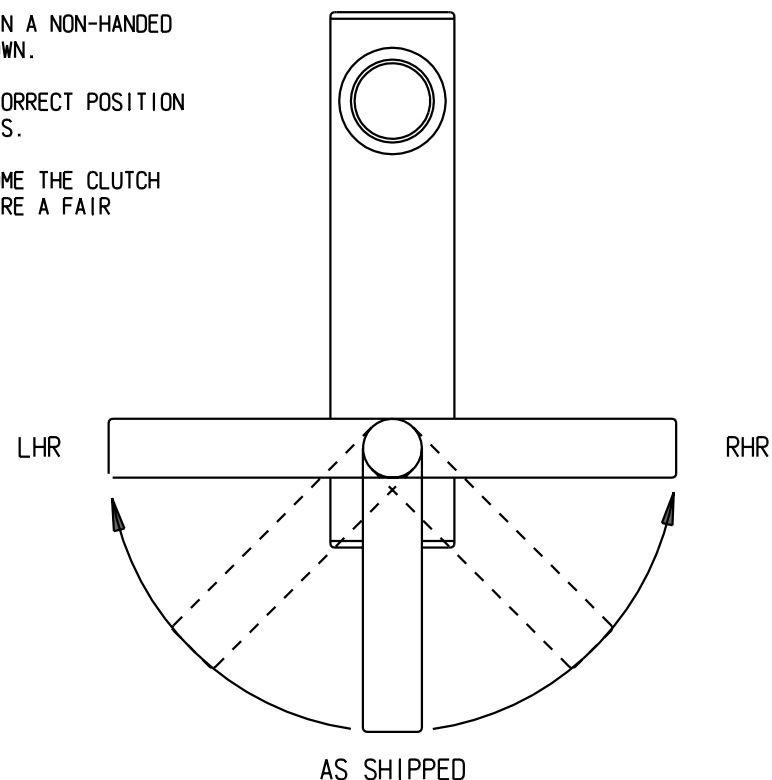


STEP 1 HANDING

THIS LEVER IS SHIPPED IN A NON-HANDED NEUTRAL POSITION AS SHOWN.

TURN THE LEVER TO THE CORRECT POSITION AS HAND OF DOOR DICTATES.

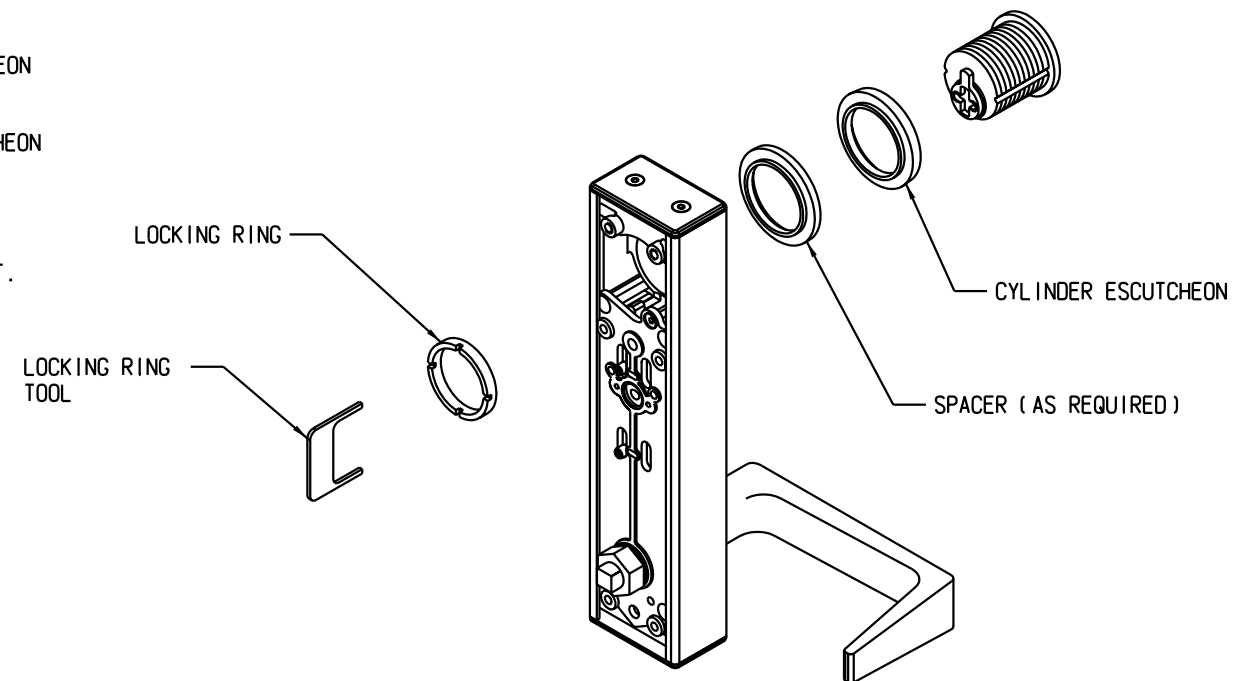
YOU WILL HAVE TO OVERCOME THE CLUTCH SPRING WHICH WILL REQUIRE A FAIR AMOUNT OF FORCE.



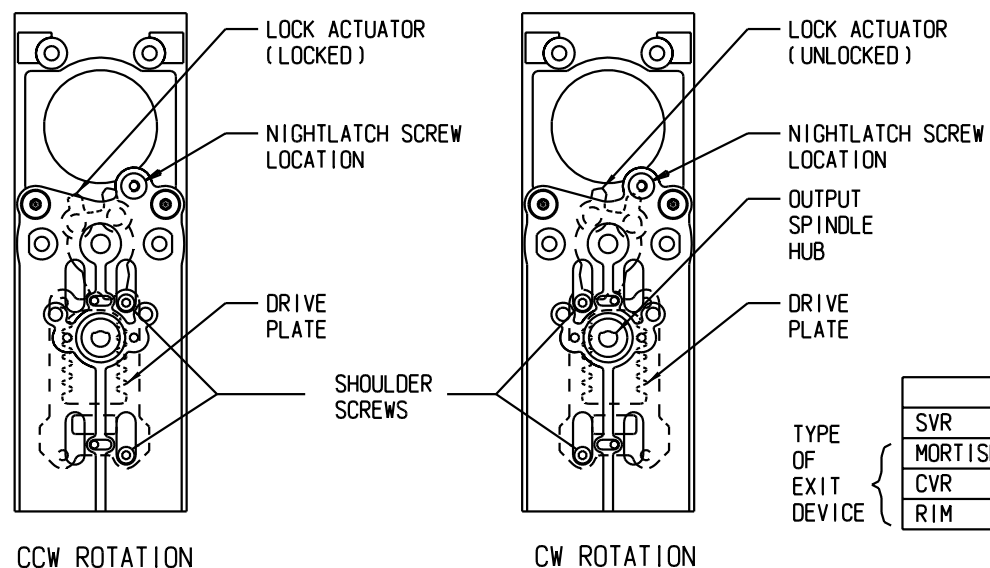
STEP 2 CYLINDER INSTALLATION

IF USING A LEVER WITH A BLANK ESCUTCHEON PROCEED TO STEP 3

- 1) INSTALL CYLINDER WITH CYLINDER ESCUTCHEON (USE EXTRA SPACERS IF REQUIRED) THE NUMBERS OF SPACERS WILL VARY DEPENDING ON LENGTH OF CYLINDER (EXAMPLE: 1" USES CYLINDER ESCUTCHEON WITH 1 SPACER) SECURE WITH LOCKING NUT.



STEP 3 CONFIGURING FOR THE EXIT DEVICE



3081/82/83 SET UP CHART

TYPE OF EXIT DEVICE	HANDING	
	LHR	RHR
SVR	CLOCKWISE	CLOCKWISE
MORTISE	COUNTER-CLOCKWISE	CLOCKWISE
CVR	CLOCKWISE	CLOCKWISE
RIM	COUNTER-CLOCKWISE	COUNTER-CLOCKWISE

DIRECTION OF OUTPUT SHAFT ROTATION (AS VIEWED FROM END OF OUTPUT SHAFT)

DEPENDING ON THE EXIT DEVICE AND HAND OF DOOR, THE SPINDLE OUTPUT ROTATION WILL VARY. THE LEVERS ARE SHIPPED FROM THE FACTORY WITH CW ROTATION. (WHEN VIEWED FROM SIDE SHOWN HERE) REFER TO CHART BELOW FOR EXIT DEVICE REQUIREMENTS. IF THE EXIT DEVICE REQUIRES A CLOCKWISE ROTATION PROCEED TO STEP 3. IF DEVICE REQUIRES A COUNTER-CLOCKWISE ROTATION PERFORM THE FOLLOWING STEPS TO REVERSE THE ROTATION.

CAUTION: DO NOT ROTATE THE LEVER WITH SHOULDER SCREWS REMOVED.

- 1) REMOVE THE TWO SHOULDER SCREWS WITH 5/64" ALLEN WRENCH. (PROVIDED)
- 2) IN THE SHOULDER SCREW HOLES, INSERT THE ALLEN WRENCH AND SHIFT DRIVE PLATE OVER AS SHOWN TO EXPOSE THE TAPPED HOLES ON THE OPPOSITE WINDOWS. REINSTALL SHOULDER SCREWS IN OPPOSITE WINDOWS.
- 3) IF FIXED LEVER (DUMMY) OPERATION IS REQUIRED FLIP THE LOCK ACTUATOR TO THE LOCKED POSITION AT THIS TIME.
- 4) FOR NIGHTLATCH FUNCTION, INSTALL SELF TAPPING #4-40 X 1/4" PAN HEAD SCREW.

STEP 4 DOOR PREPARATION

- 1) MARK BACKSET CENTERLINE (MOUNTING CENTERLINE FOR 3700/8700/8800) AND THE HORIZONTAL CENTERLINE OF EXIT DEVICE.
- 2) APPLY CLEAR TEMPLATE OVER THE CENTERLINE MARKS, SECURE WITH TAPE.
- 3) DRILL HOLES PER THE TEMPLATE INSTRUCTIONS.
- 4) REMOVE TEMPLATES.

STEP 5 DOOR PREPARATION

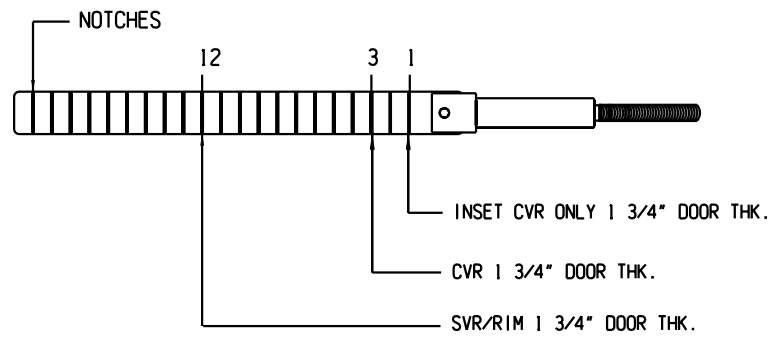
REFER TO THE FOLLOWING ILLUSTRATIONS, FOR INSTALLATIONS

INSTALL THE ENTRY LEVER PRIOR TO EXIT BAR INSTALLATION

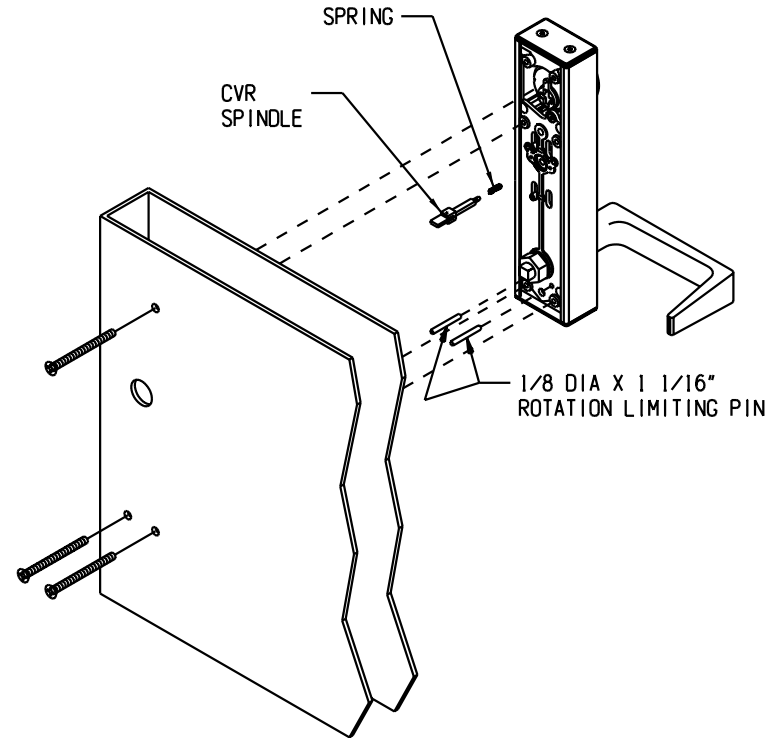
SPINDLE PREPARATION

FOR CVR, SVR, RIM & INSET DEVICES

NOTE: CUT SPINDLE ACCORDING TO 1 3/4" DOOR THICKNESS.
FOR 2" DOOR THICKNESS ADD TWO NOTCHES
EACH NOTCH MEASURES 1/8", SPINDLE CAN ACCOMMODATE UP TO 2-3/4" DOOR THICKNESS.



INSET CVR INSTALLATION



MORTISE/INSET MORTISE INSTALLATION

INSTALL MORTISE CAM PLUG FIRST

- 1) CONFIGURE CAM PLUG PER MATRIX.
- 2) INSTALL MORTISE CAM PLUG INTO DEADLATCH CASE AS SHOWN IN FIG. 1
- * DO NOT ATTACH CAM PLUG TO TRIM.
- 3) TIGHTEN CYLINDER SET SCREW
- 4) INSTALL AND LIGHTLY TIGHTEN #6-32 CAP SCREWS

****CAUTION****
DO NOT OVER TIGHTEN #6-32 CAP SCREWS

- 5) ORIENTATE CAM PLUG TAILPIECE AS SHOWN IN MORTISE INSTALLATION (FIG. 3)

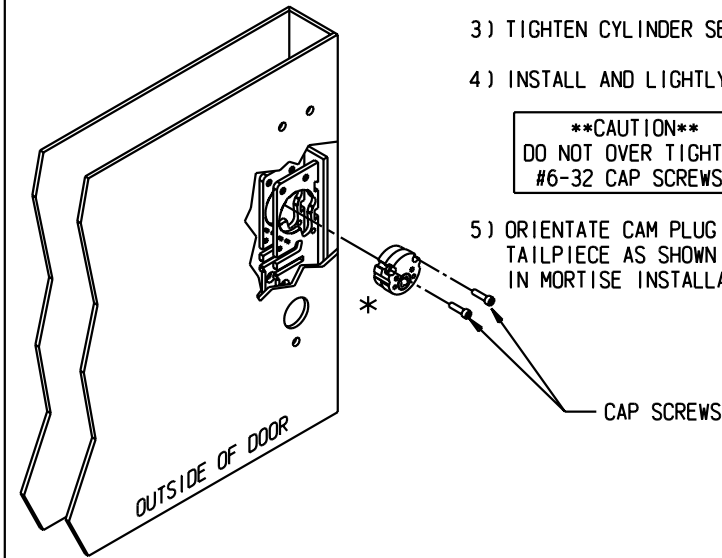


FIG. 1

CAM PLUG MATRIX

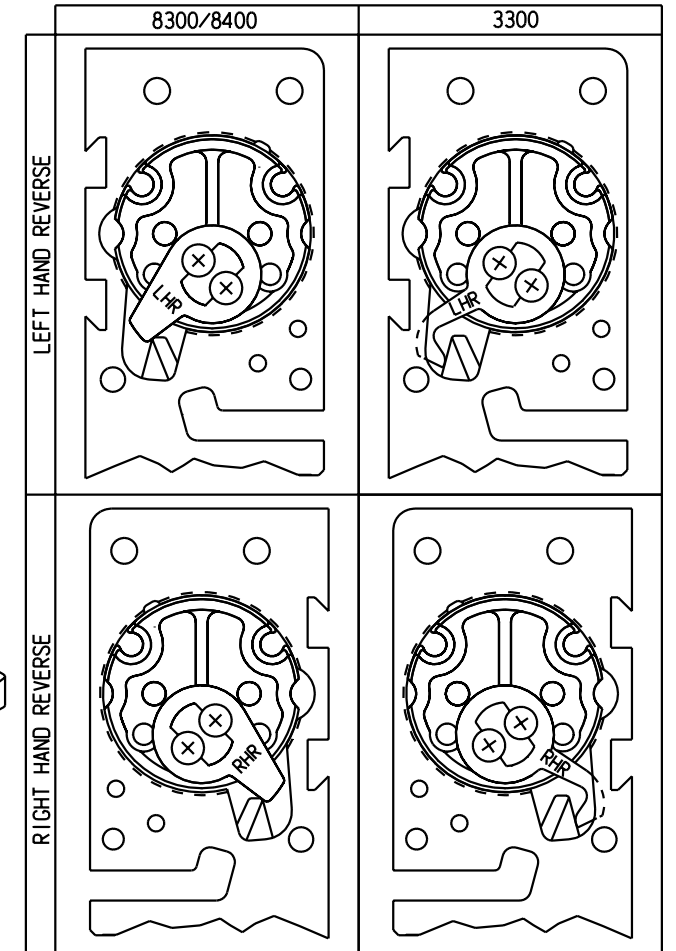
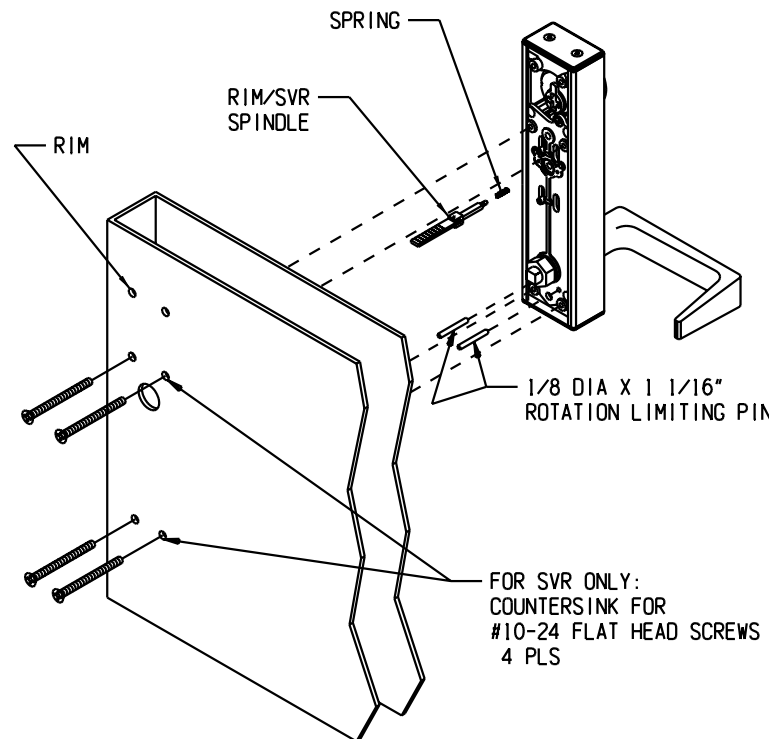


FIG. 3

RIM/SVR INSTALLATION



CVR INSTALLATION

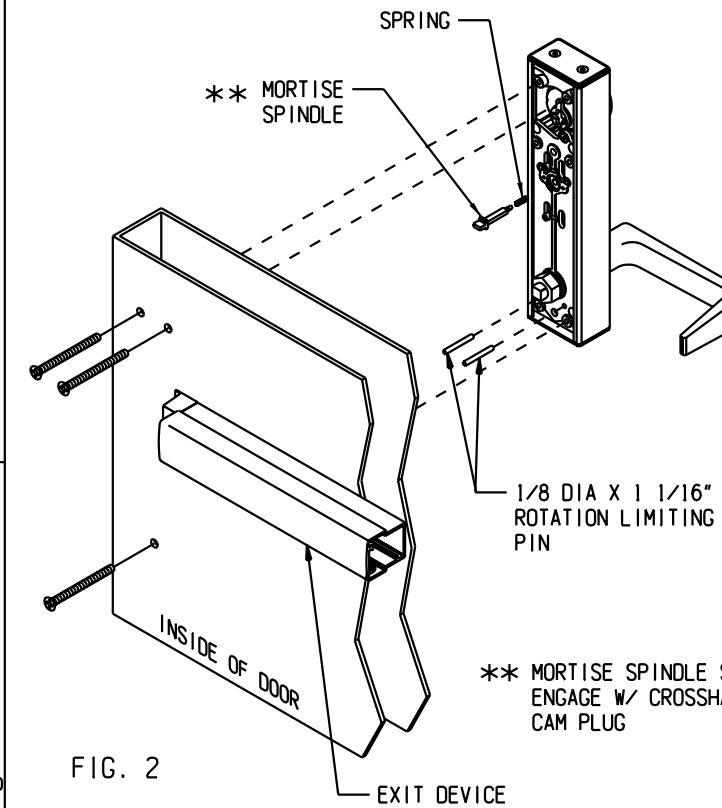
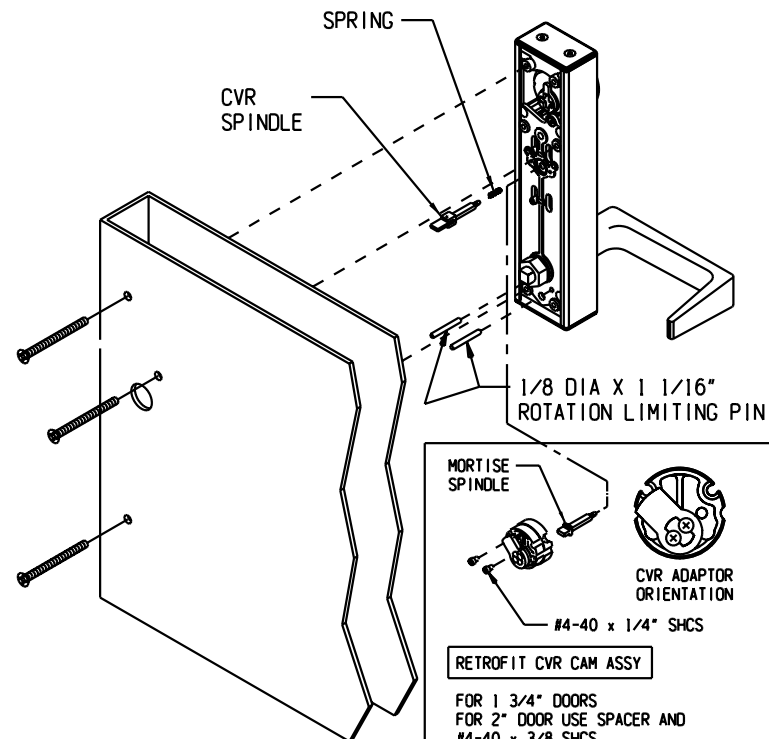


FIG. 2

PRODUCT MUST BE INSTALLED ACCORDING TO ALL APPLICABLE BUILDING AND LIFE SAFETY CODES