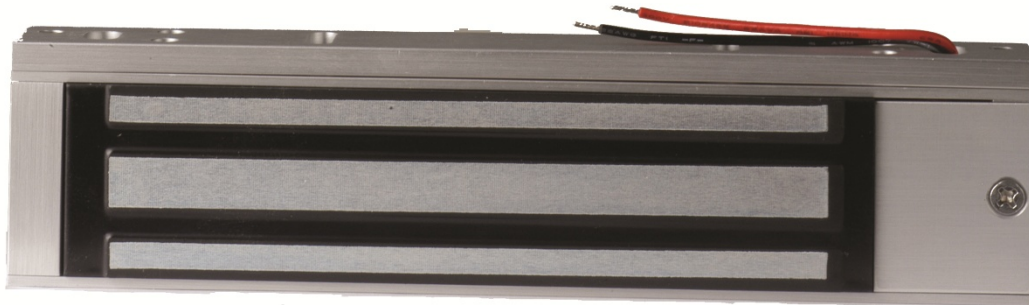


# MODEL 300S

## 300 POUND MAGNETIC LOCK



- Ideal for Cabinets and Showcases
- 300 Pound Maximum Holding Force
- Magnet Size 6-11/16" L x 1-1/2" H x 1-3/16" W
- Armature Size 5-1/2" L x 1-1/4" H x 7/16" D
- 12 or 24 Volt DC Operation, Switch Selectable
- Current Draw 250 mA @ 12 VDC, 130 mA @ 24 VDC
- Can be used with any Access Control System
- All Metal Non-Aluminum Parts are Plated
- Clear Anodized Finish Standard
- Lifetime Warranty



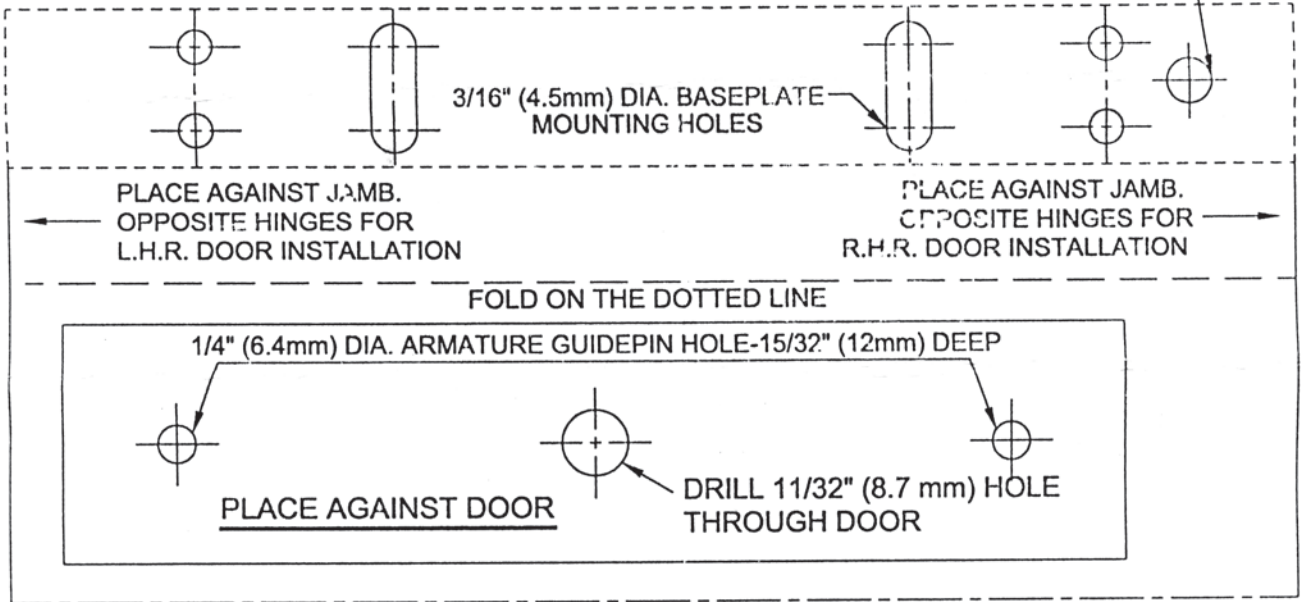
Alarm Controls  
19 Brandywine Drive  
Deer Park, New York 11729  
(800) 645-5538  
[www.alarmcontrols.com](http://www.alarmcontrols.com)

ASSA ABLOY, the global leader  
in door opening solutions

# L.S.

## PLACE AGAINST HEADER

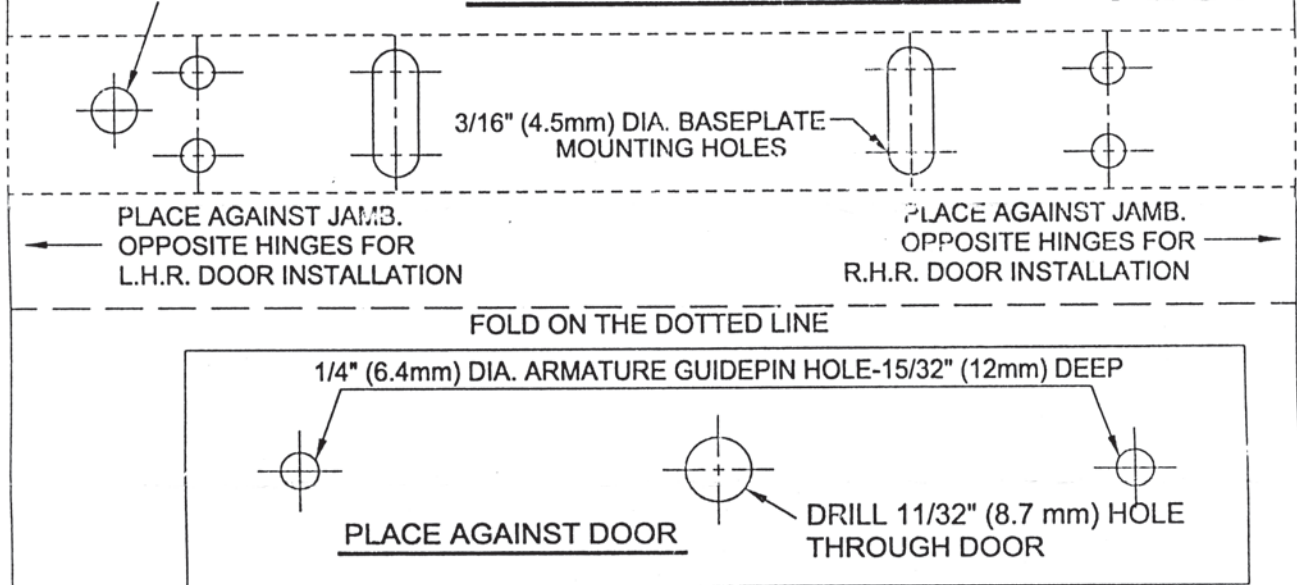
1/4" (6.4mm) DIA. WIRING



1/4" (6.4mm) DIA. WIRING

## PLACE AGAINST HEADER

# R.S.



## MOUNTING INSTRUCTIONS

### STEP 1

#### ARMATURE PLATE MOUNTING :

- Fold TEMPLATE at dotted line.
- Place bottom part of TEMPLATE against door.
- Drill the three holes as indicated.

#### INSTALLING Armature Plate :

- Mount the Armature to door using one (1) rubber washer between door and armature plate and tighten bolt.

### STEP 3

#### INSTALLING MAGNET :

- Install magnet to mounting plate.
- Install electrical wiring.

### STEP 2

#### MAGNET MOUNTING PLATE :

- Place Template over Armature center hole and drill in header indicated by header part of TEMPLATE
- Mount magnet mounting plate to door header.

WIRE RED  DC 12V or 24V+

WIRE BLACK  DC 12V or 24V-

#### VOLTAGE SELECTION

FOR 24V



24V

FOR 12V



12V