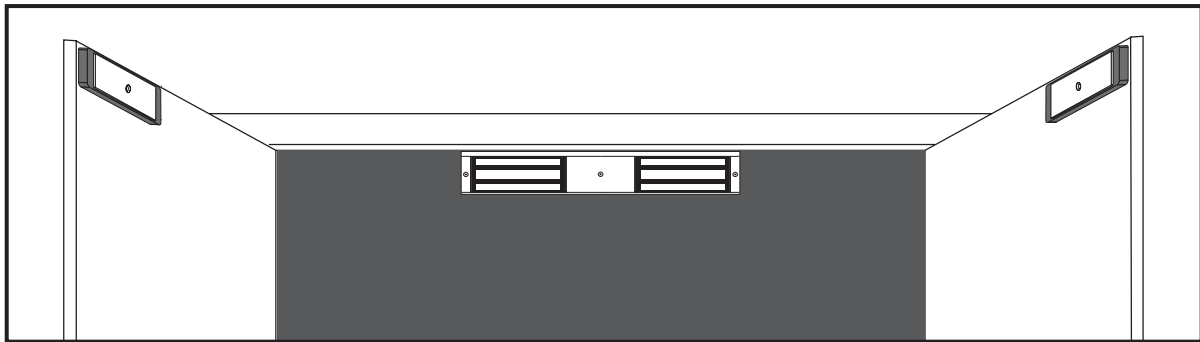


INSTALLATION DESCRIPTION

The Series 3002 is a 1500 pound holding force electromagnetic lock designed to secure a double outswinging door. The lock requires both installation procedures as described herein and in the separate wiring instructions included.

Typical installation of the lock on a double outswing door:



HANDLING

Care must be taken that the lock face and armature face are kept free of dirt, rust, paint, or any other obstruction which may interfere with the lock and armature making good contact. These faces may be cleaned with a non-abrasive pad and wiped with an oil dampened cloth.

MECHANICAL INSTALLATION

Familiarize yourself with the door and frame conditions. The lock must mount rigidly to the face of the door frame header. The door mounted armature is supplied with an adjustable mounting bracket and hardware that allows it to pivot slightly to compensate for reasonable misalignment.

NOTE: If this lock is supplied with the DSM option be certain that disc magnets are present inside the armature housing.

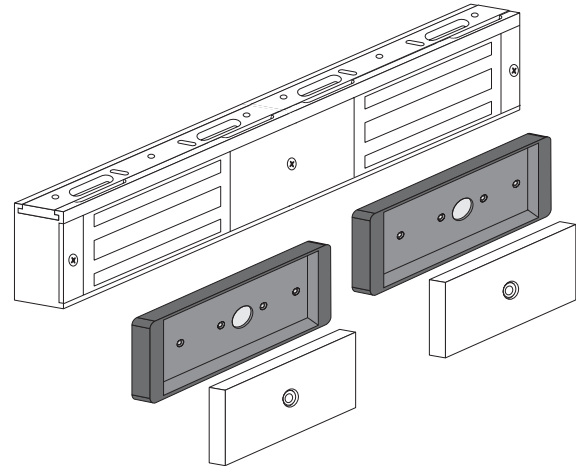
ELECTRICAL INSTALLATION

After mechanical installation is complete the lock needs to be wired to a 12 or 24 VDC/VAC power source. Once low voltage power is supplied the unit is fully operational. All other wiring is for selected options. Refer to the separate wiring instructions included for further information.

TABLE OF CONTENTS

General Information.....	1
Bill Of Materials.....	2
Using The Template.....	3
Mounting The Armature.....	4
Mounting The Lock.....	5
Exploded Parts View.....	6
Exploded Parts Legend.....	7
Support.....	8

MODEL #3002 BILL OF MATERIALS



- (1) 3002 LOCK ASSEMBLY
- (2) ARMATURE
- (2) ARMATURE HOUSING
- (2) HARDWARE KIT
- (1) 1/8" BALL HEAD HEX WRENCH
- (1) MOUNTING TEMPLATE
- (1) INSTALLATION MANUAL
- (1) WIRING MANUAL

REQUIRED TOOLS

- (1) Electric Drill
 - (1) #2 Phillips Screw Driver
 - (1) Soft Faced Mallet
 - (1) Hammer
 - (1) Center Punch
 - (1) 3/16" Hex Wrench
 - (1) Pencil & Tape
- Drill Bits: 1/8", 17/64", 11/32", 1/2", 9/16", 21/32"

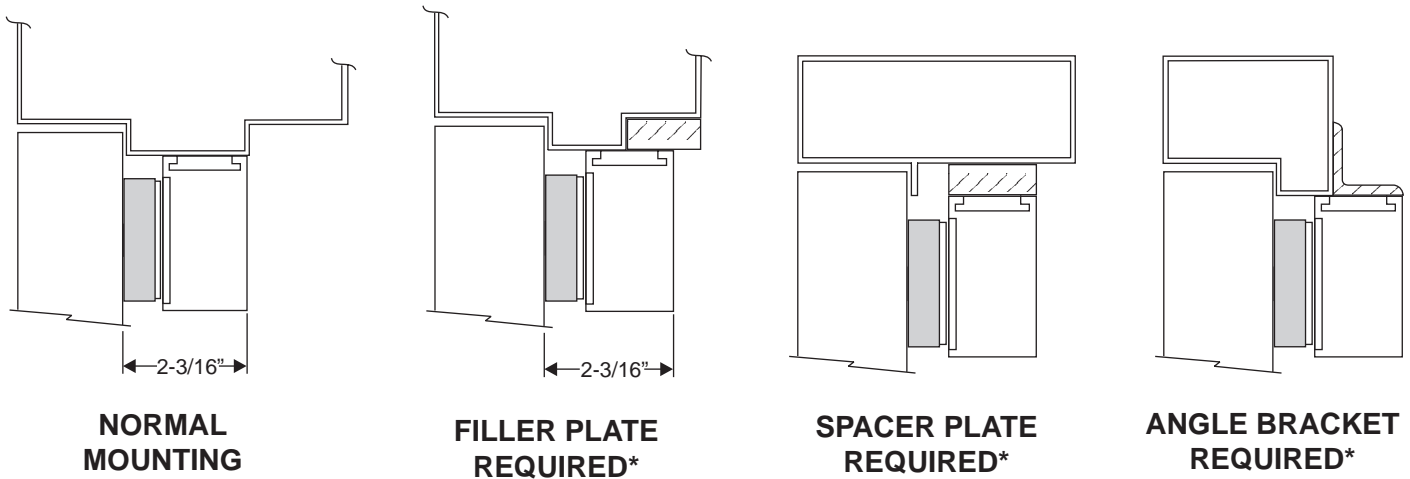
HARDWARE KIT CONTENTS (P/N 301314)

QTY.	ITEM	DESCRIPTION
5	Baseplate Mounting Screws	#10x1" phillips pan head sheet metal screw
5	Baseplate Mounting Screws	#10-24x1/2" phillips pan head machine screw
1	Armature Mounting Screw	5/16-18x2" hex flat head machine screw, turned
4	Armature Housing Screws	#8x1" phillips flat head sheet metal screw
4	Armature Housing Screws	8-32x3/8" phillips flat head machine screw
1	Armature Spacer	3/8"Dx0.235"L spacer
1	Steel Washer	1/4" flat steel washer
1	Door Spacer	5/8"Dx1-11/16"L spacer
1	Sex Nut	5/16-18 sex nut

NOTE: For further parts clarification refer to the Exploded Parts View on page 6 or consult factory.

MOUNTING CONSIDERATIONS

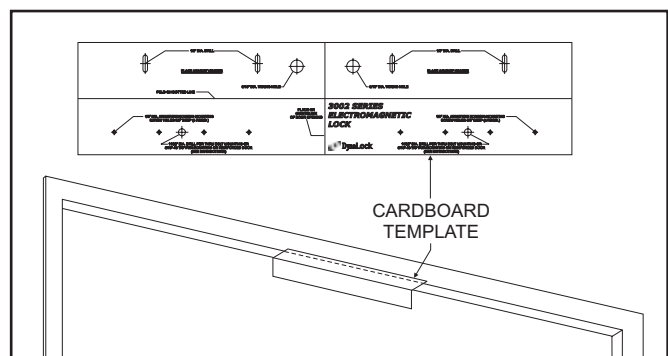
Inspect the door frame and determine if an angle bracket or filler plate will be required for installation. The lock will require a 2" wide header stop for a suitable mounting surface.



*See Price Book or Call DynaLock Corp.

USING THE TEMPLATE

1. Fold the template on the dotted line to form a 90 degree angle. Scoring the template with a straight edge and a screwdriver will make it fold easier.
2. With the doors in the closed and latched position, from the push side, place the template against the header and doors in the center of the frame, and tape in place.
3. Transfer all hole locations to both the doors and header with a center punch, then remove the template from the door.
4. Referring to the template drill four 1/8" dia. lock mounting holes (or tap for 10-24) and one 9/16" dia. wiring hole in the top of the frame, at the transferred locations. Remaining mounting holes will be drilled after lock is first mounted and adjusted (page 6).
5. Drill the remaining transferred holes in the face of the doors to accept the Armatures following the instructions on page 4 for your specific door type.

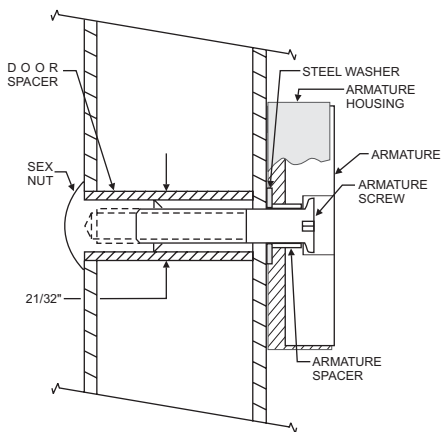


MOUNTING THE ARMATURE

From the three illustrations below select the one that resembles your door type and follow the instructions for drilling the Armature mounting screw hole. (See Template)

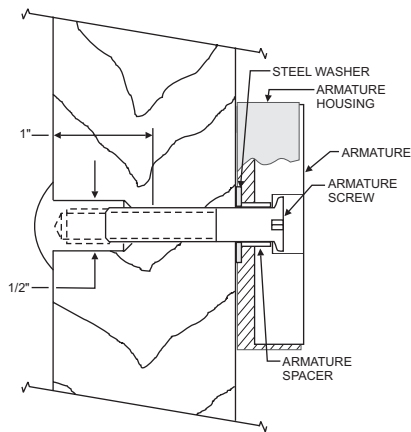
Drill four (4) 1/8" dia. holes for #8 x 1" sheet metal screws or drill and tap for #8-32 x 3/8" machine screws (See Template).

GLASS AND ALUMINUM OR HOLLOW METAL DOOR



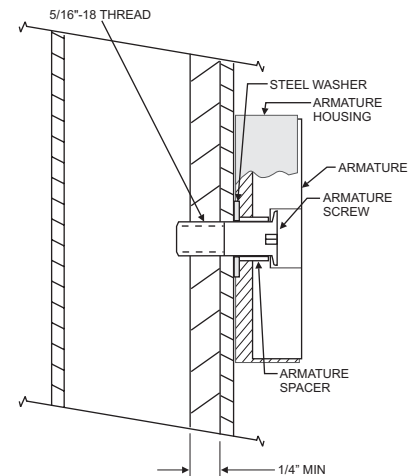
Drill an 11/32" diameter hole through the door. From the sex nut side only enlarge the hole to 21/32" diameter.

SOLID CORE DOOR



Drill an 11/32" diameter hole through the door. From the sex nut side drill 1/2" diameter hole to 1" depth.

REINFORCED DOOR



Drill a 17/64" diameter hole and tap for 5/16-18 thread

Mount the Armature Housing to the door using four (4) #8 x 1" sheet metal screws or #8-32 x 3/8" machine screws.

Place the Armature inside the Armature Housing and secure using the proper hardware, according to the above illustrations. Firmly tighten the Armature mounting screw with a 3/16" hex wrench.

Failure to properly secure the Armature to the door could result in serious injury or possible security breach.

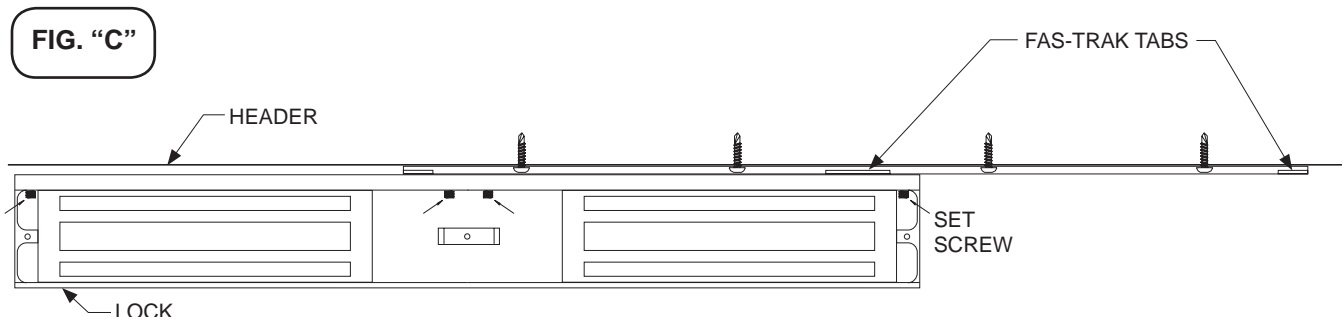
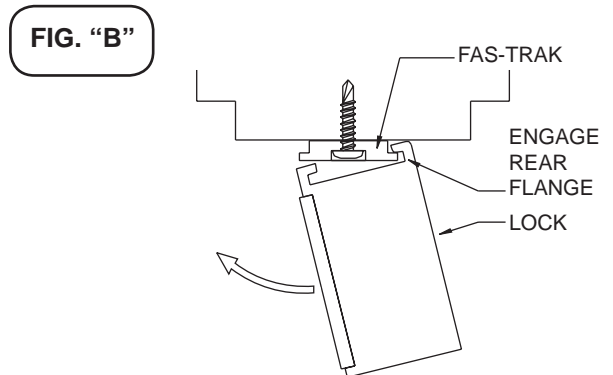
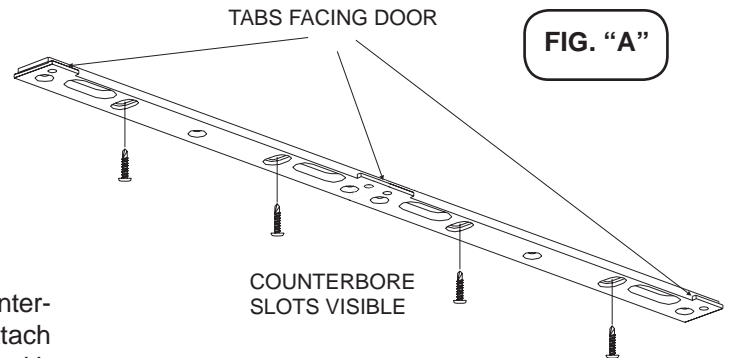
MOUNTING THE LOCK

1. Before installation begins remove the End Covers and Access Cover (see page 6 for parts locations). In the upper inside corners and middle of the lock housing are located four #1/4-28 set screws. Using the 1/8" ball head hex wrench loosen (**do not remove**) the set screws until the Fas-Trak Baseplate is free (Fig. "C"). Remove the Fas-Trak.

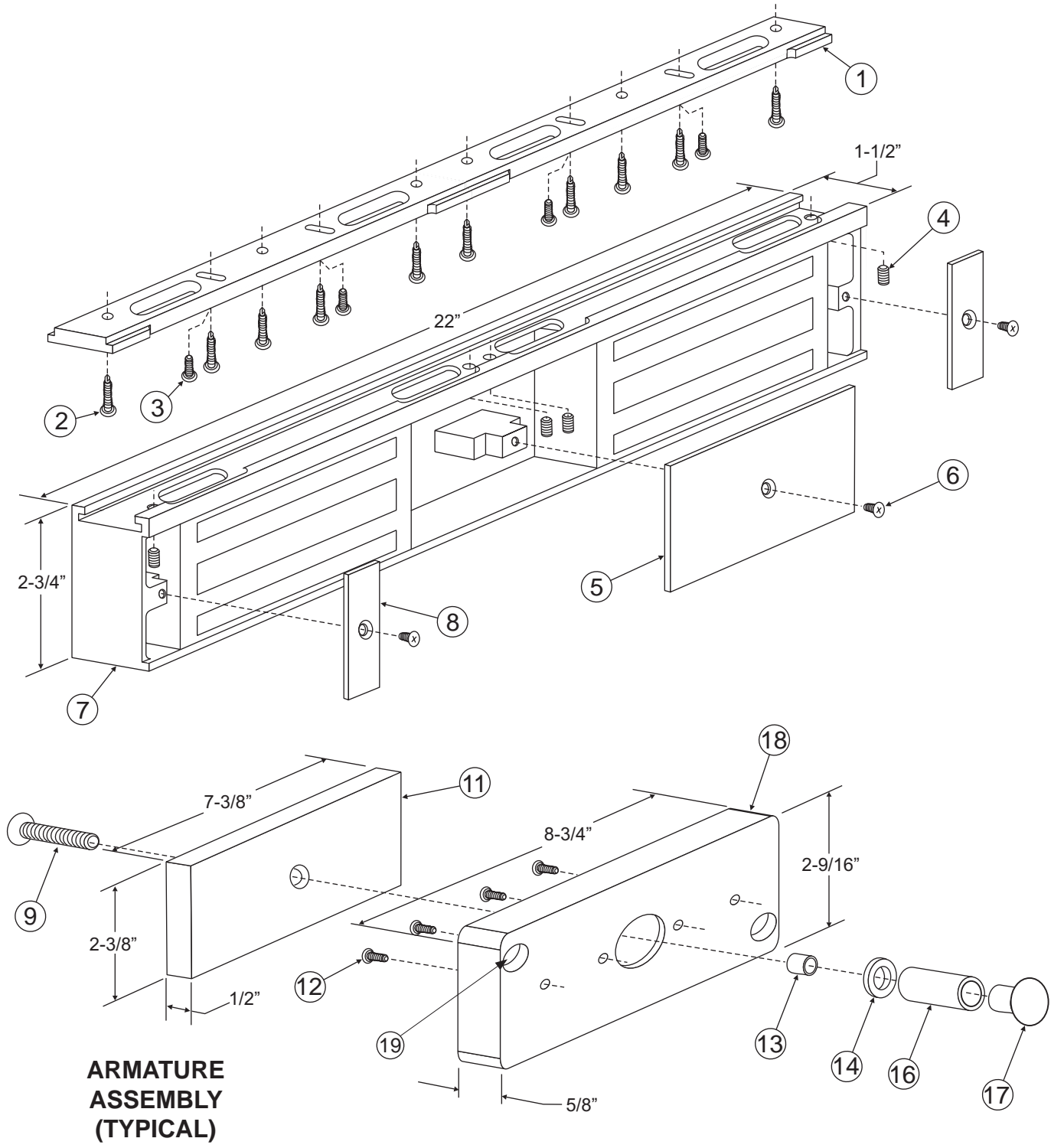
2. Place the Fas-Trak against the header with the slot counterbores visible and the tabs facing the door (Fig. "A"). Attach the Fas-Trak to the header at the slotted hole locations, with #10 x 1" tek screws or 10-24 x 1/2" machine screws, if the frame has been reinforced and may be tapped. Tighten the screws just snug enough to allow for final adjustment.

3. Temporarily mount the lock to the Fas-Trak by offsetting the lock 1-1/8" from the jamb (Fig. "C") and tipping the front of the lock down engaging the rear flange of the Fas-Trak (Fig. "B"). Rotate the lock up allowing one tab to pass through the corresponding notch in the top of the lock housing. Slide the lock into position. Close and latch the door. Check that the armature and lock faces make full contact. **Make sure the door hits the frame just before the maglock (not slamming on the lock).** If any adjustment is required gently tap the housing with a soft mallet. Open the door, remove the lock from the Fas-Trak and tighten the slot screws. Using the Fas-Trak as a physical template, drill for the remaining six screws. Screw heads must not project above the Fas-Trak.

4. Any roughed-in wiring may be brought in at this time through the slotted wiring holes. Re-install the lock on the Fas-Trak. Firmly tighten the four housing set screws with the 1/8" ball head hex wrench. Replace End Covers. Continue with wiring, see separate instruction booklet. **If the lock wiring is not being done at this time replace the Access Cover and see that all instructions are left for the electrical installer.**



EXPLODED PARTS VIEW



LEGEND ON NEXT PAGE →



705 Emmett Street • Bristol, CT 06010
 1-877-DynaLock • www.dynalock.com

MODEL 3002 DOUBLE/OUTSWING ELECTROMAGNETIC LOCK

INSTALLATION INSTRUCTIONS

PARTS LEGEND

ITEM	DESCRIPTION	PART #
1	Fas-Trak Baseplate	300011
2	#10x1" Self-Tapping Screw	*
3	10-24x1/2" Machine Screw	*
4	1/4-28x1/4" Socket Set Screw	300604
5	Access Cover	300009
6	8-32x3/8" Machine Screw	300608
7	Housing Assembly	300007
8	End Cover	300010
9	5/16-18x2" Arm. Screw, Turned	*

ITEM	DESCRIPTION	PART #
11	Armature	300013
12	#8x1" Self-Tapping Screw	*
12	8-32x3/8" Machine Screw	
13	Armature Spacer	*
14	Steel Washer	*
16	Door Spacer Tube	*
17	Sex Nut	*
18	Armature Housing	301244
19	Disc Magnet (DSM & HSM only)	301289

* Part of Hardware Kit (301314 x 2)

Refer to Page 6 for parts locations.



705 Emmett Street • Bristol, CT 06010
1-877-DynaLock • www.dynalock.com

MODEL 3002 DOUBLE/OUTSWING ELECTROMAGNETIC LOCK

INSTALLATION INSTRUCTIONS

**PLEASE DELIVER THIS MANUAL
TO THE END-USER UPON COMPLETION
OF THE INSTALLATION**

**FOR PRODUCT SUPPORT AND PARTS
ORDERING INFORMATION CONTACT:**

DynaLock Corp.
705 Emmett Street
Bristol, CT 06010
Bus: (877) 396-2562 Toll-Free
(860) 582-4761
Fax: (860) 585-0338

DYNALOCK ON THE INTERNET:

E-mail: info@dynalock.com
Website: www.dynalock.com



**NYC Mea #23-92-E
GWXT Auxiliary Lock**