



UL294 & UL61058-1
Compliant

CM-300 ILLUMINATED EXIT SWITCHES

FEATURES

- HIGH VISIBILITY, EASY TO OPERATE
- GREEN OR RED RECTANGULAR BUTTONS
- SINGLE GANG OR 1 3/4" WIDE STAINLESS STEEL FACEPLATES
- 12V OR 24V DC OPERATION
- FAST AND EASY TO INSTALL
- EE MODEL HAS BUILT-IN 30 SECOND TIMER, WITH DOUBLE BREAK CIRCUITRY
- UL 294 COMPLIANT MODELS

DESCRIPTION

CAMDEN DOOR CONTROLS CM-300 Series Illuminated Exit Switches are economical illuminated exit controls. Buttons are 5/8" x 7/8" and are available in red or green. They are supplied with a stainless steel faceplate in 1 3/4" or 2 3/4" widths.

The SPDT momentary switch component is UL /CSA approved, rated 3 amps @ 30 VDC. The bulb can run on 12V or 24V DC.

CM-310EE is supplied with a narrow style, stainless steel faceplate. It has an integrated 30 second timer with double break circuitry. As required by code, the double break circuit design ensures power to the maglock will be interrupted by pressing the button, should the timer or request to exit sensor malfunction. Pushing the button initiates the timer, while independently cutting power to a magnetic lock.

APPLICATION

CM-300 Series Switches are ideal for any area where a high visibility, easy to activate, illuminated switch is required. They can be surface, flush or mullion (door frame) mounted.

Camden illuminated exit switches are designed to control electric locks, electromagnetic locks, electric strikes, automatic doors, and low-energy operators.

They may also be used for shunting, bypassing alarms, request to exit, timed functions, and many other applications.

Model CM-310EE is to be used where double break circuitry is required by code; typically where magnetic locks are installed.

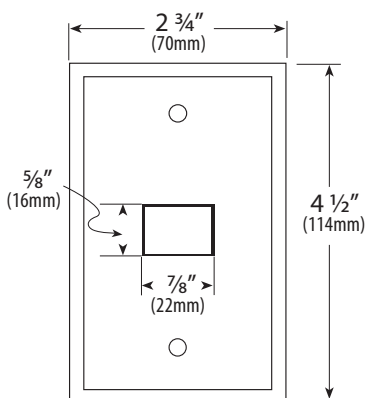


CM-300



CM-310

CM-310PTE/
CM-310EE



CM-300

ILLUMINATED EXIT SWITCHES

ARCHITECTS /ENGINEERS SPECIFICATIONS

The Illuminated exit switches to be used throughout the site/complex shall be CAMDEN DOOR CONTROLS CM-300 Series Illuminated Exit Switches.

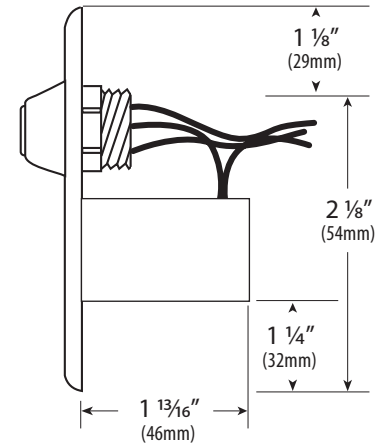
The button shall be $5/8"$ x $7/8"$ and designed to be easy to activate. The faceplate shall be constructed of stainless steel, and shall be supplied with stainless steel Torx or snake eye security screws.

Rating for all electrical contacts shall be a minimum of 3 amps @ 125V AC. The switch used shall be UL 294 compliant and be supplied with color coded leads, and run on either 12V or 24V DC.

Where double break circuitry is required CAMDEN DOOR CONTROLS CM-310EE shall be used.

ORDERING INFORMATION

All CM-300 Illuminated Exit Switches come with a $5/8"$ x $7/8"$ exit button (green or red), mounted on a stainless steel faceplate, 2 socket/slotted screws, and 2 tamperproof screws.



CM-310EE

For Color, add:

'R' for RED button

'G' for GREEN button

For Logos, add:

'S' for SORTIE in black

'ES' for EXIT/SORTIE in black

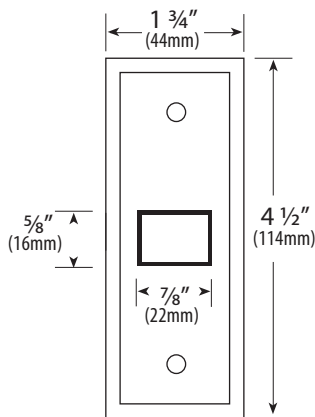
'SA' for SALIDA in black

'ESA' for EXIT/SALIDA in black

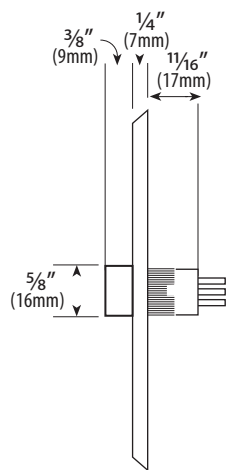
'C' for CUSTOM MESSAGE in black

MODEL	DESCRIPTION
	SINGLE GANG 2 3/4"
CM-300	SPRING RETURN, SPDT MOMENTARY, EXIT
CM-300PTE*	1/2" X 3/4" RECTANGULAR BUTTON, SINGLE GANG FACEPLATE, 'PUSH TO EXIT'
	NARROW STYLE 1 3/4"
CM-310	SPRING RETURN, SPDT MOMENTARY, EXIT
CM-310PTE*	1/2" X 3/4" RECTANGULAR BUTTON, NARROW GANG FACEPLATE, 'PUSH TO EXIT'
	NARROW STYLE, WITH 30 SECOND TIMER
CM-310EE*	SPRING RETURN, WITH 30 SECOND INTEGRATED TIMER 'PUSH TO EXIT'

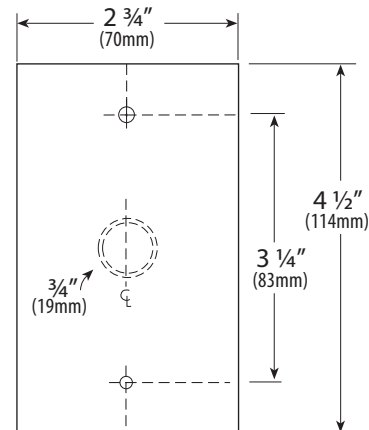
*  **UL294 & UL61058-1 Compliant**



CM-310



CM-300/310



CM-300



5502 Timberlea Blvd. Mississauga, ON Canada L4W 2T7 • Toll Free: 1 877 226-3369 (CAMDEN9)
Tel: (905) 366-3377 • Fax: (905) 366-3378 • E-mail: info@camdencontrols.com • www.camdencontrols.com

LIT-SP-300



Certified ISO 9001: 2008

FS 541752