

CM-25 ALL-ACTIVE JAMB SWITCHES



CM-25



CM-25

FEATURES

- MOUNTS IN ALUMINUM JAMB OR IN SURFACE BOXES
- DURABLE STAINLESS STEEL OR SOLID BRASS CONSTRUCTION
- ALL-ACTIVE DESIGN REQUIRES MINIMAL ACTUATION FORCE & MEETS ADA REQUIREMENTS
- UL/CSA APPROVED SPST N.O. SWITCH, RATED 3 AMPS @ 30V AC
- VARIOUS LOGOS & MESSAGES
- ARCHITECTURAL FINISHES

DESCRIPTION

CAMDEN DOOR CONTROLS CM-25 Series all-active switches are heavy-duty, ADA-compliant door controls. The 1.625" x 4.45" rectangular faceplates are stainless steel or solid brass, and the assembly is designed for easy installation directly on the aluminum jamb (or use optional surface box). The N.O. tubular switch requires minimal frame cut out, is rated 3 AMP @ 30V DC and provides virtually silent operation.

APPLICATION

Camden all-active switches are designed for areas where an easy-to-activate, high-visibility switch is desired. Ideal for high-traffic areas, hospitals, wheelchair access, seniors' residences, etc. They can be surface or flush mounted.

Camden all-active switches are designed to control electric strikes, electromagnetic locks and automatic doors. They may also be used for shunting, bypassing alarms, request to exit, timed functions and many other applications.

The switches are made for high frequency usage for both indoor and outdoor environments. Camden switches are versatile and can be supplied in various configurations and finishes to suit any commercial, industrial or residential application.

ALL-ACTIVE JAMB SWITCHES

ARCHITECTS / ENGINEERS SPECIFICATIONS

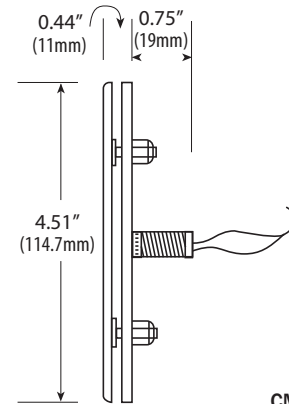
The switches to be used throughout the complex shall be CAMDEN DOOR CONTROLS CM-25 series all-active switches.

The switches shall be easy-to-activate, ADA compliant and all-active, whereby pressing any part of the faceplate will activate the device. Faceplates shall be constructed of 18 gauge stainless steel or solid brass with dimensions of 1.625" x 4.45", and have concealed mounting screws for tamper resistance. Switches shall use plastic spacers and rubber dampers for noise reduction. Actuating switch shall be of a compact tubular rated 3 AMP @ 30V DC.

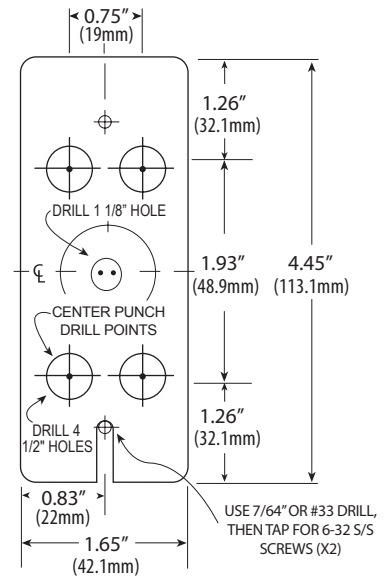
ORDERING INFORMATION

All CM-25 series all-active switches are complete ready-to-install assemblies. They are supplied with stainless steel Allen screws and an Allen wrench for mounting.

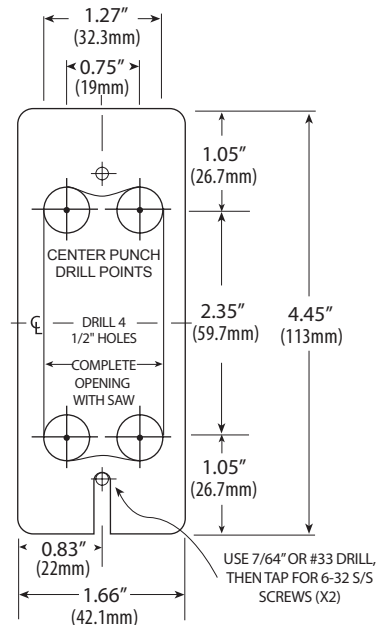
MODEL	DESCRIPTION
	1.625" x 4.45"
CM-25/1	STAINLESS STEEL PLATE, NO EMBOSING
CM-25/2	EMBOSSED WITH WHEELCHAIR LOGO IN BLUE
CM-25/3	EMBOSSED WITH PUSH TO OPEN LOGO IN BLACK
CM-25/4	EMBOSSED WITH WHEELCHAIR LOGO AND PUSH TO OPEN LOGOS IN BLUE
CM-25/C	CUSTOM ENGRAVING, PLEASE SPECIFY WHEN ORDERING
CM-25/5	WHEELCHAIR LOGO, PUSSEZ POUR SORTIR



**CM-25
(SPST MODELS)**



SPST MODELS



DPDT MODELS

DRILL/CUTTING TEMPLATE SUPPLIED WITH PRODUCTS

OPTIONS/FINISHES:

- DP Add DP to product # to order DPDT switch instead of SPST switch (Use special mounting plate/template)
- WR Add WR to product # for weather resistant boot
- WT Add WT to product # for boot and water tight coating
- AL Add AL to product # for arrow left
- AR Add AR to product # for arrow right
- AB Add AB to product # for antique brass finish (US5/C5)
- PB Add PB to product # for polished brass finish (US3/C3)
- SB Add SB to product # for satin brass finish (US4/C4)
- OB Add OB to product # for oil rub bronze finish (US10B/C10B)
- MS Add MS to product # for mirrored stainless steel finish (US32/C32)



5502 Timberlea Blvd. Mississauga, ON Canada L4W 2T7 • Toll Free: 1 877 226-3369 (CAMDEN9)
Tel: (905) 366-3377 • Fax: (905) 366-3378 • E-mail: info@camdencontrols.com • www.camdencontrols.com

LIT-SP-25



Certified ISO 9001: 2008

FS 541752