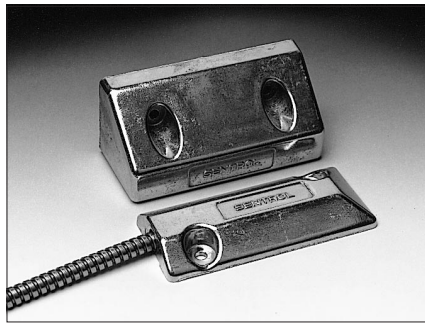
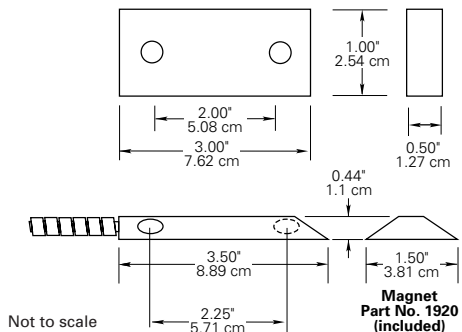
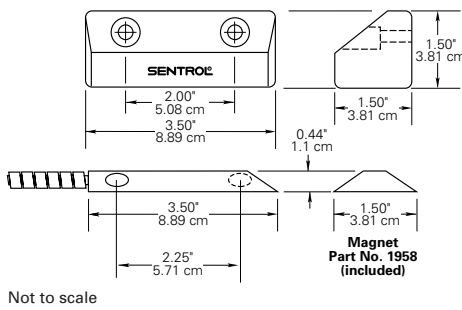
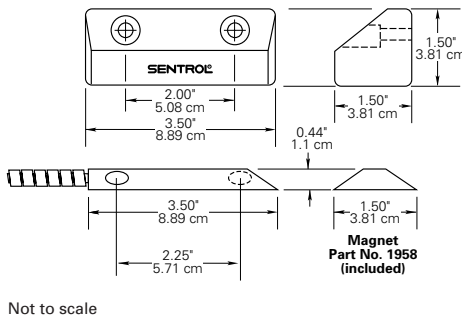
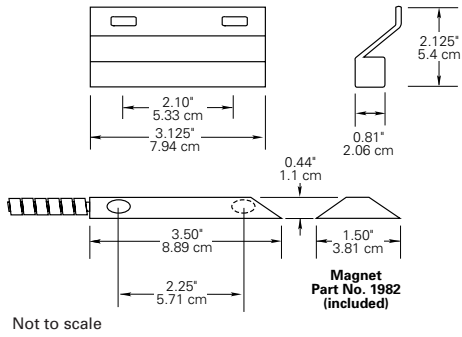













## 2200 Series

### Miniature Surface Mounts With Armored Cable



- Miniature, low-profile design
- Stainless steel armored cable for added security, reliability
- Wide working gap for overhead doors
- Small size less likely to be damaged by forklifts
- Aluminum bar stock resists corrosion in harsh environments
- Mounting hardware included
- Jacketed lead available



ORDERING INFORMATION	Gap Size	Closed Loop	S.P.D.T.	Lead Type
Floor Mounting Contact with Universal Magnet   	3"	2202AU	2204AU	18" Stainless Steel Armored Cable
Floor Mounting Contact Aluminum Housing   	3"	2202A	2204A	18" Stainless Steel Armored Cable
Floor Mounting Contact Extra Heavy-duty Aluminum Bar Stock   	3"	2205A 2205AU	2207A 2207AU	3 foot Stainless Steel Armored Cable
Biased for Higher Security Application  	3/4" to 2 1/2"		2207AH*	3 foot Stainless Steel Armored Cable

For Accessories, see page 6.39

\* Protected by US patent D262,618

MAGNETIC CONTACTS