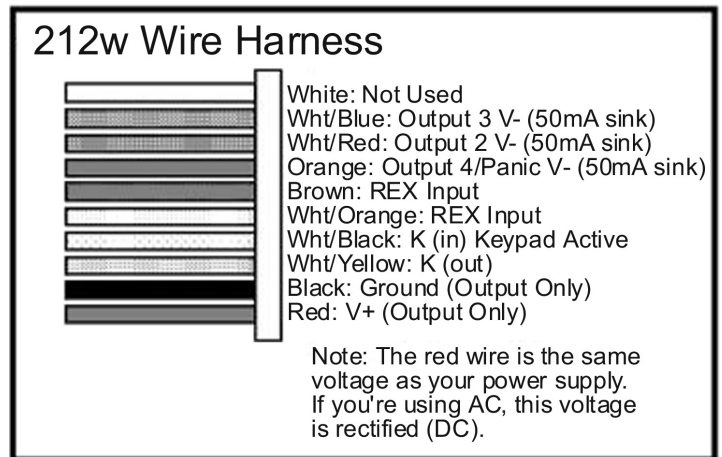
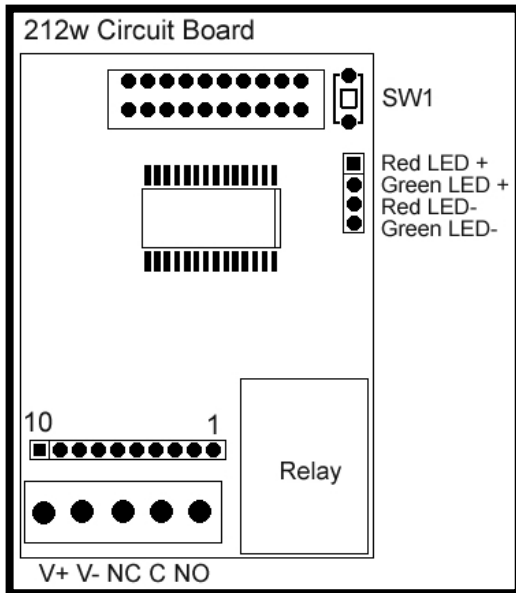


212w Wiring Diagrams and Specifications



TECHNICAL NOTES

This product was re-designed using a new manufacturing technology, which changed the physical appearance of the keypad electronics. Also, the voltage selection jumper on the main circuit board is no longer required.

To prevent electrical kick back voltage from damaging the keypad, when using an electrical locking device, you MUST install the transorb as close as possible to the lock. Wire the transorb in parallel with the lock power terminals.

Also, to avoid ESD (electro-static discharge) from interfering with the operation of the keypad, ground the negative terminal of the keypad to earth ground. If you cannot ground the power supply, then you must ground the keypad housing.

IEI recommends using a filtered and regulated power supply

When mounting the 212w outside, use a weatherproof back box and apply silicone to the area where the wires enter the case. Also, provide a weep hole at the bottom of the back box to prevent condensation from collecting on the circuit board. This keypad is not for use in extreme weather conditions; please consult the factory for additional keypad models

SPECIFICATIONS:

MECHANICAL:

BOARD DIMENSIONS: 1.80"W x 2.555"H x 1.125"D

ELECTRICAL:

VOLTAGE: 12-24 Volts AC/DC (**No Jumper Required**)

CURRENT: 8mA @12VDC typical;

35ma with relay energized.

16mA @24VDC typical;

45ma with relay energized.

21mA @12VAC typical;

74mA with relay energized.

43mA @24VAC typical;

91mA with relay energized.

Note: Keypads using the 293 Relay Board, need an additional 30mA for each relay energized.

OUTPUTS: Main Relay: 5 Amp, Form C @ 24VDC with 10 Amp surge.

Outputs 2, 3, and 4 are 50mA negative voltage outputs

ENVIRONMENTAL:

TEMPERATURE: -20°F TO 130°F (-28°C TO 54°C)

Weather Resistant

Packing Checklist

212w Keypad

10 Conductor Wire Harness (1)

4 Conductor Wire Harness (1)

Slotted screws (2)

Security Screws (2)

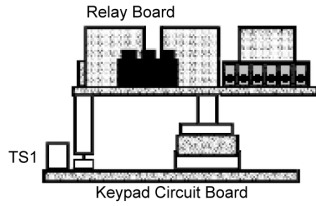
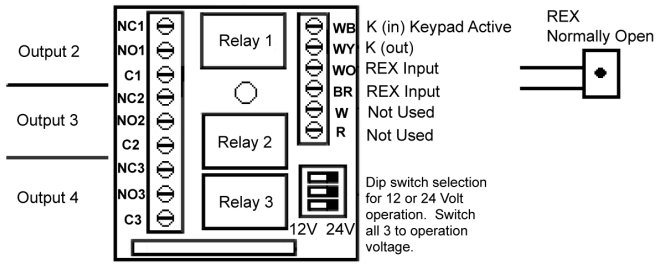
Transorb (1)

Mounting Gasket (1)

Features & Programming Guide

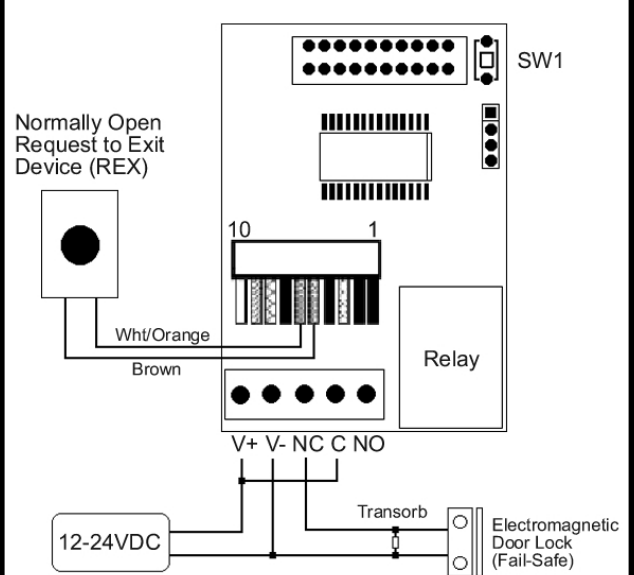
Warranty Guide

293 Auxiliary Relay Board

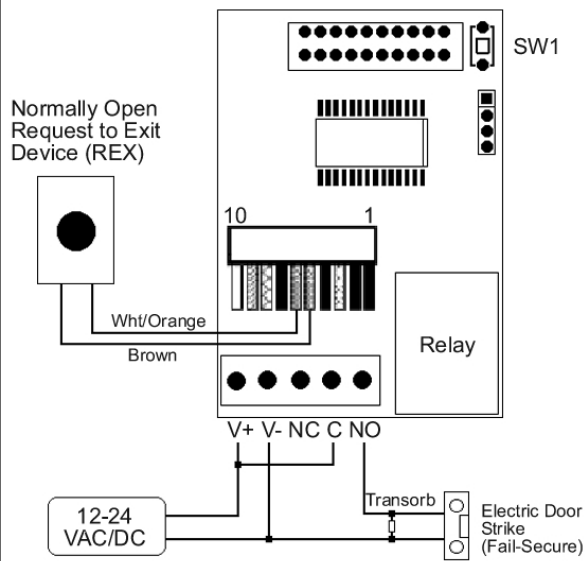


The IEI 293 plug-on relay board converts voltage outputs to 1 Amp, Form C relays and provides screw terminals for all inputs and outputs. The 293 fits into a standard 2" electrical box with the keypad.

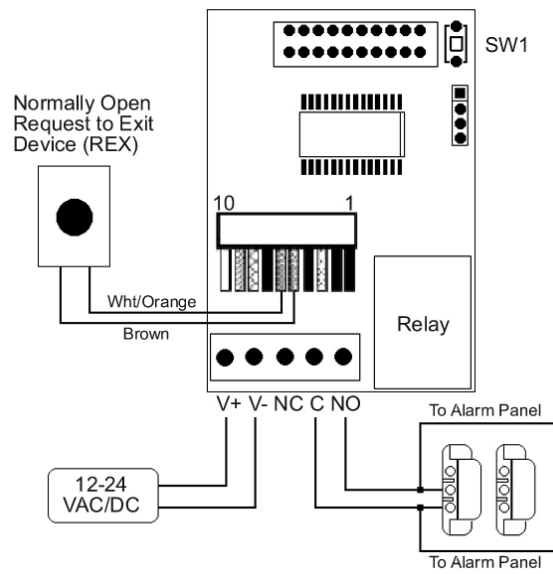
Basic Access Control with an Electromagnetic Door Lock

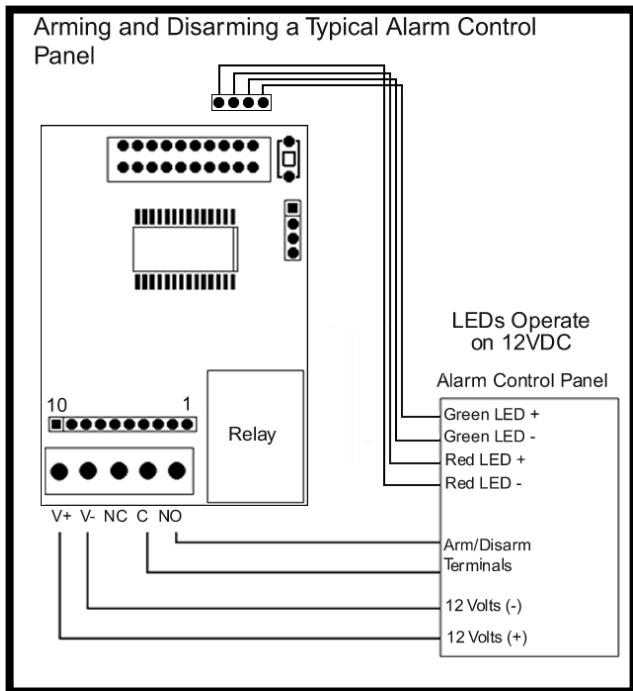
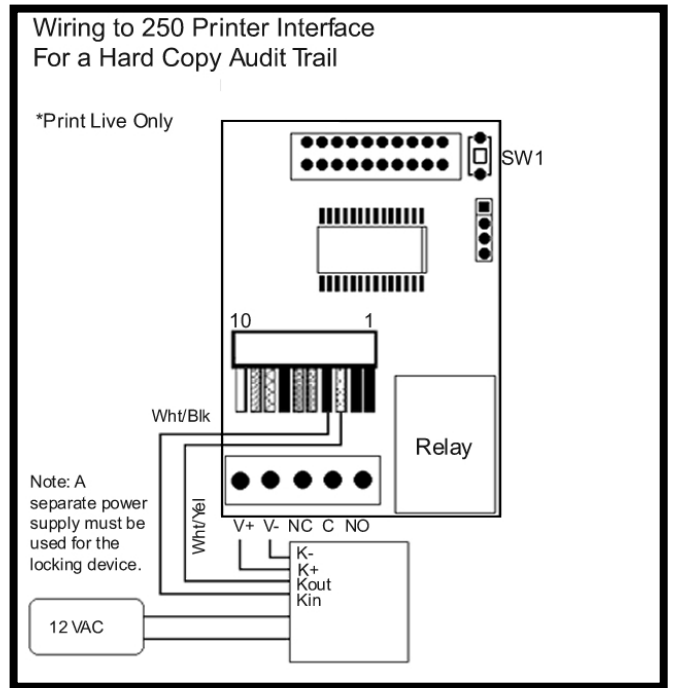
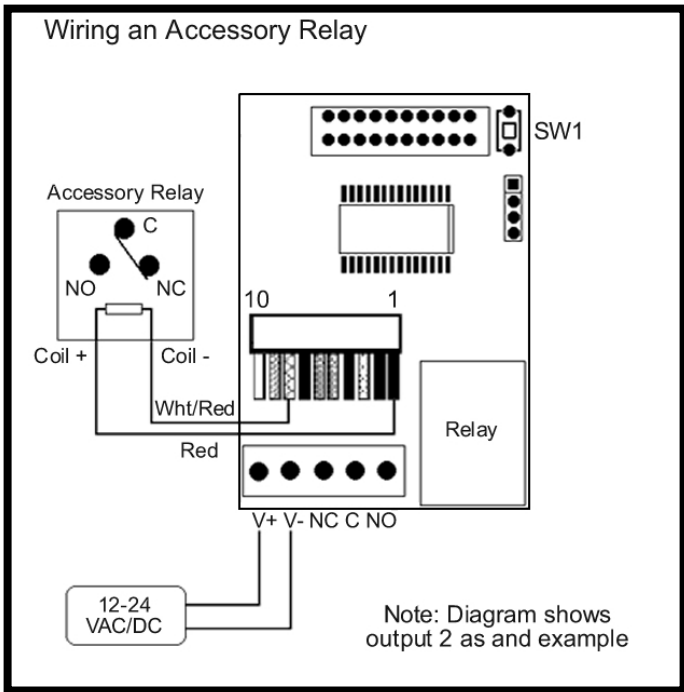


Basic Access Control with an Electric Door Strike



Shunting a Normally Closed Zone and Wiring a Request to Exit Device (REX)





To control the LED's externally cut the four wires going to the green and red LEDs. Each LED has a black and red wire. Black is the negative and red is the positive. These LED's require 12VDC to operate.

