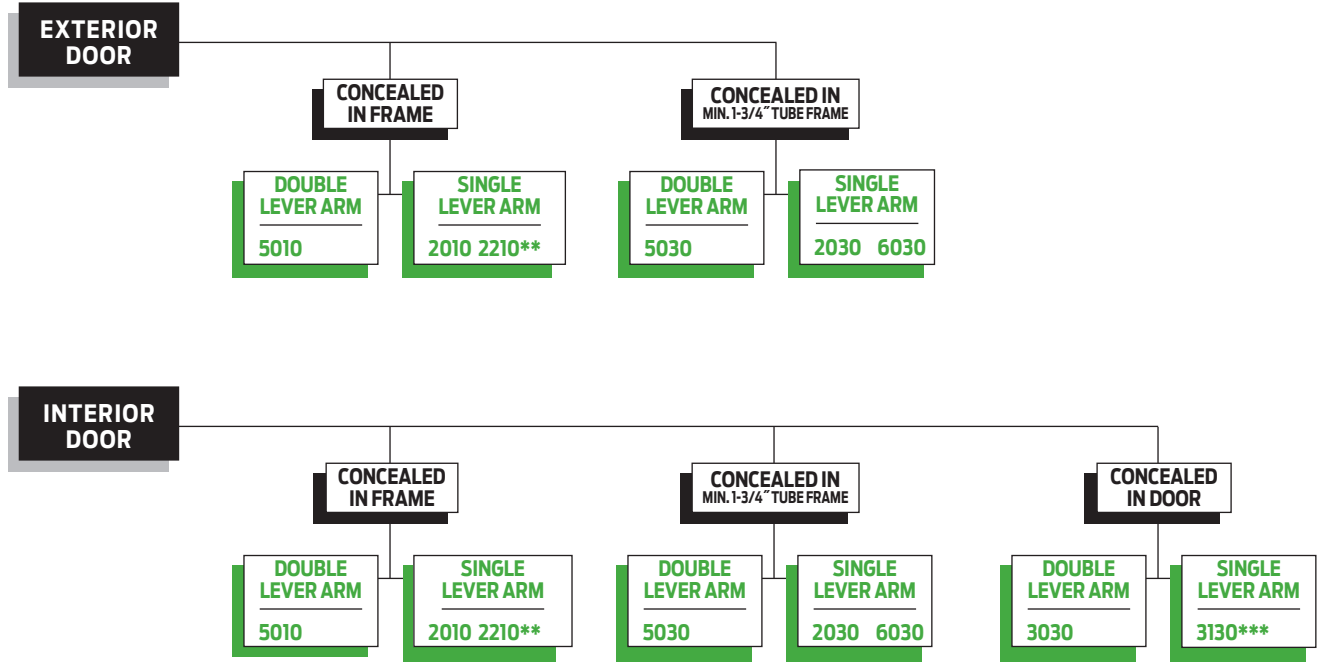


# CONCEALED CLOSER SERIES

## PRODUCT SELECTION GUIDE

The concealed LCN closers feature a modern design for concealment in either the head frame or top rail of the door. This guide is based on the desired mounting of the closer.



\*\* INDICATES HIGH SECURITY CLOSER, DOOR POSITION SWITCH OPTIONAL. REFER TO HIGH SECURITY SECTION OF THE CATALOG.

\*\*\* INDICATES FIRE LIFE SAFETY OPTION AVAILABLE WITH HOLD OPEN CAPABILITY. REFER TO FIRE LIFE SAFETY SECTION.

## PRODUCT COMPARISON

This chart shows a basic comparison of LCN concealed closers. Refer to the specific closer chapter for complete details.

CLOSER SERIES	CONCEALED MOUNTING			FINISH		CYLINDER		ARM		*ARM FUNCTION				
	IN FRAME	IN 1-3/4" TUBE	IN DOOR	POWDER COAT	PLATED	HANDED	SIZED	ACCESSIBILITY	DELAYED ACTION	CONCEALED	EXPOSED	STANDARD (SINGLE)	REGULAR (DOUBLE)	HOLD-OPEN
2010	●	○	○	●	●	●	○	○	○	●	○	180°	○	110°
2030	○	●	○	●	●	●	○	○	○	●	○	180°	○	110°
3030	○	○	●	●	●	●	○	○	○	○	●	○	180°	140°
3130	○	○	●	●	●	●	○	○	○	○	○	140°	○	100°
5010	●	○	○	●	●	●	○	○	○	○	●	○	180°	180°
5030	○	●	○	●	●	●	○	○	○	○	●	○	180°	180°
6030	○	●	○	●	●	○	○	○	○	○	○	95°	○	95°

● AVAILABLE  
○ NOT AVAILABLE

♿ Closer available with less than 5.0 lbs. opening force on 36" door.

\* Maximum opening/hold-open point with standard template. See individual closer series for degrees of opening per installation.

# CONCEALED CLOSER SERIES

## APPLICATIONS

- For aluminum, hollow metal, or wood doors and frames.
- Can be used with hinge or pivot mounted door.
- Closers for 4" or minimum 1-3/4" head frame or 4" top rail.
- Mounting clips for wood frames and other installation accessories available for unusual conditions.
- For concealed in door closers consult factory for installations with pivots.

## FEATURES COMMON TO CONCEALED CLOSERS

- Mountings for head frame or door top rail.
- Handed for right or left swinging doors. (except 6030)
- Closers to meet ADA reduced opening force requirements.
- Adjustable hydraulic backcheck cushions opening swing prior to 90°.
- Separate regulation of general closing speed and latching speed.
- Joints in arm and shoe adapt to uneven trim. (for double lever arms)

## DESIGN ASSISTANCE

LCN has been providing reliable solutions to unique door control problems for over 85 years. Design and specification assistance are only a phone call away. Contact LCN for assistance or technical information at **877-671-7011** or FAX **800-248-1460 (order entry)**, Fax **815-879-1495** for Application Engineering.

## WARRANTY

10 year limited warranty. See General Information Section for complete warranty details.

## SPECIFICATIONS

Refer to "SPECIFICATIONS" section for suggested architectural specifications.

## MATERIALS

(Closers concealed in the door or frame)

- High strength **cast iron** cylinder.
- **Forged steel** main arms (except 6030).
- One piece **forged steel** piston.
- **All weather fluid** in overhead concealed models eliminates seasonal adjustments. From 120°F to -30°F.
- **High efficiency, full compliment**, low friction bearings.
- Tamper resistant regulating screws.
- Full rack and pinion hydraulic action.
- Quiet, low friction track and roller combination for all single lever (standard) arm closers.

## FINISHES

- Available in six standard or a wide selection of optional custom powder coat finishes to blend with door and frame.
- LCN's powder coat finishes surpass 100 hours of salt spray which is over four times the ANSI standard for corrosion resistance.
- For installations where a higher level of corrosive resistance is required, LCN offers an optional special rust inhibiting (SRI) pre-treatment. Closers that combine the exclusive LCN powder coat finish and the SRI pre-treatment exceed the ANSI standard for corrosion resistance even further.
- Plated finishes are available as an option to accent door and frame.

## LISTINGS & APPROVALS

UL listed for self-closing doors without hold-open under "SWINGING DOOR CLOSERS" (GVEV) file R 1943.

Tested and certified under ANSI Standard A156.4. Consult factory for details.

Consult factory for other listings such as; cUL, California State Fire Marshal, Bureau of Standards and Appeals.

## POSITIVE PRESSURE

LCN closers have been certified for three hours by UL to be in compliance with UBC 7.2 (1997) and UL 10 C. Contact LCN for specific details on door closer fire ratings.

## FASTENERS

Standard WOOD and MACHINE SCREW (WMS) pack contains phillips head wood and machine screws to install the closer. TORX machine screws are available for some closers.

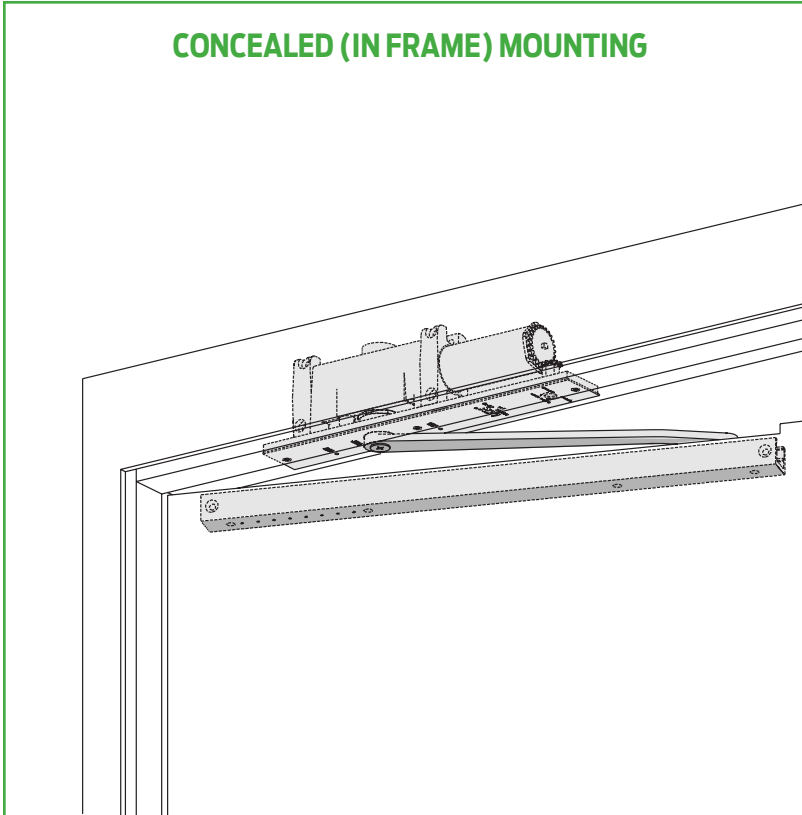
Note 1: Phillips head, metric machine screws are available, please specify.

## MAINTENANCE

Closers mounted according to LCN installation instructions require no periodic maintenance or adjustments.

# 2010 SERIES

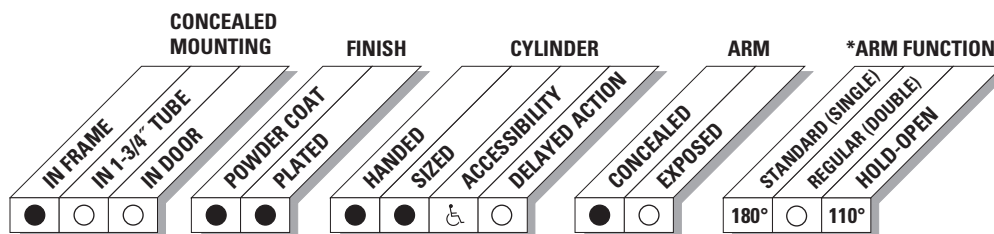
## CONCEALED (IN FRAME) MOUNTING



The concealed 2010 Series is a heavy duty closer designed to provide complete concealment. The single lever arm and roller assembly provide smooth, quiet door control and the choice of finishes and track functions meet virtually all architectural requirements.

The 2010 Series is UL & cUL listed for self-closing doors without hold-open. Tested and certified under ANSI Standard A156.4, grade one.

- Standard 2010 Series closer shipped with standard arm, standard track, metal finish plate and wood and machine screw pack. See 2010 Series page 5 for options.
- Sized cylinders for interior doors to 5'0" and exterior doors to 4'0".
- Handed for right or left swinging doors.
- For aluminum, hollow metal, or wood, doors and frames.
- Aluminum frame requires minimum 4" x 4" (102 mm) tube.
- Closers to meet ADA requirements. See 2010 Series page 6.
- Standard or optional custom powder coat finish.
- Optional plated finish on arm, fasteners and finish plate.
- Optional SRI primer for installations in corrosive conditions. (Available with powder coat finishes only.)



● AVAILABLE  
○ NOT AVAILABLE

♿ Closer available with less than 5.0 lbs. opening force on 36" door.

\* Maximum opening/hold-open point with standard template. See individual closer series for degrees of opening per installation.

# 2010 SERIES

## MOUNTING DETAILS

### CONCEALED MOUNTING

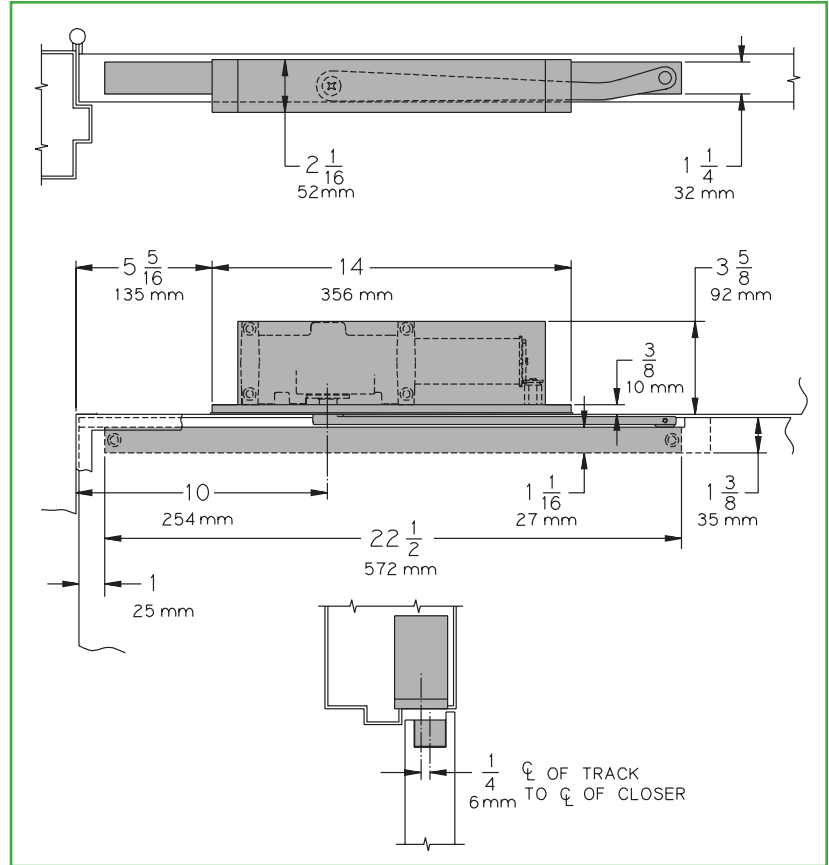
For interior or exterior doors.  
Single acting cylinder in head frame.  
Concealed arm and track in door top rail.

### MAXIMUM OPENING

Butt hinge template allows 180°, trim permitting. Limited to 110° when optional bumper is installed.  
Adjustable hold-open points from 85° to 110°, with hold-open track.

Offset pivot template allows 110°, trim permitting. Limited to 95° when optional bumper is installed.  
Adjustable hold-open points from 75° to 95°, with hold-open track.

Center pivot template allows 120°, trim permitting. Limited to 95° when optional bumper is installed.  
Adjustable hold-open points from 75° to 95°, with hold-open track.



- Butt Hinges should not exceed 5" (127 mm) in width.
- Auxiliary Stop is recommended where a door cannot swing 180°. Optional track bumper assembly assists backcheck in cushioning the opening swing of the door. It is not intended to replace an auxiliary stop.
- Top Rail 1-3/8" (35 mm) mortise required.  
With Fire Shield, 1-13/32" (36 mm) mortise required.  
5/16" (8 mm) cutout required at top of the door, stop face only.
- Door Thickness 1-3/4" (44 mm) minimum.
- Hollow Metal Frame Consult factory for installation instructions.

### Options

- Standard track with Bumper.
- Hold-open track.
- Hold-open track with Bumper.
- Fire Shield.

### Special Templates

Customized installation templates or products may be available to solve unusual applications. Contact LCN Product Support for assistance.

## CYLINDERS

### CYLINDER, 2010-3071

Standard, handed, cast iron cylinder assembly with mounting plate.  
For various applications see "Table of Sizes" on 2010 Series page 6.

## ARM

### STANDARD ARM, 2010-3077T

Handed arm.  
Track roller not included with arm.

## TRACKS

### STANDARD TRACK, 2010-3038

Standard, non hold-open, non-handed track.  
Will accept hold-open clip and/or bumper assembly.

### STANDARD TRACK with BUMPER, 2010-3038B

Optional, non hold-open, non-handed track with bumper.  
Will accept hold-open clip.

### HOLD-OPEN TRACK, 2010-3038H

Optional, non-handed hold-open track.  
Will accept bumper assembly.

### HOLD-OPEN TRACK with BUMPER, 2010-3038HB

Optional, non-handed hold-open track with bumper.

## INSTALLATION ACCESSORIES

### FIRE SHIELD, 2010-420

22 gauge steel liner mounts in the track mortise of the door's top rail  
for 20 minute labeled wood doors.

### TRACK BUMPER, 2010-169

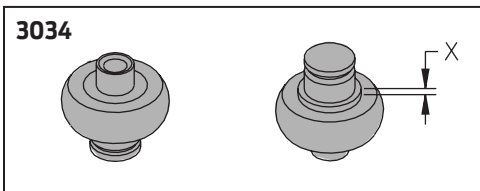
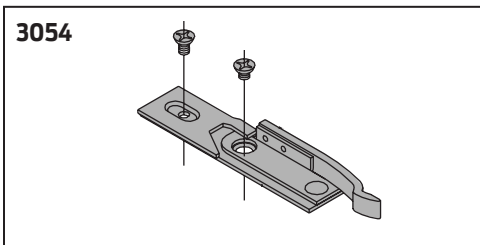
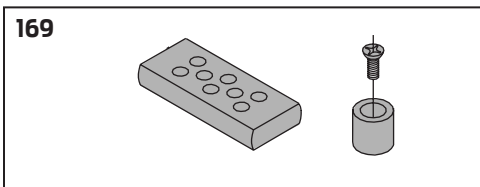
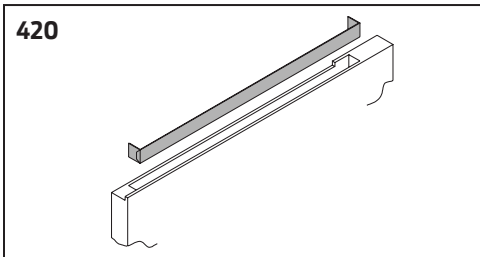
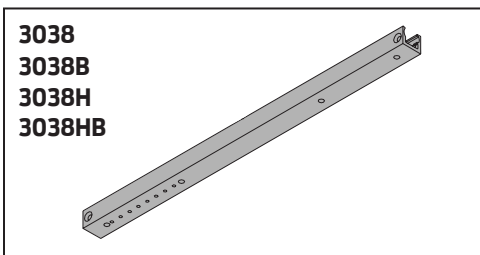
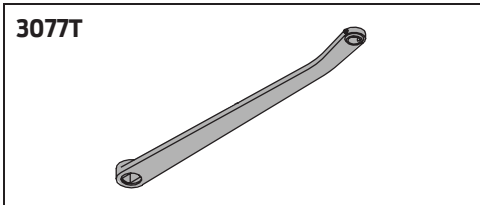
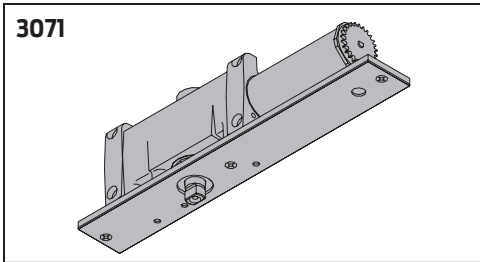
Mounts in track to assist backcheck. Limits maximum opening.  
Consists of bumper, bumper post, and mounting screw.  
NOTE: Track bumper does not replace auxiliary stop.

### HOLD-OPEN CLIP, 2010-3054

Mounts in track to provide hold-open function.  
Hold-open point controlled by clip location.

### TRACK ROLLER, 2010-3034

Quiet, low friction roller assembly.  
Shoulder dimension "X" = 1/16" (2mm).

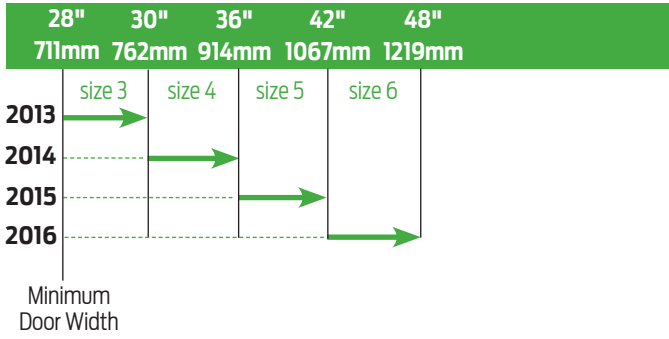


# 2010 SERIES

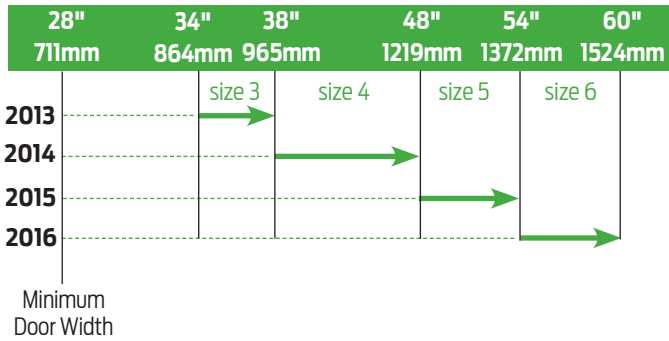
## TABLE OF SIZES

Select closer based on width of door.  
 2010 Series cylinders available in size 1, 3, 4, 5, or 6.  
 Closing power of all 2010 Series closers may be increased 15%.  
 Specify next higher size closer where strong drafts exist.

### EXTERIOR (and VESTIBULE) DOOR WIDTH



### INTERIOR DOOR WIDTH




→ Indicates recommended range of door width for closer size.

## REDUCED OPENING FORCE 2010 CLOSERS

**CAUTION!** Any manual door closer, including those certified by BHMA to conform to ANSI Standard A156.4, that is selected, installed and adjusted based on ADA or other reduced opening force requirements may not provide sufficient power to reliably close and latch a door.

Refer to POWER OPERATORS section for information on systems that meet reduced opening force requirements without affecting closing power.

	DOOR WIDTH	36"	42"	48"
	8.5* lbs.	2014	2014	2015
	5.0* lbs.	2011	2011	2013

\* Maximum opening force.

## HOW-TO-ORDER 2010 SERIES CLOSERS

### 1. SELECT CYLINDER SIZE

- 2011 (ADA)
- 2013
- 2014
- 2015
- 2016

### 2. SPECIFY HAND

- RH
- LH

### 3. SPECIFY FINISH

- Standard Powder Coat \_\_\_\_\_  
 Aluminum, Dark Bronze, Statuary,  
 Light Bronze, Black, Brass.

### Closer will be shipped with:

- FINISH PLATE,
- TRACK ARM,
- TRACK ROLLER,
- STANDARD TRACK,
- WOOD and MACHINE SCREW PACK,  
*unless options listed below are selected.*

## CLOSER OPTIONS

### TRACK

- Standard with Bumper (BUMPER)
- Hold-open (H)
- Hold-open with Bumper (HBUMPER)

### FINISHES

- Custom Powder Coat (RAL) \_\_\_\_\_
- Plated Finish, US \_\_\_\_\_
- SRI primer (use with powder coat finishes only)

### SCREW PACK

- TORX Machine Screw (TORX)

### INSTALLATION ACCESSORIES

- Fire Shield, 2010-420

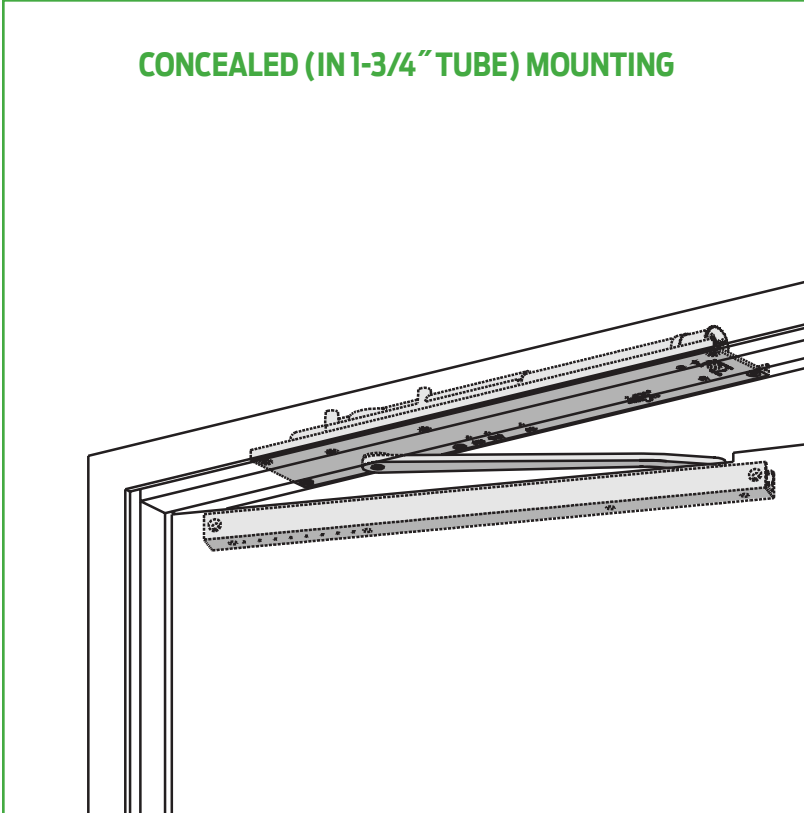
### SPECIAL TEMPLATE

- ST- \_\_\_\_\_

# 2030 SERIES

## FEATURES

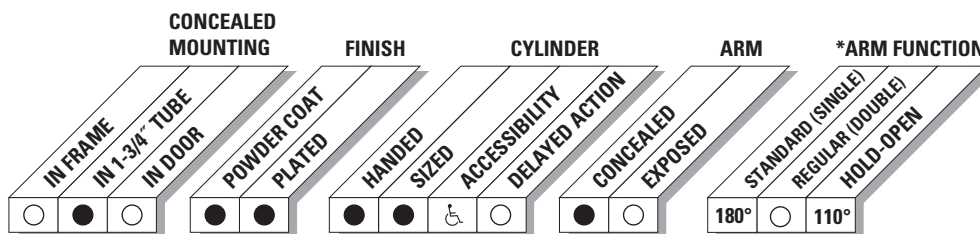
### CONCEALED (IN 1-3/4" TUBE) MOUNTING



The concealed 2030 Series PACER® is a heavy duty closer designed to fit in a narrow, minimum 1-3/4" aluminum transom. The single lever arm and roller assembly provide smooth, quiet door control and the choice of finishes and track functions meet virtually all architectural requirements.

The 2030 Series is UL & cUL listed for self-closing doors, without hold-open. Test and certified under ANSI Standard A156.4, grade one.

- Standard 2030 Series closer shipped with standard arm, standard track, mounting/finish plate, and wood and machine screw pack. See 2030 Series page 9 & 10 for options.
- Sized cylinders for interior doors to 4'6" and exterior doors to 3'6".
- Handed for right or left swinging doors.
- Aluminum frame requires minimum 1-3/4" (44 mm) x 4" (102 mm) tube.
- Closers to meet ADA requirements. See 2030 Series page 11.
- Standard or optional custom powder coat finish.
- Optional plated finish on arm, fasteners and finish plate.
- Optional SRI primer for installations in corrosive conditions. (Available with powder coat finishes only.)



● AVAILABLE  
○ NOT AVAILABLE

♿ Closer available with less than 5.0 lbs. opening force on 36" door.

\* Maximum opening/hold-open point with standard template. See individual closer series for degrees of opening per installation.

# 2030 SERIES

## CONCEALED MOUNTING

For interior or exterior doors.  
Single acting cylinder in head frame.  
Concealed arm and track in door top rail.

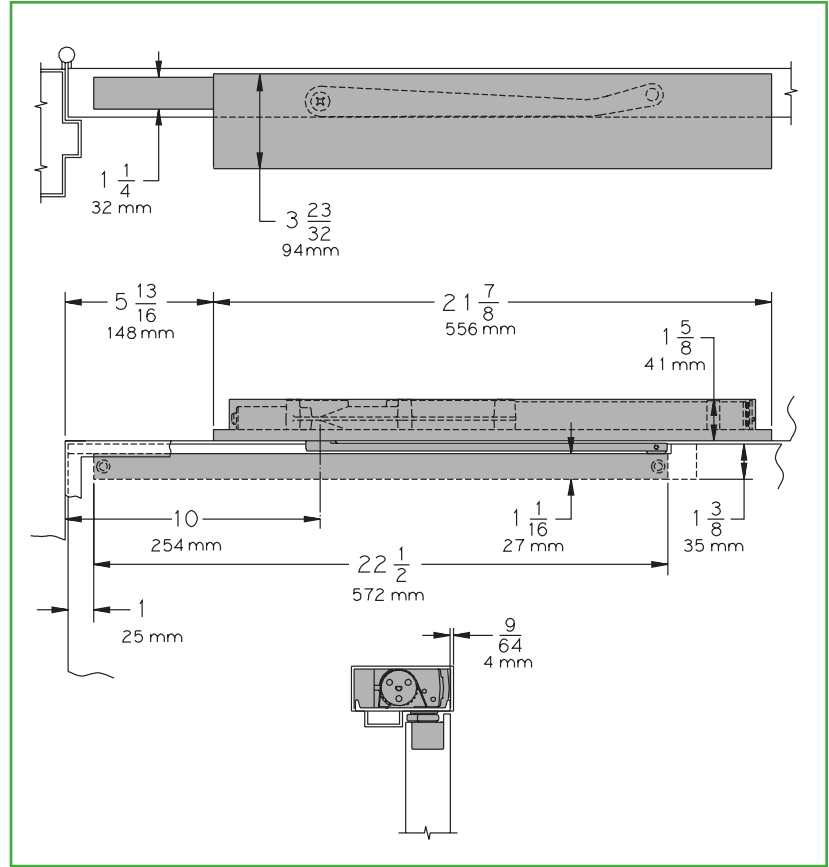
## MAXIMUM OPENING

Butt hinge template allows 180°, trim permitting. Limited to 110° when optional bumper is installed.  
Adjustable hold-open points from 85° to 110°, with hold-open track.

Consult factory if door will be held open at 180°.

Offset pivot template allows 115°, trim permitting. Limited to 95° when optional bumper is installed.  
Hold-open points from 85°, with hold-open track.

Center pivot template allows 120°, trim permitting. Limited to 100° when optional bumper is installed.  
Adjustable hold-open points from 85° to 100°, with hold-open track.



### Options

- Standard track with Bumper.
- Hold-open track.
- Hold-open track with Bumper.
- Fire Shield.

### Special Templates

Customized installation templates or products may be available to solve unusual applications. Contact LCN Product Support for assistance.

- **Butt Hinges** should not exceed 5" (127 mm) in width.
- **Auxiliary Stop** is recommended where a door cannot swing 180°. Optional track bumper assembly assists backcheck in cushioning the opening swing of the door. It is not intended to replace an auxiliary stop.
- **Top Rail** 1-3/8" (35 mm) mortise required. With Fire Shield, 1-13/32" (36 mm) mortise required. 5/16" (8 mm) cutout required at top of the door, stop face only.
- **Door Thickness** 1-3/4" (44 mm) minimum.
- **Hollow Metal Frame** Consult factory for installation instructions.
- **Wood Frame** installation simplified by WOOD MOUNTING CLIP SET 2030-416 for center pivoted or 2030-417 for offset pivoted and butt hung installations. Consult factory for preparation details.



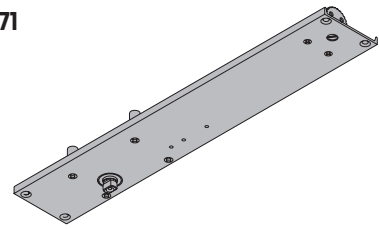
# 2030 SERIES

## CYLINDERS

### CYLINDER, 2030-3071

Standard, handed, cast iron cylinder assembly with mounting plate.  
For various applications see "Table of Sizes" on 2030 Series page 11.

3071

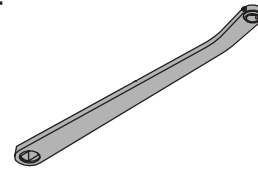


## ARM

### STANDARD ARM, 2030-3077T

Handed arm.  
Track roller not included with arm.

3077T



## TRACKS

### STANDARD TRACK, 2030-3038

Standard, non hold-open, non-handed track.  
Will accept hold-open clip and/or bumper assembly.

### STANDARD TRACK with BUMPER, 2030-3038B

Optional, non hold-open, non-handed track with bumper.  
Will accept hold-open clip.

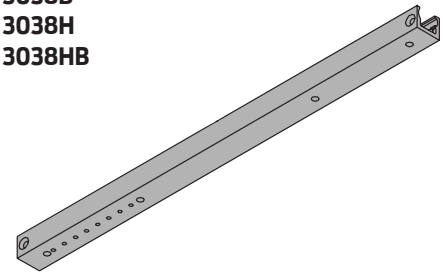
### HOLD-OPEN TRACK, 2030-3038H

Optional, non-handed hold-open track.  
Will accept bumper assembly.

### HOLD-OPEN TRACK with BUMPER, 2030-3038HB

Optional, non-handed hold-open track with bumper.

3038  
3038B  
3038H  
3038HB

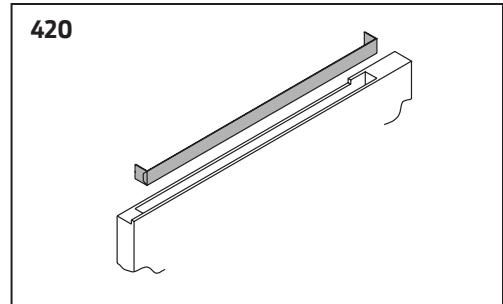


# 2030 SERIES

## INSTALLATION ACCESSORIES

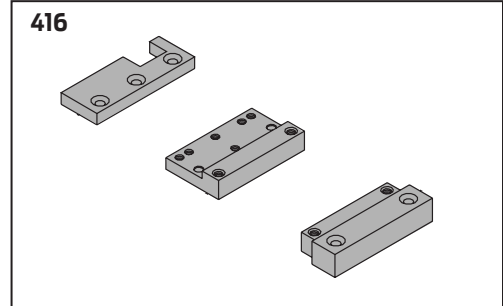
### FIRE SHIELD, 2030-420

22 gauge steel liner mounts in the track mortise of the door's top rail for 20 minute labeled wood doors.



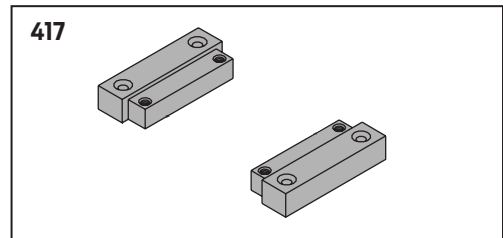
### WOOD MOUNTING CLIP SET, 2030-416

Simplifies mounting center pivoted 2030 closer in wood frame. Includes latch stile clip, hinge stile clip, and cover. For use with Ives Series center pivots. Consult factory for special template.



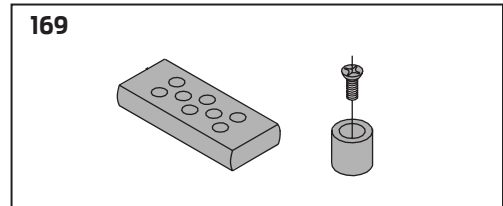
### WOOD MOUNTING CLIP SET, 2030-417

Simplifies mounting offset pivoted or butt hung 2030 closer in wood frame. Includes two clips. For use with offset pivots. Consult factory for special template.



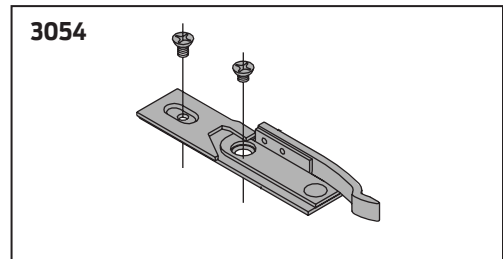
### TRACK BUMPER, 2030-169

Mounts in track to assist backcheck. Limits maximum opening. Consists of bumper, bumper post, and mounting screw. NOTE: Track bumper does not replace auxiliary stop.



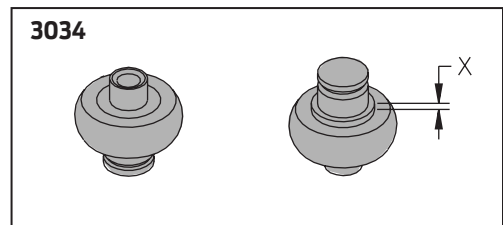
### HOLD-OPEN CLIP, 2030-3054

Mounts in track to provide hold-open function. Hold-open point controlled by clip location.



### TRACK ROLLER, 2030-3034

Quiet, low friction roller assembly. Shoulder dimension "X" = 1/16" (2mm).

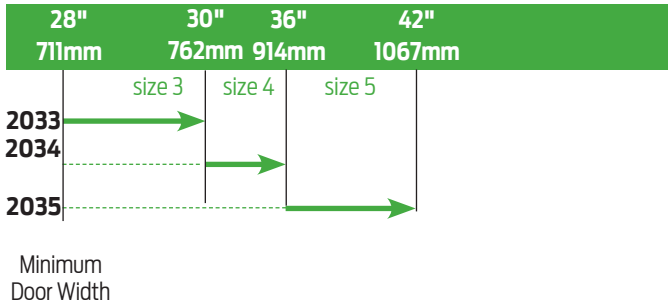


# 2030 SERIES

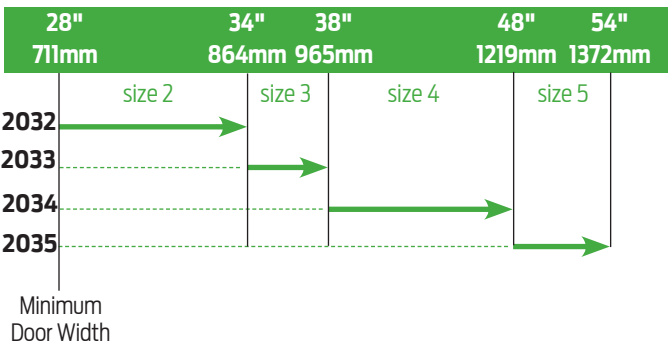
## TABLE OF SIZES

Select closer based on width of door.  
 2030 Series cylinders available in size 1, 2, 3, 4, or 5.  
 Closing power of all 2030 Series closers may be increased 35%.  
 Specify next higher size closer where strong drafts exist.

### EXTERIOR (and VESTIBULE) DOOR WIDTH



### INTERIOR DOOR WIDTH




→ Indicates recommended range of door width for closer size.

## REDUCED OPENING FORCE 2030 CLOSERS

**CAUTION!** Any manual door closer, including those certified by BHMA to conform to ANSI Standard A156.4, that is selected, installed and adjusted based on ADA or other reduced opening force requirements may not provide sufficient power to reliably close and latch a door.

Refer to POWER OPERATORS section for information on systems that meet reduced opening force requirements without affecting closing power.

	DOOR WIDTH	36"	42"	48"
	8.5* lbs.	2033	2033	2034
	5.0* lbs.	2031	2032	2032

\* Maximum opening force.

## HOW-TO-ORDER 2030 SERIES CLOSERS

### 1. SELECT CYLINDER SIZE

- 2031(ADA)
- 2032
- 2033
- 2034
- 2035

### 2. SPECIFY HAND

- RH
- LH

### 3. SPECIFY FINISH

- Standard Powder Coat \_\_\_\_\_  
Aluminum, Dark Bronze, Statuary,  
Light Bronze, Black, Brass.

### Closer will be shipped with:

- FINISH PLATE,
- TRACK ARM,
- TRACK ROLLER,
- STANDARD TRACK,
- WOOD and MACHINE SCREW PACK,  
*unless options listed below are selected.*

## CLOSER OPTIONS

### TRACK

- Standard with Bumper (BUMPER)
- Hold-open (H)
- Hold-open with Bumper (HBUMPER)

### FINISHES

- Custom Powder Coat (RAL) \_\_\_\_\_
- Plated Finish, US \_\_\_\_\_
- SRI primer (use with powder coat finishes only)

### SCREW PACK

- TORX Machine Screw (TORX)

### INSTALLATION ACCESSORIES

- Fire Shield, 2030-420
- Wood Clip Set, 2030-416
- Wood Clip Set, 2030-417

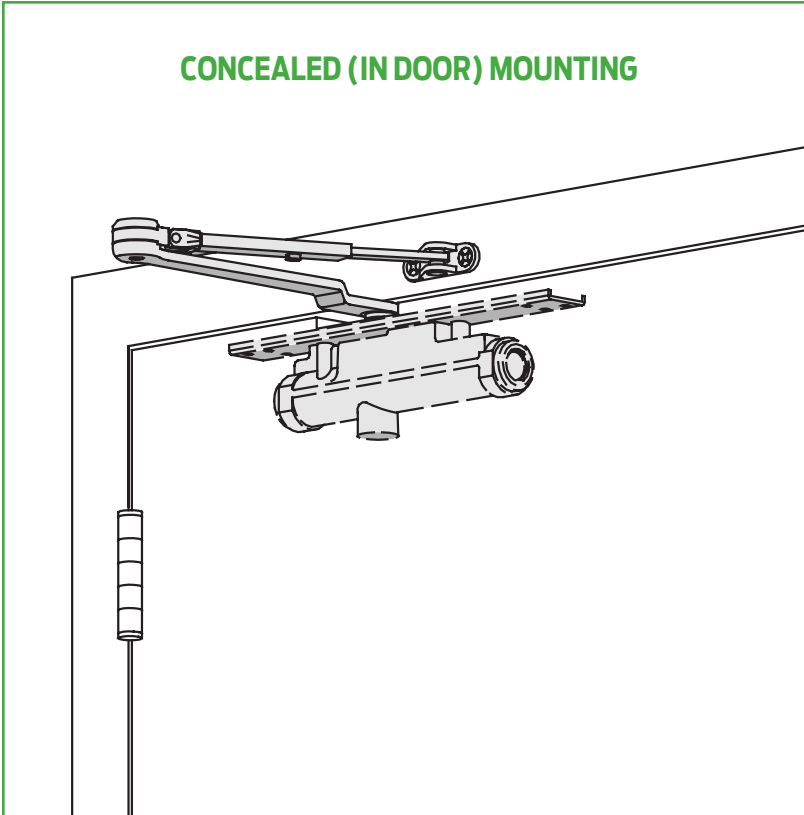
### SPECIAL TEMPLATE

- ST- \_\_\_\_\_



# 3030 SERIES

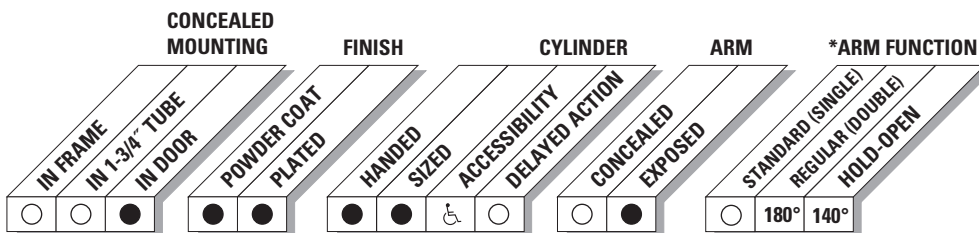
## CONCEALED (IN DOOR) MOUNTING



The concealed 3030 Series is designed to mount in a 1-3/4" interior door. The double lever arm provides superior door control and the choice of finishes and arm functions meet virtually all architectural requirements.

The 3030 Series is UL and cUL listed with regular arm for self-closing doors. Tested and certified under ANSI Standard A156.4, grade one.

- Standard 3030 Series closer shipped with regular arm and wood and machine screw pack. See 3030 Series page 15 for options.
- Sized cylinders for interior doors to 4'0".
- Handed for right or left swinging doors.
- Closers to meet ADA requirements. See 3030 Series page 16.
- Standard or optional custom powder coat finish.
- Optional plated finish on arm and fasteners.
- Optional SRI primer for installations in corrosive conditions. (Available with powder coat finishes only.)
- Consult factory for installations with pivots.



● AVAILABLE  
○ NOT AVAILABLE

♿ Closer available with less than 5.0 lbs. opening force on 36" door.

\* Maximum opening/hold-open point with standard template. See individual closer series for degrees of opening per installation.

# 3030 SERIES

## CONCEALED MOUNTING

For interior doors.  
Single acting cylinder in top rail of door.  
Exposed arm on hinge side of door.

## MAXIMUM OPENING

Can be templated for  
110°,

- Ⓐ = 3-5/8" (92 mm)
- Ⓑ = 10-1/4" (260 mm)

130°,

- Ⓐ = 2-5/8" (67 mm)
- Ⓑ = 9-1/4" (235 mm)

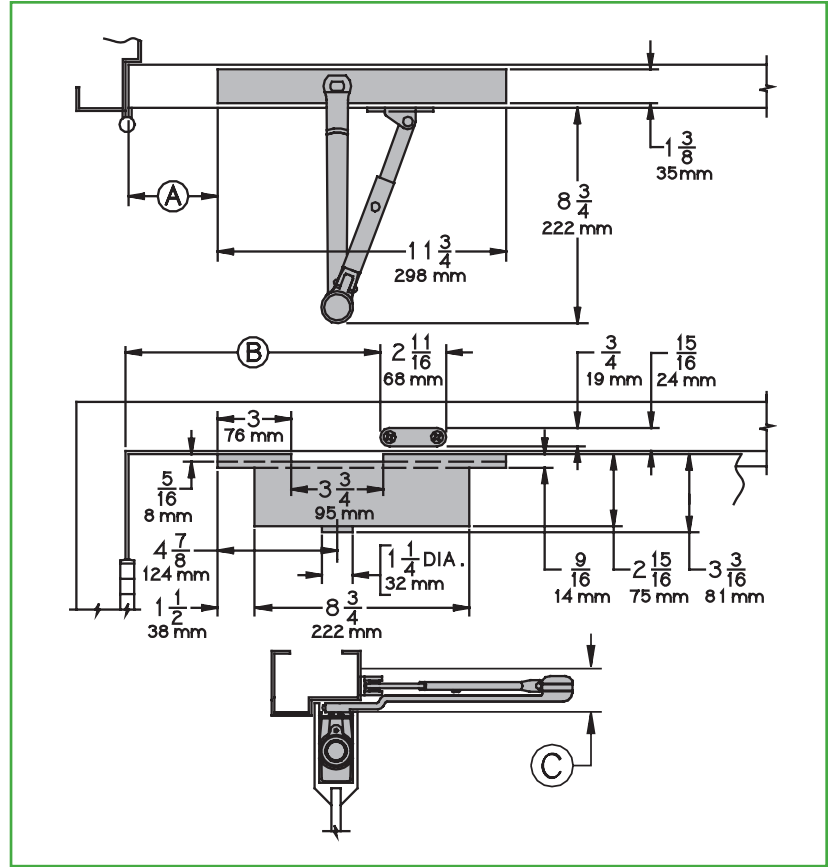
or 180°,

- Ⓐ = 1-5/8" (41 mm)
  - Ⓑ = 8-1/4" (210 mm)
- trim permitting.

Hold-open points up to maximum opening or 140°, whichever is less, with hold-open arm.

Arm clearance above door

- Ⓒ = 1-1/4" (32 mm) minimum.



### Options

- Hold-open arm.
- Consult factory for installations with pivots.

### Special Templates

Customized installation templates or products may be available to solve unusual applications. Contact LCN Product Support for assistance.

- **Butt Hinges** should not exceed 5" (127 mm) in width.
- **Auxiliary Stop** is recommended at hold-open point or where a door cannot swing 180°.
- **Top Rail** minimum 4" (102 mm) required.
- **Door Thickness** 1-3/4" (44 mm) minimum. Please consult the door manufacturer to assure that the door integrity and warranty is maintained after installing the 3030 Series door closer in a 1-3/4" thick wood door.

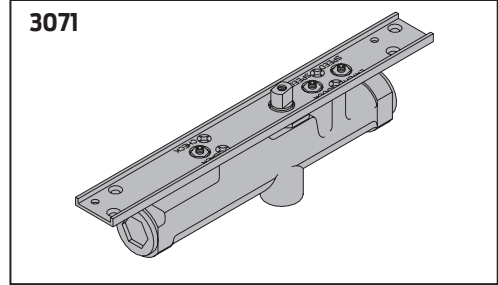
# 3030 SERIES

## ACCESSORIES

### CYLINDERS

#### CYLINDER, 3030-3071

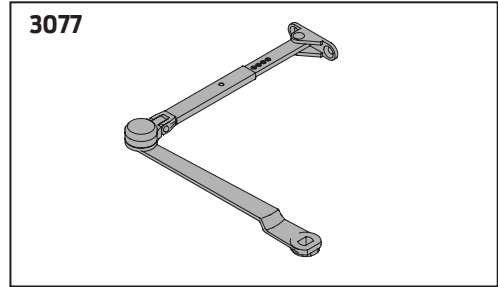
Standard, handed, cast iron cylinder assembly with mounting plate.  
For various applications see "Table of Sizes" on 3030 Series page 16.



### ARMS

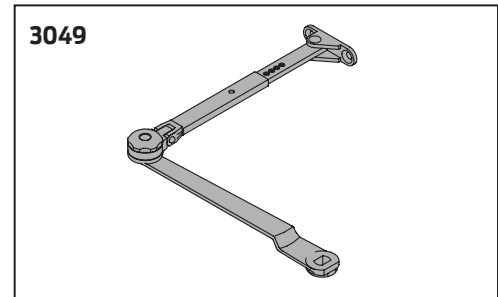
#### REGULAR ARM, 3030-3077

Non-handed arm.



#### HOLD-OPEN ARM, 3030-3049

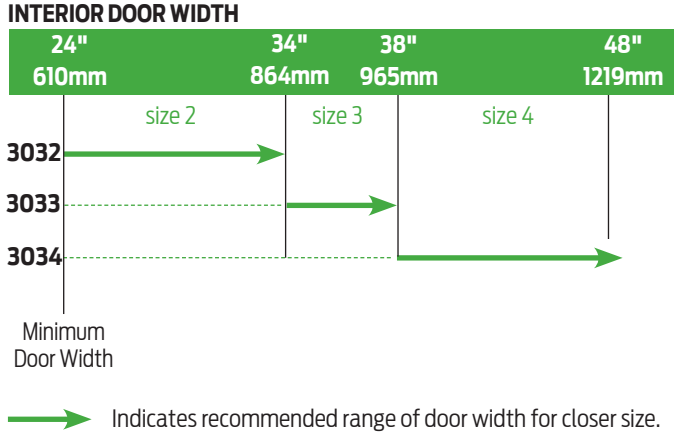
Optional, handed arm provides hold-open function, adjustable at elbow.



# 3030 SERIES

## TABLE OF SIZES

Select closer based on width of door.  
 3030 Series cylinders available in size 1, 2, 3, or 4.  
 Closing power of all 3030 Series closers may be increased 15%.



## HOW-TO-ORDER 3030 SERIES CLOSERS

### 1. SELECT CYLINDER SIZE

- 3031 (ADA)
- 3032
- 3033
- 3034

### 2. SPECIFY HAND

- RH
- LH

### 3. SPECIFY FINISH

- Standard Powder Coat \_\_\_\_\_  
 Aluminum, Dark Bronze, Statuary,  
 Light Bronze, Black, Brass.

### Closer will be shipped with:

- REGULAR ARM,
- WOOD and MACHINE SCREW PACK,  
*unless options listed below are selected.*

## CLOSER OPTIONS

### ARM

- Hold-open (H)

### FINISHES

- Custom Powder Coat (RAL) \_\_\_\_\_
- Plated Finish, US \_\_\_\_\_
- SRI primer (use with powder coat finishes only)

### SCREW PACK

- TORX Machine Screw (TORX)


### SPECIAL TEMPLATE

- ST- \_\_\_\_\_

## REDUCED OPENING FORCE 3030 CLOSERS

**CAUTION!** Any manual door closer, including those certified by BHMA to conform to ANSI Standard A156.4, that is selected, installed and adjusted based on ADA or other reduced opening force requirements may not provide sufficient power to reliably close and latch a door.

Refer to POWER OPERATORS section for information on systems that meet reduced opening force requirements without affecting closing power.

	DOOR WIDTH	36"	42"	48"
	8.5* lbs.	N/A	N/A	N/A
	5.0* lbs.	3031	3031	3032

\* Maximum opening force.



# 3130 SERIES

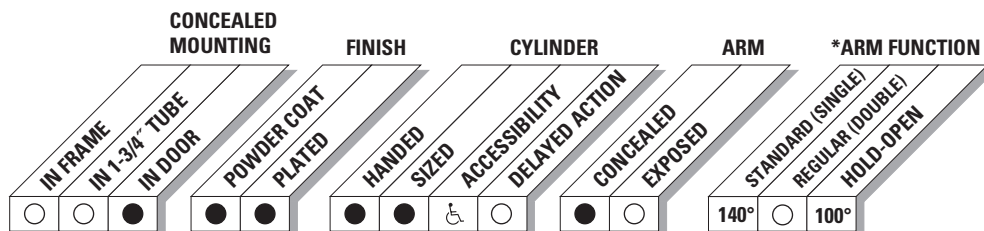
## CONCEALED (IN DOOR) MOUNTING



The concealed 3130 Series is designed to mount in a 1-3/4" interior door. The single lever arm and roller assembly provides complete concealment and the choice of finishes and track functions meet virtually all architectural requirements.

The 3130 Series is UL and cUL listed without hold-open for self-closing doors. Tested and certified under ANSI Standard A156.4, grade one.

- Standard 3130 Series closer shipped with standard arm, standard track and wood and machine screw pack. See 3130 Series page 19 for options.
- Sized cylinders for interior doors to 3' 2".
- Handed for right or left swinging doors.
- Closers to meet ADA requirements. See 3130 Series page 20.
- Standard or optional custom powder coated finish.
- Optional plated finish on arm and fasteners.
- Optional SRI primer for installations in corrosive conditions. (Available with powder coat finishes only.)
- Consult factory for installation with pivots.



● AVAILABLE  
○ NOT AVAILABLE

♿ Closer available with less than 5.0 lbs. opening force on 36" door.

\* Maximum opening/hold-open point with standard template. See individual closer series for degrees of opening per installation.

# 3130 SERIES

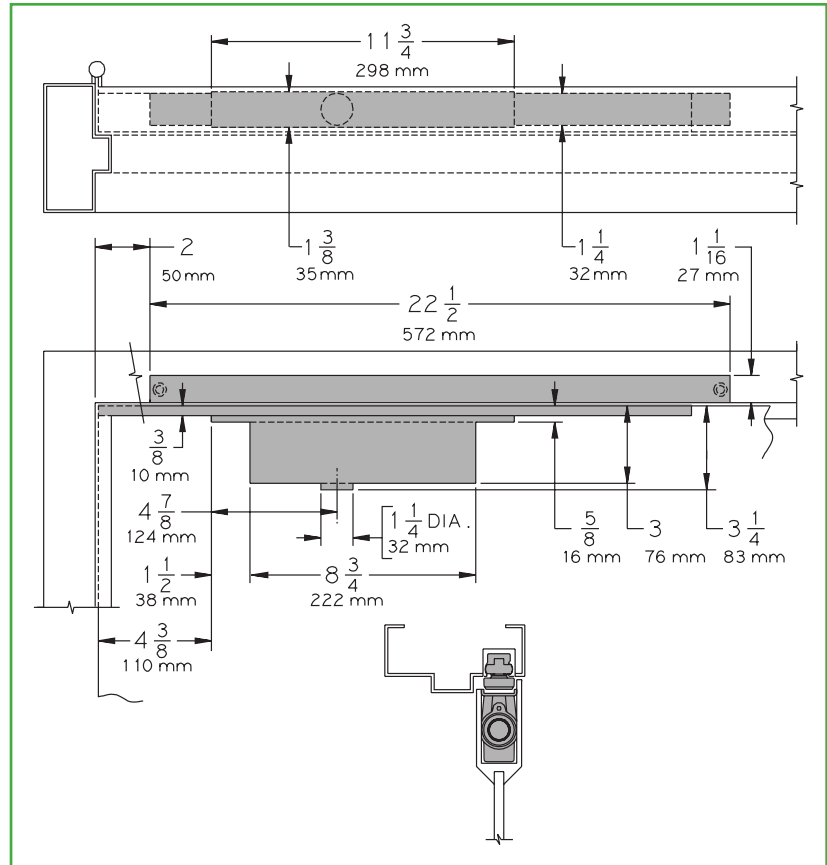
## CONCEALED MOUNTING

For interior doors.  
Single acting cylinder and standard arm  
in top rail of door.  
Concealed track in head frame.

## MAXIMUM OPENING

Templating allows 140°, trim  
permitting. 100° with optional bumper  
installed.

Adjustable hold-open points from 85° to  
100°, with hold-open track.



- **Butt Hinges** should not exceed 5" (127 mm) in width.
- **Auxiliary Stop** is recommended at hold-open point or where a door cannot swing 140°. Optional track bumper assembly assists backcheck in cushioning the opening swing of the door. It is not intended to replace an auxiliary stop.
- **Top Rail** minimum 4" (102 mm) required.
- **Door Thickness** 1-3/4" (44 mm) minimum. Please consult the door manufacturer to assure that the door integrity and warranty is maintained after installing the 3130 Series door closer in a 1-3/4" thick wood door.
- **Door Width** 2' 2" (660 mm) minimum.

### Options

- Standard track with Bumper.
- Hold-open track.
- Hold-open track with Bumper.
- Consult factory for installations with pivots.

### Special Templates

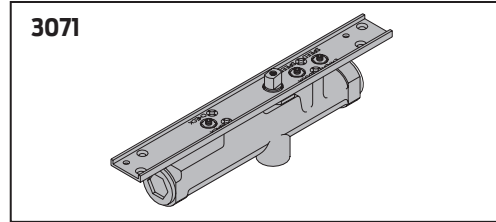
Customized installation templates or products may be available to solve unusual applications. Contact LCN Product Support for assistance.

# 3130 SERIES

## CYLINDERS

### CYLINDER, 3130-3071

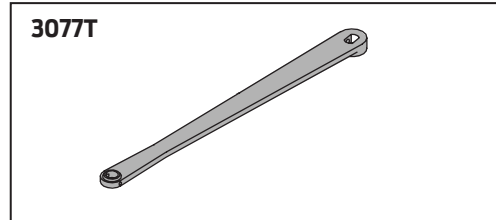
Standard, handed, cast iron cylinder assembly with mounting plate.  
For various applications see "Table of Sizes" on 3130 Series page 20.



## ARMS

### STANDARD ARM, 3130-3077T

Handed arm.  
Track roller not included with arm.



## TRACKS

### STANDARD TRACK, 3130-3038

Standard, non hold-open, non-handed track.  
Will accept hold-open clip and/or bumper assembly.

### STANDARD TRACK with BUMPER, 3130-3038B

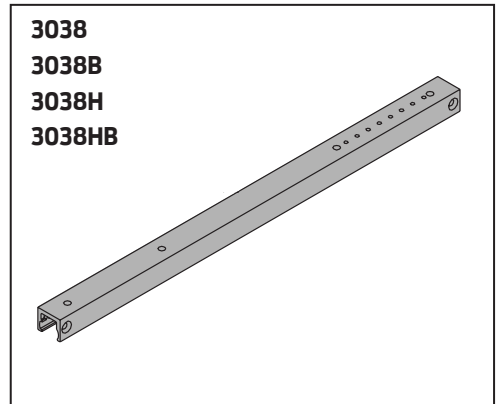
Optional, non hold-open, non-handed track with bumper.  
Will accept hold-open clip.

### HOLD-OPEN TRACK, 3130-3038H

Optional, non-handed hold-open track.  
Will accept bumper assembly.

### HOLD-OPEN TRACK with BUMPER, 3130-3038HB

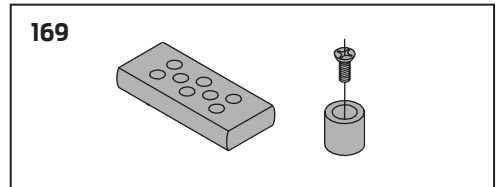
Optional, non-handed hold-open track with bumper.



## INSTALLATION ACCESSORIES

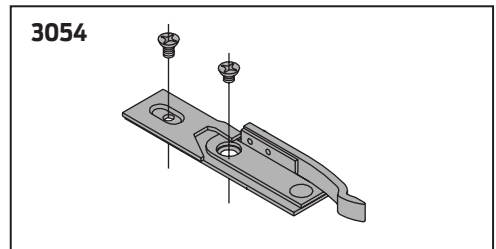
### TRACK BUMPER, 3130-169

Mounts in track to assist backcheck, does not replace auxiliary stop.  
Limits maximum opening.  
Consists of bumper, bumper post, and mounting screw.



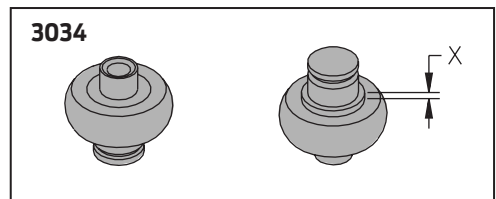
### HOLD-OPEN CLIP, 3130-3054

Mounts in track to provide hold-open function.  
Hold-open point controlled by clip location.



### TRACK ROLLER, 3130-3034

Quiet, low friction roller assembly.  
Shoulder dimension "X" = 1/8" (2mm).



# 3130 SERIES

TABLE OF SIZES Select closer based on width of door.  
 3130 Series cylinders available in size 1, 2, or 3.  
 Closing power of 3130 Series closers is not adjustable.

## INTERIOR DOOR WIDTH

26"	34"	38"
660mm	864mm	965mm



Minimum Door Width

→ Indicates recommended range of door width for closer size.

## HOW-TO-ORDER 3130 SERIES CLOSERS

### 1. SELECT CYLINDER SIZE

- 3131 (ADA)
- 3132
- 3133

### 2. SPECIFY HAND

- RH
- LH

### 3. SPECIFY FINISH

- Standard Powder Coat \_\_\_\_\_  
 Aluminum, Dark Bronze, Statuary,  
 Light Bronze, Black, Brass.

#### Closer will be shipped with:

- FINISH PLATE,
- TRACK ROLLER,
- STANDARD TRACK,
- WOOD and MACHINE SCREW PACK,  
*unless options listed below are selected.*

## CLOSER OPTIONS

### TRACK

- Standard with Bumper (BUMPER)
- Hold-open (H)
- Hold-open with Bumper (HBUMPER)

### FINISHES

- Custom Powder Coat (RAL) \_\_\_\_\_
- Plated Finish, US \_\_\_\_\_
- SRI primer (use with powder coat finishes only)

### SCREW PACK

- TORX Machine Screw (TORX)

### SPECIAL TEMPLATE

- ST- \_\_\_\_\_

## REDUCED OPENING FORCE 3130 CLOSERS

**CAUTION!** Any manual door closer, including those certified by BHMA to conform to ANSI Standard A156.4, that is selected, installed and adjusted based on ADA or other reduced opening force requirements may not provide sufficient power to reliably close and latch a door.

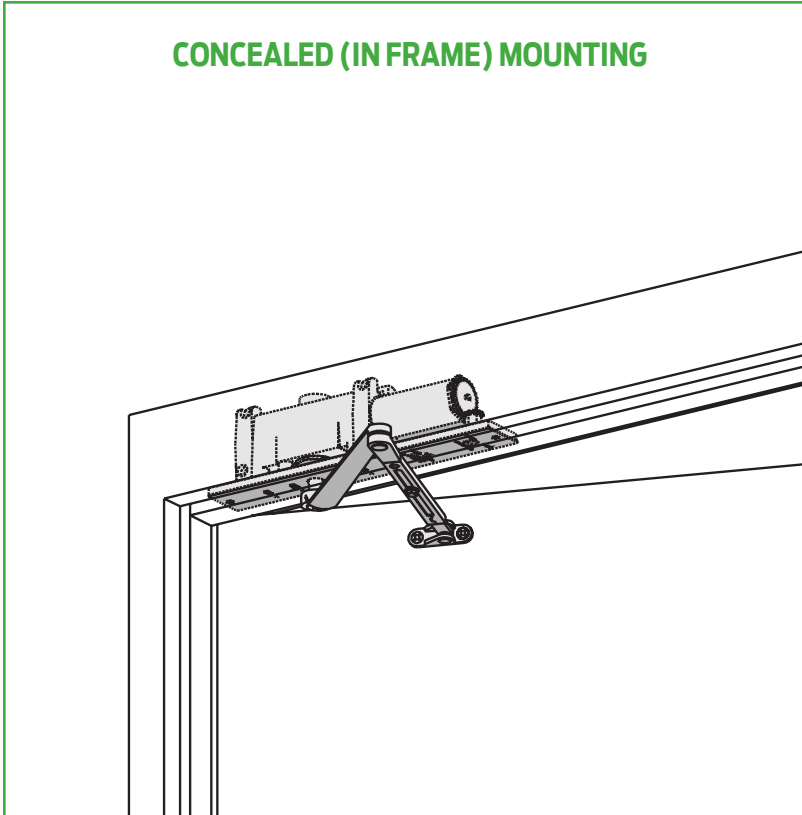
Refer to POWER OPERATORS section for information on systems that meet reduced opening force requirements without affecting closing power.

	DOOR WIDTH	36"	42"	48"
	8.5* lbs.	N/A	N/A	N/A
	5.0* lbs.	3131	3131	3132

\* Maximum opening force.

# 5010 SERIES

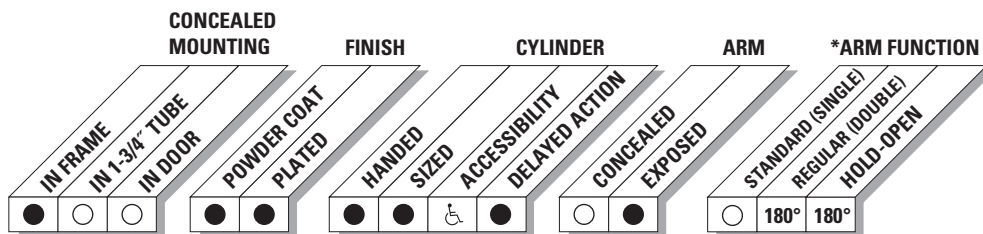
## CONCEALED (IN FRAME) MOUNTING



The concealed 5010 Series is a heavy duty closer designed for institutional, high traffic, or other applications exposed to weather or abuse. The double lever arm provides superior door control and a choice of finishes, cylinder functions, and arm functions that meet virtually all architectural requirements.

The 5010 Series is UL and cUL listed with regular arms for self-closing doors. Tested and certified under ANSI Standard A156.4, grade one.

- Standard 5010 Series closer shipped with regular arm, metal finish plate, and wood and machine screw pack. See 5010 Series page 23 for options.
- Sized cylinders for interior doors to 5'0" and exterior doors to 4'0".
- Handed for right or left swinging doors.
- For hollow metal or wood, door and frame.
- Aluminum frame requires minimum 4" (102 mm) x 4" tube.
- Closers to meet ADA requirements. See 5010 Series page 24.
- Standard or optional custom powder coat finish.
- Optional plated finish on finish plate, arm, and fasteners.
- Optional SRI primer for installations in corrosive conditions. (Available with powder coat finishes only.)



● AVAILABLE  
○ NOT AVAILABLE

♿ Closer available with less than 5.0 lbs. opening force on 36" door.

\* Maximum opening/hold-open point with standard template. See individual closer series for degrees of opening per installation.

# 5010 SERIES

## CONCEALED MOUNTING

For interior or exterior doors.  
Single acting cylinder in head frame.  
Exposed arm on push side of door.

## MAXIMUM OPENING

Butt hung doors can be templated for 100°,

Ⓐ = 10-3/16" (259 mm)

Ⓑ = 12" (305 mm)

or 180°,

Ⓐ = 5-1/2" (140 mm)

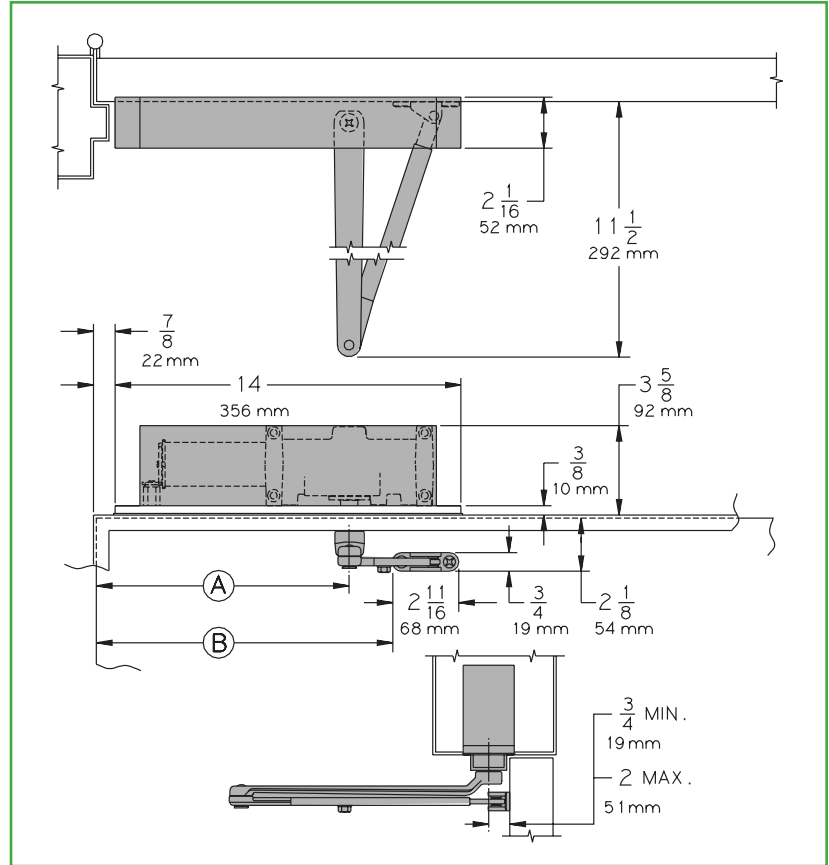
Ⓑ = 7-5/16" (186 mm)

trim permitting.

Hold-open points up to maximum opening with hold-open arms.

Center pivot mounting restricts opening to 140°.

Offset pivot mounting allows up to 180°, trim permitting.



- **Butt Hinges** should not exceed 6" (152 mm) in width.
- **Auxiliary Stop** is recommended at hold-open point or where a door cannot swing 180°.
- **Top Rail** minimum 2-1/8" (54 mm) required.
- **Delay Action** Add suffix "DEL" to selected cylinder (eg. 5014 DEL).  
Not available with 5016 cylinder.  
Delays closing from maximum opening to approximately 70°.  
Delay time adjustable up to approximately 1 minute.

### Options

- Delayed action cylinder.
- Hold-open.

### Special Templates

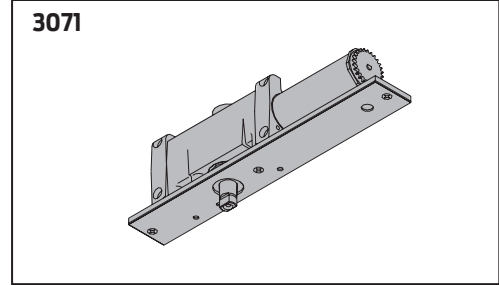
Customized installation templates or products may be available to solve unusual applications. Contact LCN Product Support for assistance.

# 5010 SERIES

## CYLINDERS

### CYLINDER, 5010-3071

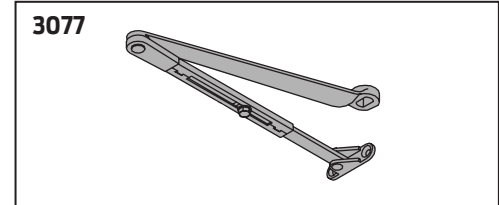
Standard, handed, cast iron cylinder assembly with mounting plate.  
For various applications see "Table of Sizes" on 5010 Series page 24.



## ARMS

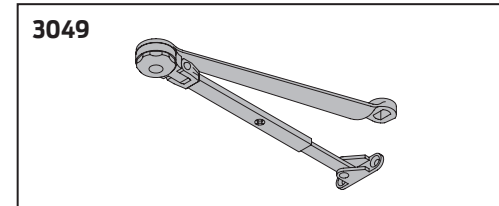
### REGULAR ARM, 5010-3077

Non-handed arm.



### HOLD-OPEN ARM, 5010-3049

Optional, handed arm provides hold-open function for 100° Template, adjustment at elbow.



# 5010 SERIES

## TABLE OF SIZES

Select closer based on width of door.  
 Series cylinders available in size 1, 2, 3, 4, 5, or 6.  
 Closing power of all 5010 Series closers may be increased 50%.  
 Specify next higher size closer where strong drafts exist.  
 Delayed action not available with 5016 cylinder.

### EXTERIOR (and VESTIBULE) DOOR WIDTH

	24" 610mm	30" 762mm	36" 914mm	42" 1067mm	48" 1219mm
5013	→ size 3	→ size 4	→ size 5	→ size 6	
5014		→ size 4	→ size 5	→ size 6	
5015			→ size 5	→ size 6	
5016				→ size 6	

Minimum Door Width

### INTERIOR DOOR WIDTH

	24" 610mm	34" 864mm	38" 965mm	48" 1219mm	54" 1372mm	60" 1524mm
5012	→ size 2	→ size 3	→ size 4	→ size 5	→ size 6	
5013		→ size 3	→ size 4	→ size 5	→ size 6	
5014			→ size 4	→ size 5	→ size 6	
5015				→ size 5	→ size 6	
5016					→ size 6	


Minimum Door Width

→ Indicates recommended range of door width for closer size.

## REDUCED OPENING FORCE 5010 CLOSERS

**CAUTION!** Any manual door closer, including those certified by BHMA to conform to ANSI Standard A156.4, that is selected, installed and adjusted based on ADA or other reduced opening force requirements may not provide sufficient power to reliably close and latch a door.

Refer to POWER OPERATORS section for information on systems that meet reduced opening force requirements without affecting closing power.

	DOOR WIDTH	36"	42"	48"
	8.5* lbs.	5012	5013	5013
	5.0* lbs.	5011	5011	5012

\* Maximum opening force.

## HOW-TO-ORDER 5010 SERIES CLOSERS

### 1. SELECT CYLINDER SIZE

- 5011 (ADA)
- 5012
- 5013
- 5014
- 5015
- 5016 (DEL not available)

### 2. SPECIFY HAND

- RH
- LH

### 3. SPECIFY FINISH

- Standard Powder Coat \_\_\_\_\_  
Aluminum, Dark Bronze, Statuary,  
Light Bronze, Black, Brass.

#### Closer will be shipped with:

- FINISH PLATE,
- REGULAR ARM,
- WOOD and MACHINE SCREW PACK,  
*unless options listed below are selected.*

## CLOSER OPTIONS

### CYLINDER FUNCTION

- Delayed Action (DEL)

### ARM

- Hold-Open (H)

### FINISHES

- Custom Powder Coat (RAL) \_\_\_\_\_
- Plated Finish, US \_\_\_\_\_
- SRI primer (use with powder coat finishes only)

### SCREW PACK

- TORX Machine Screw (TORX)

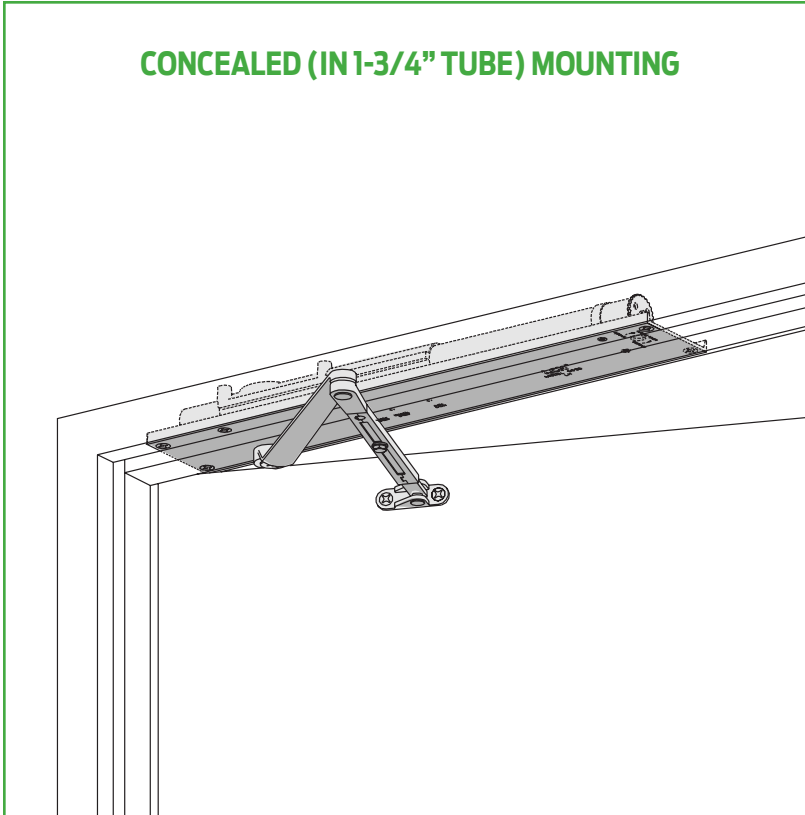
### SPECIAL TEMPLATE

- ST- \_\_\_\_\_



# 5030 SERIES

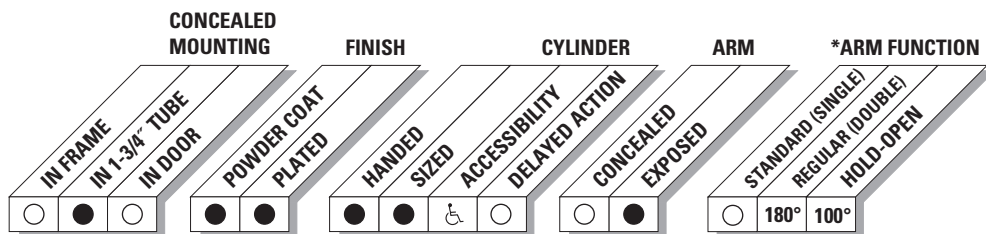
## CONCEALED (IN 1-3/4" TUBE) MOUNTING



The concealed 5030 Series PACER® is a heavy duty closer designed to fit in a narrow, minimum 1-3/4" aluminum transom. The double lever arm provides superior door control and the choice of finishes and arm functions meet virtually all architectural requirements.

The 5030 Series is UL and cUL listed with regular arms for self-closing doors. Tested and certified under ANSI Standard A156.4, grade one.

- Standard 5030 Series closer shipped with regular arm, mounting/finish plate and wood and machine screw pack. See 5030 Series page 27 for options.
- Sized cylinders for interior doors to 5' 0" and exterior doors to 4' 0".
- Handed for right or left swinging doors.
- Aluminum frame requires minimum 1-3/4" (44 mm) x 4-1/2" (114 mm) tube.
- Closers to meet ADA requirements. See 5030 Series page 28.
- Standard or optional custom powder coat finish.
- Optional plated finish on arm, fasteners and mounting/finish plate.
- Optional SRI primer for installations in corrosive conditions. (Available with powder coat finishes only.)



● AVAILABLE  
○ NOT AVAILABLE

♿ Closer available with less than 5.0 lbs. opening force on 36" door.

\* Maximum opening/hold-open point with standard template. See individual closer series for degrees of opening per installation.

# 5030 SERIES

## CONCEALED MOUNTING

For interior or exterior doors.  
Single acting cylinder in head frame.  
Exposed arm on push side of door.

## MAXIMUM OPENING

Butt hung doors can be templated for 100°,

Ⓐ = 5-13/16" (148 mm)

Ⓑ = 11-13/16" (300 mm)

or 180°,

Ⓐ = 2-1/16" (52 mm)

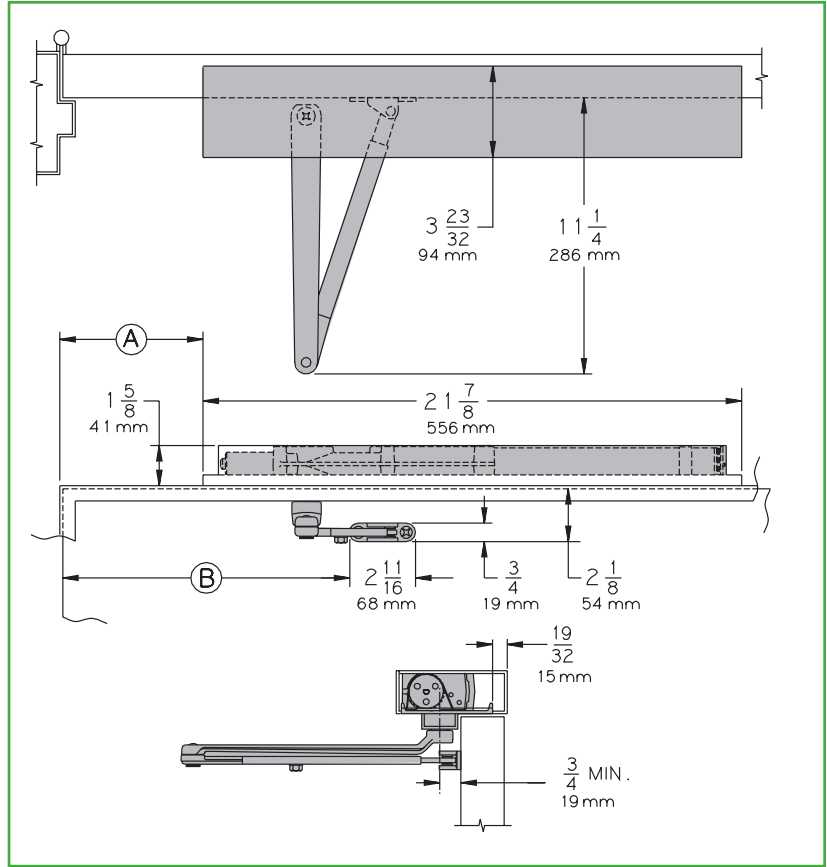
Ⓑ = 8-1/16" (205 mm)

trim permitting.

Hold-open points up to maximum opening with hold-open arms.

Center pivot mounting restricts opening to 120°.

Offset pivot mounting allows up to 115°, trim permitting.



- **Butt Hinges** should not exceed 6" (152 mm) in width.
- **Auxiliary Stop** is recommended at hold-open point or where the door cannot swing 180°.
- **Wood Frame** installation simplified by WOOD MOUNTING CLIP SET 5030-416 for center pivoted or 5030-417 for offset pivoted and butt hung installations. Consult factory for preparation details.
- **Top Rail** minimum 2-1/8" (54 mm) required.
- **Door Thickness** maximum 1-3/4" (44 mm), for doors thicker than 1-3/4" consult factory.

### Options

- Hold-open.

### Special Templates

Customized installation templates or products may be available to solve unusual applications. Contact LCN Product Support for assistance.

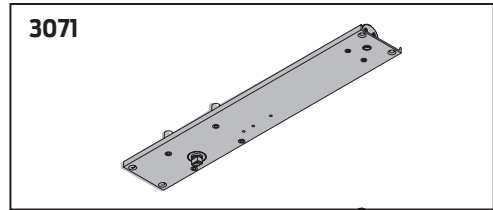
# 5030 SERIES

## ACCESSORIES

### CYLINDERS

#### CYLINDER, 5030-3071

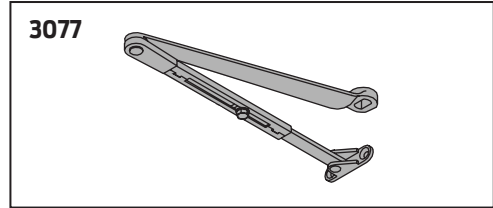
Standard, handed, cast iron cylinder assembly with mounting plate.  
For various applications see "Table of Sizes" on 5030 Series page 28.



### ARMS

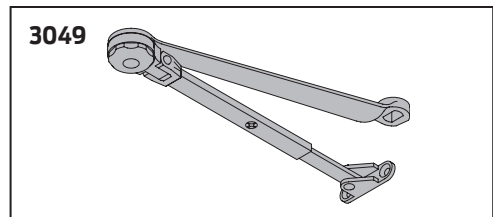
#### REGULAR ARM, 5030-3077

Non-handed arm.



#### HOLD-OPEN ARM, 5030-3049

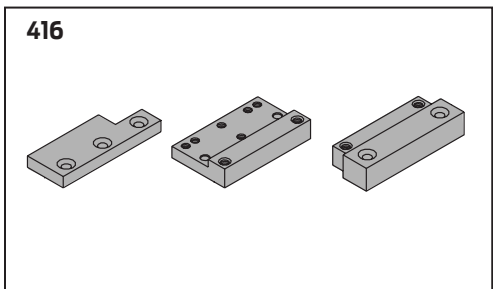
Optional, handed arm provides hold-open function for 100° template, adjustable at elbow.



### INSTALLATION ACCESSORIES

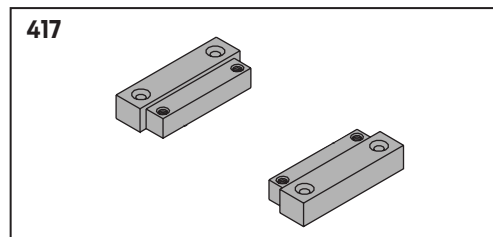
#### WOOD MOUNTING CLIP SET, 5030-416

Simplifies mounting center pivoted 5030 closer in wood frame.  
Includes latch stile clip, hinge stile clip, and cover. For use with Ives Series center pivots. Consult factory for special template.



#### WOOD MOUNTING CLIP SET, 5030-417

Simplifies mounting offset pivoted or butt hung 5030 closer in wood frame. Includes two clips. For use with offset pivots. Consult factory for special template.

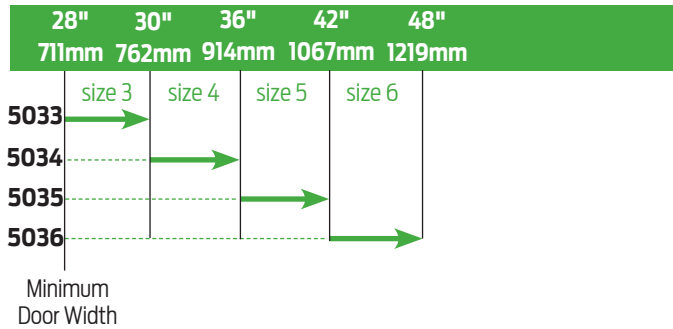


# 5030 SERIES

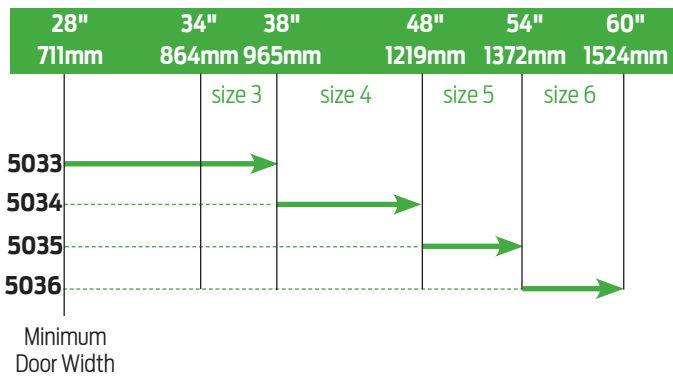
## TABLE OF SIZES

Select closer based on width of door.  
 5030 Series cylinders available in size 1, 3, 4, 5, or 6.  
 Closing power of all 5030 Series closers may be increased 50%.  
 Specify next higher size closer where strong drafts exist.

### EXTERIOR (and VESTIBULE) DOOR WIDTH



### INTERIOR DOOR WIDTH



→ Indicates recommended range of door width for closer size.

Note: Minimum door width 28" (711 mm).

## REDUCED OPENING FORCE 5030 CLOSERS

**CAUTION!** Any manual door closer, including those certified by BHMA to conform to ANSI Standard A156.4, that is selected, installed and adjusted based on ADA or other reduced opening force requirements may not provide sufficient power to reliably close and latch a door.

Refer to POWER OPERATORS section for information on systems that meet reduced opening force requirements without affecting closing power.

	DOOR WIDTH	36"	42"	48"
	8.5* lbs.	5033	5033	5033
	5.0* lbs.	5031	5031	5033

\* Maximum opening force.

## HOW-TO-ORDER 5030 SERIES CLOSERS

### 1. SELECT CYLINDER SIZE

- 5031 (ADA)
- 5033
- 5034
- 5035
- 5036

### 2. SPECIFY HAND

- RH
- LH

### 3. SPECIFY FINISH

- Standard Powder Coat \_\_\_\_\_  
 Aluminum, Dark Bronze, Statuary,  
 Light Bronze, Black, Brass.

### Closer will be shipped with:

- REGULAR ARM,
- WOOD and MACHINE SCREW PACK,  
*unless options listed below are selected.*

## CLOSER OPTIONS

### ARM

- Hold-Open (H)

### FINISHES

- Custom Powder Coat (RAL) \_\_\_\_\_
- Plated Finish, US \_\_\_\_\_
- SRI Primer (use with powder coat finishes only)

### SCREW PACK

- TORX Machine Screw (TORX)

### INSTALLATION ACCESSORIES

- Wood Clip Set, 5030-416
- Wood Clip Set, 5030-417

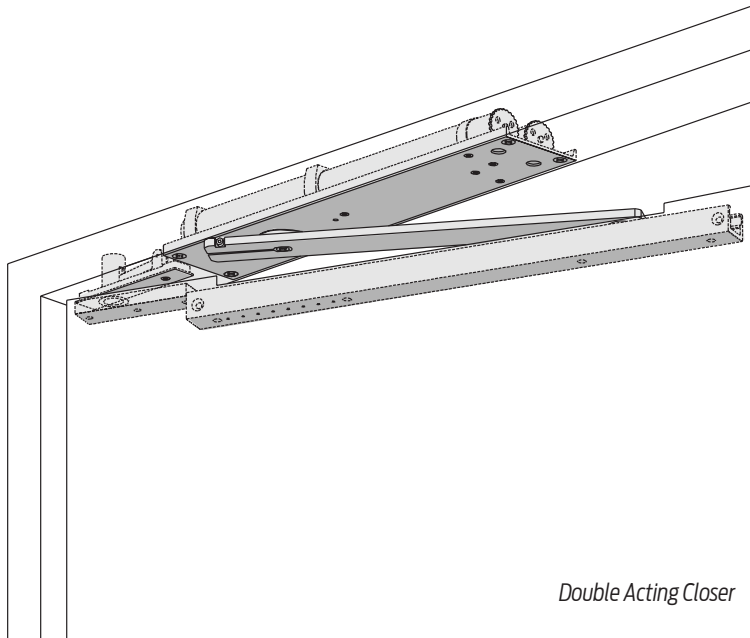
### SPECIAL TEMPLATE

- ST- \_\_\_\_\_

# 6030 SERIES

## FEATURES

### CONCEALED (IN 1-3/4" TUBE) MOUNTING



The concealed 6030 Series PACER® is a heavy duty, double acting closer designed to fit in a narrow, minimum 1-3/4" header. The single lever arm and roller assembly provides smooth, quiet door control and the choice of finishes and track functions meet virtually all architectural requirements. Installation at left illustrated with center pivot set (not included).

*The 6030 Series is UL and cUL listed for self-closing doors, non hold-open. Tested and certified under ANSI Standard A156.4, grade one.*

- Standard 6030 Series closer shipped with standard arm, standard track with bumper, mounting/finish plate and wood and machine screw pack. See 6030 Series page 31 for options.
- Sized, double acting cylinders for interior doors to 4'6" and exterior doors to 3'6".
- Aluminum frame requires minimum 1-3/4" (44 mm) x 4" (102 mm) header.
- Closers to meet ADA requirements. See 6030 Series page 32.
- Adjustment of spring power and latch speed independent for either swing.
- Backcheck and general speed adjustment are common for both swings.
- Standard or optional custom powder coat finish.
- Optional plated finish on arm, fasteners and mounting/finish plate.
- Optional SRI primer for installations in corrosive conditions. (Available with powder coat finishes only.)

CONCEALED MOUNTING			FINISH		CYLINDER			ARM		*ARM FUNCTION					
IN FRAME	IN 1-3/4" TUBE	IN DOOR	POWDER COAT	PLATED	HANDED	SIZED	ACCESSIBILITY	DELAYED ACTION	CONCEALED	EXPOSED	95°	95°	STANDARD (SINGLE)	REGULAR (DOUBLE)	HOLD-OPEN
○	●	○	●	●	○	●	♿	○	●	○	95°	○	95°		

- AVAILABLE
- NOT AVAILABLE

♿ Closer available with less than 5.0 lbs. opening force on 36" door.  
 \* Maximum opening/hold-open point with standard template. See individual closer series for degrees of opening per installation.

# 6030 SERIES

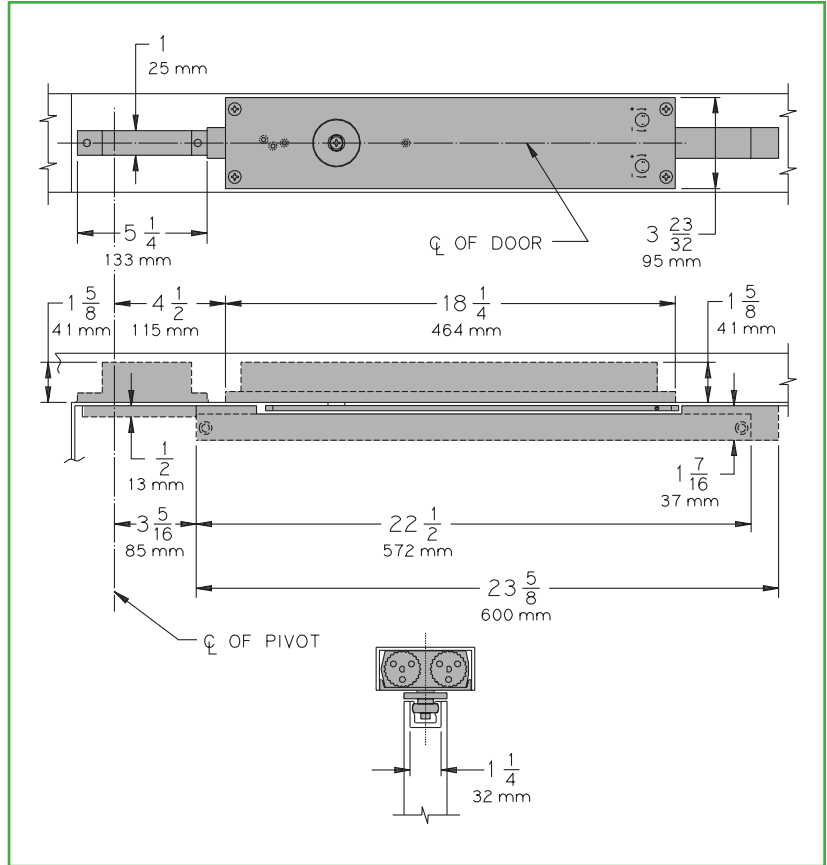
## CONCEALED MOUNTING

For interior or exterior doors.  
 Double acting cylinder in cased frame.  
 Concealed arm and track in door top rail.  
 Center pivots only.

## MAXIMUM OPENING

Center pivot template allows 95°.

Adjustable hold-open points from 85° to 95°, with hold-open track.



- **Auxiliary Stop** is recommended where a door cannot swing 95°.
- **Center Pivot Set**, must be used but ordered separately.
- **Door Width** 30" (762 mm) minimum with 1-3/4" (44 mm) pivot centers.
- **Top Rail** 1-7/16" (36 mm) mortise required. 3/8" (10 mm) cutout required at top of the door, both sides.
- **Door Thickness** 1-3/4" (44 mm) minimum.
- **Centering Adjustment** provided by eccentric in track roller with 3/4" (19 mm) adjustment to center a 36" (914 mm) door in the opening.
- **Wood Frame** installation simplified by WOOD MOUNTING CLIP SET, 6030-416. Consult product support for special template.

### Options

- Hold-open track with Bumper.

### Special Templates

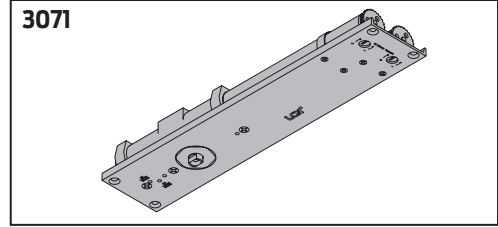
Customized installation templates or products may be available to solve unusual applications. Contact LCN Product Support for assistance.

# 6030 SERIES

## CYLINDERS

### CYLINDER, 6030-3071

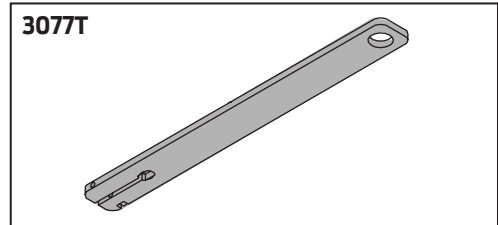
Standard, non-handed, cast iron cylinder assembly with mounting plate. For various applications see "Table of Sizes" on 6030 Series page 36.



## ARM

### STANDARD ARM, 6030-3077T

Non-handed 5/16" (8 mm) thick arm.  
Track roller not included with arm.



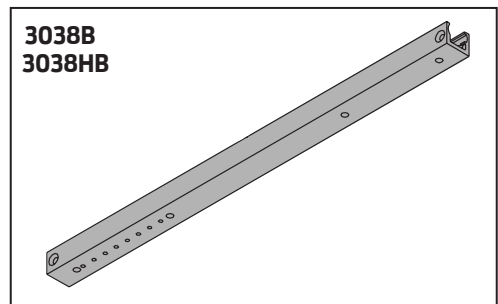
## TRACKS

### STANDARD TRACK with BUMPER, 6030-3038B

Standard, non hold-open, non-handed track with bumper.  
Will accept hold-open clip.

### HOLD-OPEN TRACK with BUMPER, 6030-3038HB

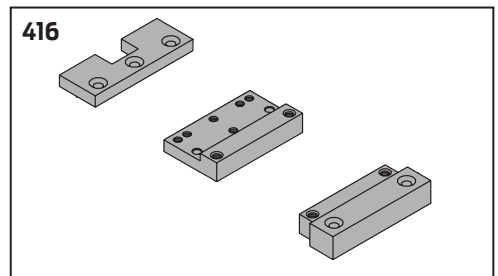
Optional, non-handed hold-open track with bumper.



## INSTALLATION ACCESSORIES

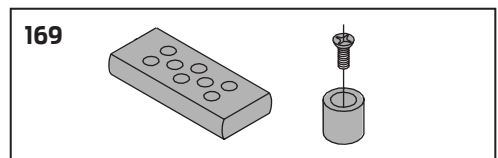
### WOOD MOUNTING CLIP SET, 6030-416

Simplifies mounting closer in wood frame. Includes latch stile clip, hinge stile clip, and cover. For use with Ives Series center pivots. Consult factory for special template.



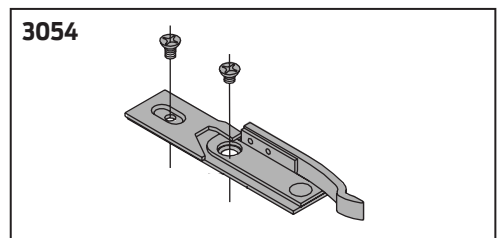
### TRACK BUMPER, 6030-169

Mounts in track to assist backcheck. Limits maximum opening.  
Consists of bumper, bumper post, and mounting screw.  
NOTE: Track bumper does not replace auxiliary stop.



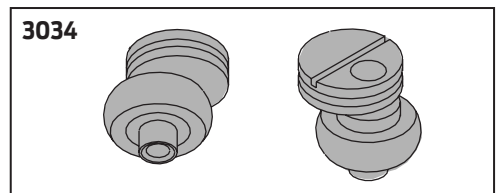
### HOLD-OPEN CLIP, 6030-3054

Mounts in track to provide hold-open function.  
Hold-open point controlled by clip location.



### TRACK ROLLER, 6030-3034

Quiet, low friction roller assembly includes eccentric with 3/4" (19 mm) adjustment to center 36" (914 mm) door.

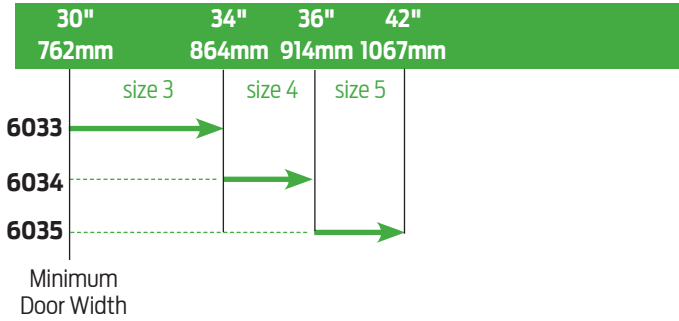


# 6030 SERIES

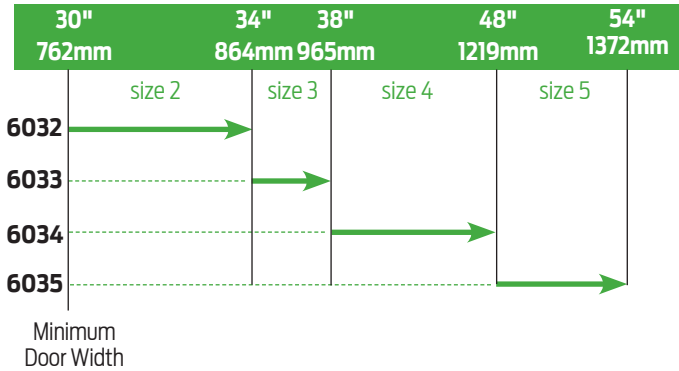
## TABLE OF SIZES

Select closer based on width of door.  
 6030 Series cylinders available in size 1, 2, 3, 4, or 5.  
 Closing power of all 6030 Series closers may be increased 35%.  
 Specify next higher size closer where strong drafts exist.

### EXTERIOR (and VESTIBULE) DOOR WIDTH



### INTERIOR DOOR WIDTH




→ Indicates recommended range of door width for closer size.

Note: Minimum door width 28" (711 mm).

## REDUCED OPENING FORCE 6030 CLOSERS

**CAUTION!** Any manual door closer, including those certified by BHMA to conform to ANSI Standard A156.4, that is selected, installed and adjusted based on ADA or other reduced opening force requirements may not provide sufficient power to reliably close and latch a door.

Refer to POWER OPERATORS section for information on systems that meet reduced opening force requirements without affecting closing power.

	DOOR WIDTH	36"	42"	48"
	8.5* lbs.	6033	6034	6035
	5.0* lbs.	6031	6032	6032

\* Maximum opening force.

## HOW-TO-ORDER 6030 SERIES CLOSERS

### 1. SELECT CYLINDER SIZE

- 6031 (ADA)
- 6032
- 6033
- 6034
- 6035

### 3. SPECIFY FINISH

- Standard Powder Coat \_\_\_\_\_  
 Aluminum, Dark Bronze, Statuary,  
 Light Bronze, Black, Brass.

#### Closer will be shipped with:

- STANDARD ARM,
- TRACK ROLLER,
- STANDARD TRACK with BUMPER,
- WOOD and MACHINE SCREW PACK,  
*unless options listed below are selected.*

## CLOSER OPTIONS

### TRACK

- Hold-open with Bumper (HBUMPER)

### FINISHES

- Custom Powder Coat (RAL) \_\_\_\_\_
- Plated Finish, US \_\_\_\_\_
- SRI primer (use with powder coat finishes only)

### SCREW PACK

- TORX Machine Screw (TORX)

### INSTALLATION ACCESSORIES

- Wood Clip Set, 6030-416

### SPECIAL TEMPLATE

- ST- \_\_\_\_\_