



DITEK Corporation  
ONE DITEK CENTER  
1720 Starkey Road  
Largo, FL 33771

# INSTALL INSTRUCTIONS

## DTK-1F31X

This Surge Protection Device (SPD) is a high performance device, designed to provide protection for sensitive electronic loads connected to service panels, fire panels, or where the SPD is directly connected to the electronic device. Maximum protection will only be achieved if the SPD is properly installed.

Please read and follow the installation instructions carefully.

**NOTICE:** This SPD should be installed by a qualified electrician in accordance with the National and Local Electrical Codes and the following instructions.

### APPLICATION

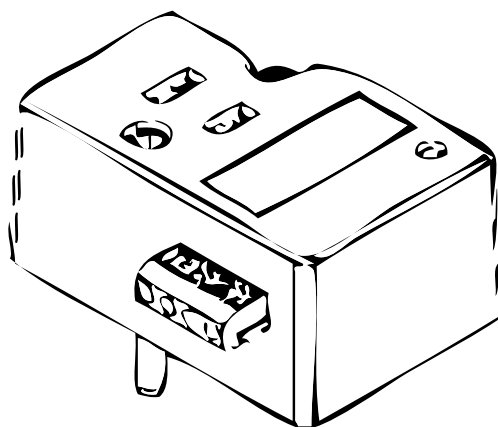
Surge suppression for indoor 120VAC and Telecommunication circuits.

### INSTRUCTIONS:

**Caution:** Measure all voltages to insure applied voltage does not exceed the voltage rating of the unit. Improper installation voids the warranty.

1. Turn the main breaker off before beginning installation.
2. Connect the telephone circuit wires prior to installing the DTK-1F31X.
3. Connect the incoming tip and ring from the RJ31X jack to the terminal block marked IN 1 and IN 2.
4. Connect the outgoing wires to the protected equipment to the terminals marked OUT 1 and OUT 2.
5. Remove the center screw from the receptacle face plate (Do not remove the face plate).
6. Securely fasten the DTK-1F31X to the receptacle using the supplied mounting screw.
7. Restore power to the circuit and make sure the LED is on indicating ground, power and active surge protection.
8. Always have one common ground per system to eliminate the possibility of differential in ground potentials.

**Ground Resistance Rule:** Max ground resistance is 25 Ohms, 5 Ohms or less is optimum. This cannot be an assumed value and must be measured to assure proper grounding.



DITEK Technical Support Available 24/7  
1-888-472-6100  
[www.ditekcorp.com](http://www.ditekcorp.com)

Doc # INT-100022-001  
Part No. 191472 Rev. 2

Drawn By: J.Ramirez 3-8-10  
Approved By: R. Mitchell 3-8-10

INSTALLATION