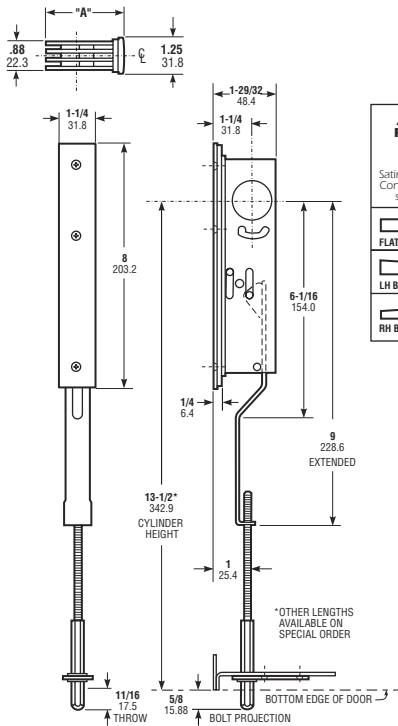


## DIMENSIONS

INCHES  
MILLIMETERS

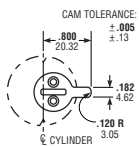
Nominal, subject to tolerance extremes.



ARMORED FACEPLATE 1-1/4" x 8"	
Finish: US28 Satin Aluminum (628) Consult factory about special finishes.	
FLAT	1870HM
LH BEVEL	1872HM(LH)
RH BEVEL	1872HM(RH)

### Cylinder Cam

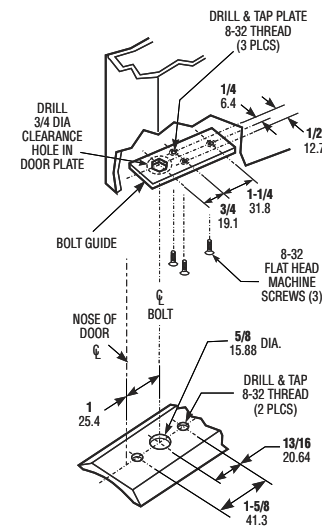
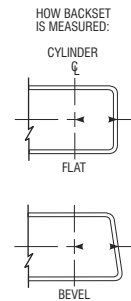
1870HM Series locks are operable by any standard 1-5/32" diameter mortise cylinder with special MS® cam dimensioned as shown. Cylinders with MS® cams can be readily obtained from most cylinder manufacturers. See page SW-28 for cylinder make and trim ring information.



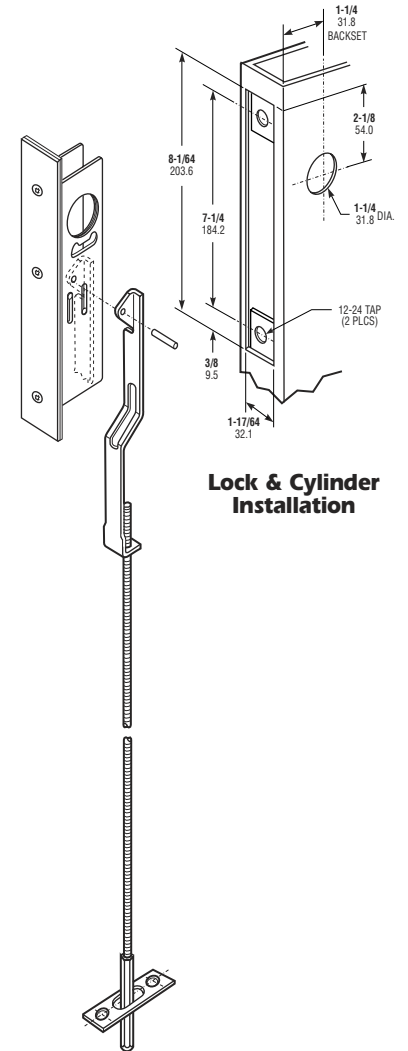
## INSTALLATION

### Door Preparation

FOR INSTALLATION LOCKING THRESHOLD  
INVERT FOR HEADER LOCKING



### Lock & Cylinder Installation



**ADAMS RITE MANUFACTURING CO.**

260 Santa Fe Street, Pomona, CA 91767  
Phone: (909) 632-2300 Fax: (909) 632-2369

**1870 HM Series Cylinder  
Operated Flushbolt**