



INSTALLATION INSTRUCTIONS/TEMPLATE 180 SERIES ELECTRIC LOCKS

1. Mark and drill as follows: Holes 1, 2 and 3 for #14 sheet metal screws or 1/4 - 20 machine screws.
 Hole 4 – 3/8" diameter for wire.
 Block strike: Holes 5 and 6 or 12 and 13 for 1/4 - 20 machine screw or #14 sheet metal screw.
2. Tap holes as required.
3. Remove housing cover and mount lock and strike.
4. Attach power leads. Check alignment of bolt and strike. There should be no binding. Leading part of strike should be 1/8" away from the lock *1/8" is maximum distance*. If this is correct, tighten mounting screws.
5. Check lock operation for any last adjustments.
6. Install housing.

SPECIFICATIONS

DIMENSIONS: 2" x 2" x 6"

FINISH: US28 standard (dark duranodic optional)

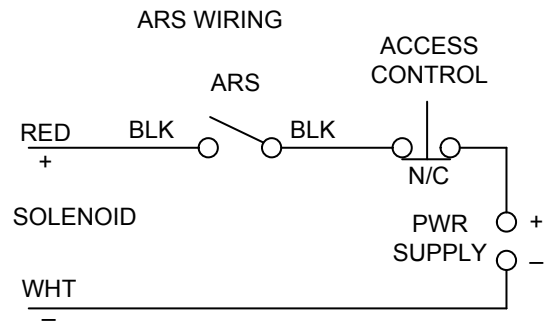
BOLT: 180 series 5/8" diameter 1/2" throw

SOLENOID: 180 series, power lock, continuous duty

180 Series Dual Voltage (Fail Safe):

10.8 Watts – 12VDC @ .9 Amp

10.8 Watts – 24VDC @ .45 Amp



BOLT POSITION SENSOR

SPDT .25 AMP

ORG – N.C.

GRY – COM

YEL – N.O.

DOOR POSITION SENSOR

SPDT .25 AMP

RED – N.C.

WHT – COM

BLU – N.O.

