

SDC SECURITY DOOR CONTROLS

3580 Willow Lane, Westlake Village, CA 91361-4921 • (805) 494-0622 • Fax: (805) 494-8861
 www.sdcsecurity.com • E-mail: service@sdsecurity.com

INSTALLATION INSTRUCTIONS 10TD TIME DELAY RELAY

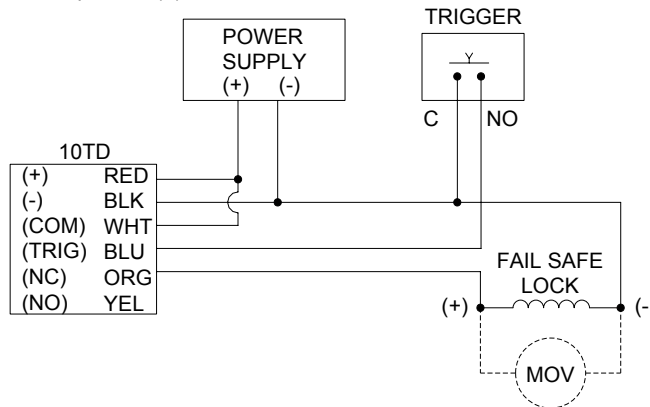
NOTE: Use properly fused power source only. All power must be off until wiring is complete.

SPECIFICATIONS:	Input Voltage:	12/24 volts AC or DC
	Power Consumption:	50mA
	Trigger Input:	N/O Dry switch closure
	Time Adjustment:	1 to 60 Seconds
	Relay Contact Ratings:	2Amp @ 30 VDC (Resistive)

Determine the type of lock (Fail Safe or Fail Secure) you will control.

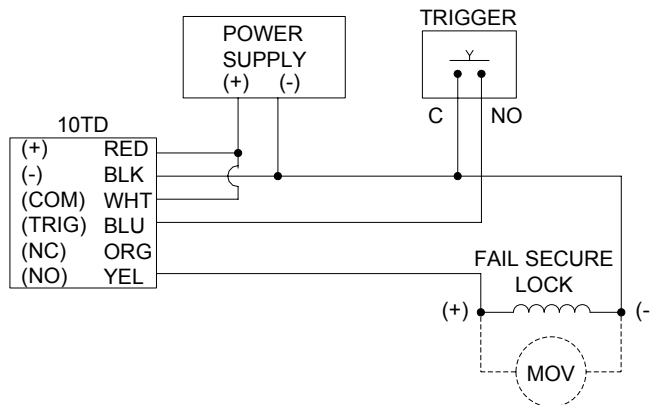
FAIL-SAFE LOCKS

1. Connect the negative (-) lead of the lock to the negative (-) side of the power supply.
2. Connect the BLACK (-) lead of the timer to the negative (-) side of the power supply.
3. Connect the RED (+) lead of the timer to the positive (+) side of the power supply.
4. Connect the WHITE (+) lead of the timer to the positive (+) side of the power supply.
5. Connect the positive (+) lead of the lock to the ORANGE lead of the timer.



FAIL-SECURE LOCKS

1. Connect the negative (-) lead of the lock to the negative (-) side of the power supply.
2. Connect the BLACK (-) lead of the timer to the negative (-) side of the power supply.
3. Connect the RED (+) lead of the timer to the positive (+) side of the power supply.
4. Connect the WHITE (+) lead of the timer to the positive (+) side of the power supply.
5. Connect the positive (+) lead of the lock to the YELLOW lead of the timer.



Connect the common side of your trigger device (Keyswitch, Access Control, Pushswitch, etc.) to the negative side of the power supply. Connect the normally open (N/O) side of the trigger device to the BLUE wire of the timer. Turn on power. Adjust Delay time through access hole on top of module.

NOTE: When powering with AC, the polarity of the power supply connections is not important. An MOV may be required when powering an electric strike or a non-SDC lock.

Any suggestions or comments to this instruction or product are welcome. Please contact us through our website or email engineer@sdsecurity.com

SDC SECURITY DOOR CONTROLS

801 Avenida Acaso, Camarillo, Ca. 93012 • (805) 494-0622 • Fax: (805) 494-8861
www.sdcsecurity.com • E-mail: service@sdsecurity.com

INSTALLATION INSTRUCTIONS 14-2 SEVEN DAY PROGRAMMABLE TIMER

Setting the Day of the Week and the Time

To set the day of the week:

1. Press the **CLOCK** key and the **DAY** key. The day of the week will change.
2. Release both keys when the correct day is shown. The day of the week will be set.

To set the hour of the day:

1. Press the **CLOCK** key and the **HOUR** key. The hour digits and AM/PM will change.
2. Holding the **CLOCK** and **HOUR** keys for more than 3 seconds, will cause the digits to change faster.
3. Release both keys when the hour and AM/PM indicators are correct. The hour will be set.

To set the minute digits:

1. Press the **Clock** key and the **MIN** key. The minute digits will change.
2. Holding the **CLOCK** and the **MIN** keys for more than 3 seconds will cause the digits to change faster.
3. Release both keys when the correct minute digits are shown. The minutes will be set.

NOTICE: Setting the hour and minute digits will reset the seconds digits to zero.

Setting the programs ON/OFF times:

1. Press the **TIMER** key to enter into the Program mode.
2. The "1" and the "ON" indicators mean that the "ON" time for program #1 can be set.
3. Press the **DAY** key to select the day(s) of the week.
Individual Days: MO; TU; WE; TH; FR; SA; or SU
Week Days Only: MO + TU + WE + TH + FR
Weekends Only: SA + SU
Every Day: MO through SU
4. Press the **HOUR** key to set the "ON" time hour of the day including AM/PM.
5. Press the **MIN** key to set the "ON" time minutes of the hour.
6. After setting the Program #1 "ON" time and day. Press the **TIMER** key to set the Program #1 "OFF" time and day. The "1" and the "OFF" indicators mean that the "OFF" time for Program #1 can be set.
7. Repeat steps 3 to 5 for Program #1 "OFF" setting. (Time and Day)
8. After setting Program #1 "ON" and "OFF" times, repeat steps 1 to 7 to set the "ON" and "OFF" times for Programs #2 through #6.
9. Press the **CLOCK** key to return to the present time and day of the week display.

Resetting the 14-2 timer.

To Reset the Timer unit, press the small **RESET** button.

Warning: Reset will clear all previous time and program settings.

Selecting the Automatic or Manual Mode of Operation.

Pressing the **MANUAL** key will move the selector bar to either the **ON**, **AUTO** or **OFF** position. Manually turning on the 14-2 timer will not change the programmed settings for program #1 to #6.

1. with the selector bar in the **AUTO** position, the output contacts will turn on and off according to the programmed settings (Programs #1 to #6).
2. Moving the selector bar from **AUTO** to **ON** will manually turn on the output contacts. The Normally Open (N/O) contacts #3 and #5 will close and the Normally Closed (N/C) #3 and #4 will open and the LED indicator will turn on.
3. Moving the selector bar from **AUTO** to **OFF** will manually turn off the output contacts.

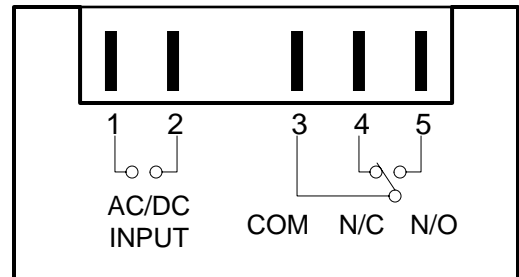
Electrical Ratings for the 14-2 Timer:

Timer Input Voltage: 14-2-12: 12VAC/12VDC ; 50mA Max. (Pins #1 and #2)
14-2-24: 24VAC/24VDC; 50mA Max. (Pins #1 and #2)

Output Contact Rating: SPDT; 16Amps (Resistive load) @ 30 volts AC, DC

Common (Com) – Pin #3
Normally Closed (N/C) - Pin #4
Normally Open (N/O) - Pin #5

Wiring diagram also on back of 14-2 Timer unit.



Any suggestions or comments to this instruction or product are welcome. Please contact us through our website or email engineer@sdsecurity.com

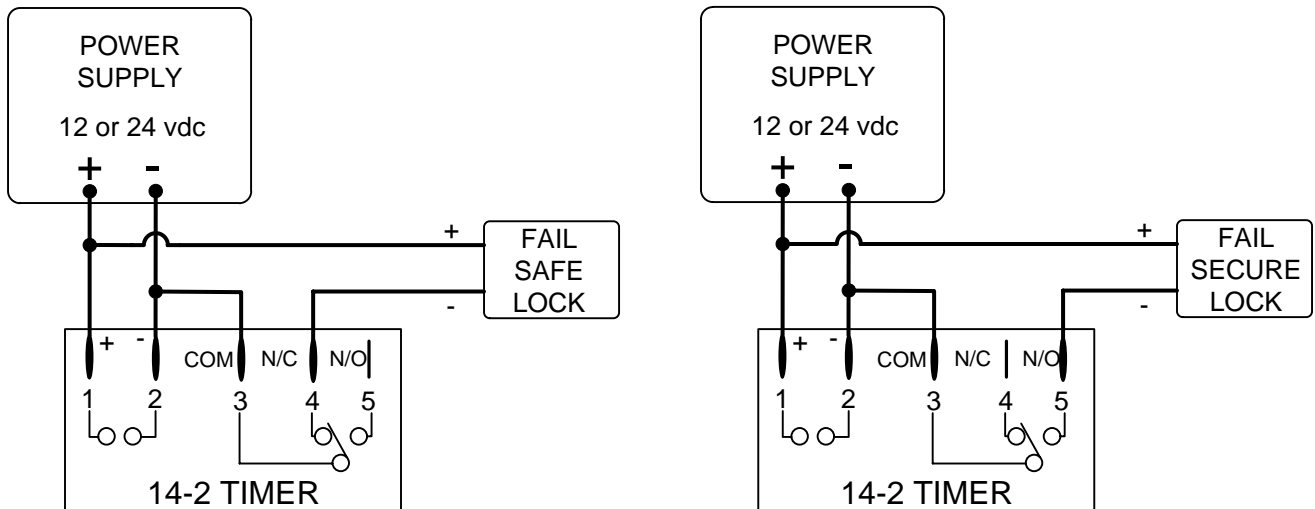
Features


- LCD Display
- LED Power Indicator
- High Current SPDT Relay Output
- 24 Hour Format
- 12 Programmable Time Periods (Single Days, Mon-Fri, Weekly, Weekends)
- 12 Programmable Actions (6-ON, 6-OFF) per Time Period
- Manual Button for ON/OFF Override

Specifications

- Power Supply: 12/24 VDC/VAC
- Contact Rating: 16 Amps (resistive load) @ 30 volts AC/DC
- Program Resolution: 1 Minute
- Timing Resolution: 1 Minute

Wiring Diagram



1. Connect lock per the above wiring diagrams.
2. Press the  button to reset unit before programming.
3. Replace backup battery with type CR2032 only.