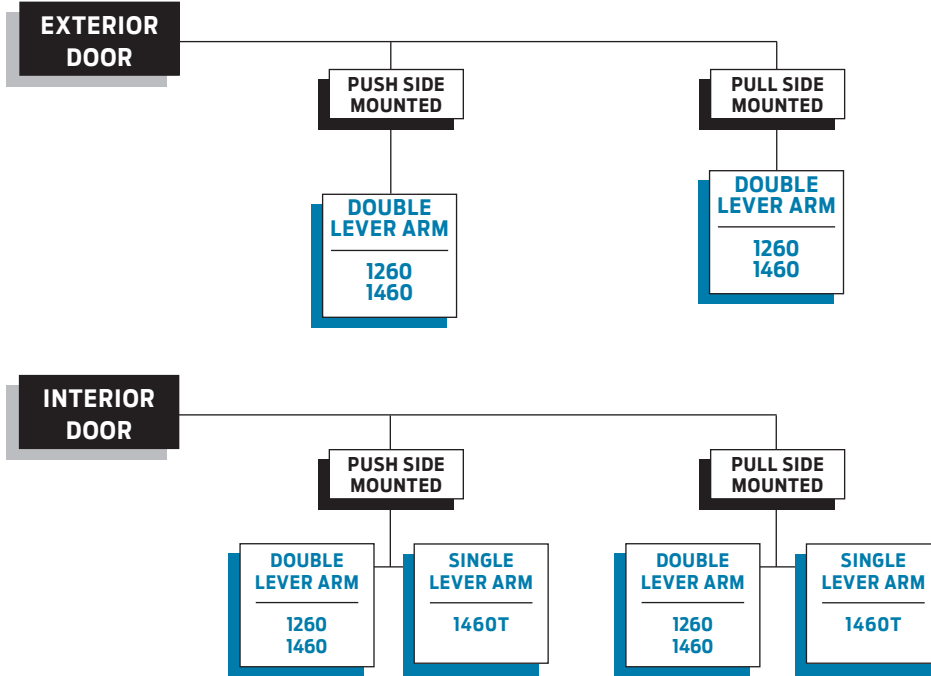


# 1000 SERIES SURFACE MOUNTED CLOSERS

## PRODUCT SELECTION GUIDE

Surface mounted 1000 Series LCN closers feature a modern slim line design for easy installation on narrow head frames and top rails. This guide is based on the desired mounting of the closer. NOTE: For parallel mounts order "P" version to also receive PA Shoe.



## PRODUCT COMPARISON

This chart shows a basic comparison of LCN 1000 Series closers. Refer to the specific closer chapter for complete details.

	MOUNTING					FINISH		COVER		CYLINDER			*ARM FUNCTION								
	HINGE (PULL SIDE)	TOP JAMB (PULL)	TOP JAMB (PUSH)	PARALLEL ARM	STOP FACE	POWDER COAT	PLATED	PLASTIC	METAL	DESIGNER SERIES	NON-HANDED	NON-SIZED	ACCESSIBILITY	DELAYED ACTION	REGULAR (DOUBLE)	STANDARD (SINGLE)	HEAVY DUTY	HOLD-OPEN	EDA/HEDA	CUSH/HCUSH	SCUSH/SHCUSH
1260	●	○	●	●	○	●	○	●	○	○	●	●	○	○	180°	○	○	180°	120°	110°	110°
1460	●	○	●	●	○	●	○	●	○	○	●	●	○	○	180°	○	180°	180°	110°	100°	100°
1460T	●	●	○	○	●	●	○	●	○	○	●	●	○	○	○	180°	○	115°	○	○	○

- AVAILABLE
- NOT AVAILABLE

♿ Closer available with less than 5.0 lbs. opening force on 36" door.

\* Maximum opening/hold-open point with standard template. See individual closer series for degrees of opening per installation.

D = For designer series only.

# 1000 SERIES SURFACE MOUNTED CLOSERS

## APPLICATIONS

- For aluminum, hollow metal, or wood swinging doors and frames.
- Can be used with hinge or pivot mounted door.
- Mounts on 1-3/4" transom without adapter plates.
- Adapter plates and other installation accessories available for unusual conditions.

## FEATURES COMMON TO 1000 SERIES

- 1000 series closers mount three ways. Closers with regular or hold-open arm mount hinge side or top jamb. Parallel arm, closers include - 62PA SHOE required for parallel arm mount. 1460T mounts hinge side, top jamb (pull side) and stop face.
- Non-handed for right and left swinging doors.
- Closers to meet ADA reduced opening force requirements.
- Adjustable hydraulic backcheck cushions opening swing prior to 90°.
- Separate regulation of general closing speed and latching speed.
- Joints in arm and shoe adapt to uneven trim.
- Reversible shoe to boost latching power on double lever arms.

## DESIGN ASSISTANCE

LCN has been providing reliable solutions to unique door control problems for over 85 years. Design and specification assistance are only a phone call away.

Contact LCN for assistance or technical information at **877-671-7011** or FAX **800-248-1460 (Order Entry)**, Fax **815-879-1495** for Product Support.

## WARRANTY

10 year limited warranty. See General Information Section for complete warranty details.

## SPECIFICATIONS

Refer to "SPECIFICATIONS" section for suggested architectural specifications.

## MATERIALS

- High strength **cast iron** cylinder.
- **Forged steel** main arm for all EDA, Cush, 1460HD and 1460T Arms.
- One piece **forged steel** piston.
- Heat treated pinion.
- **All weather fluid** eliminates seasonal adjustments.
- **High efficiency, full complement**, low friction bearings.
- Tamper resistant regulating screws.
- Full rack and pinion hydraulic action.
- Quiet, low friction track and roller combination for all single lever arm closers.

## FINISHES

- Available in six standard or a wide selection of optional custom powder coat finishes to blend with door and frame.
- LCN's powder coat finish surpasses 100 hours of salt spray which is over four times the ANSI standard for corrosion resistance.

- For installations where a higher level of corrosion resistance is required, LCN offers an optional special rust inhibiting (SRI) pre-treatment. Closers that combine the exclusive LCN powder coat finish and the SRI pre-treatment exceed the ANSI standard for corrosion resistance even further.
- Plated finishes are available as an option to accent door and frame for the 1460 Series closers.

## LISTINGS & APPROVALS

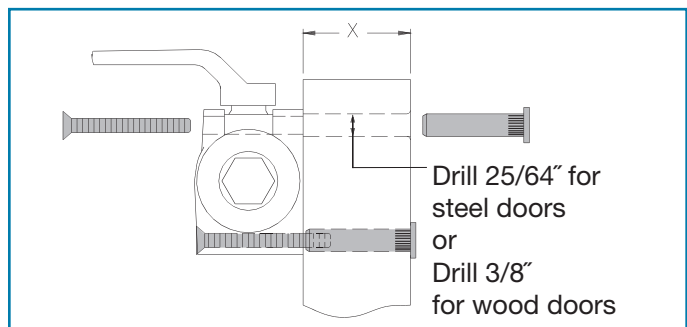
UL listed for self-closing doors without hold-open under "SWINGING DOOR CLOSERS" (GVEV) file R 1943. Tested and certified under ANSI Standard A156.4 grade one. Consult factory for details. Consult factory for other listings such as; cUL, California State Fire Marshal, Bureau of Standards and Appeals.

## POSITIVE PRESSURE

LCN closers have been certified for three hours by UL to be in compliance with UBC 7-2 (1997) and UL 10 C. Contact LCN for specific details on door closer fire ratings.

## FASTENERS

1260, 1460, 1460T series closers are shipped with: A standard SELF-REAMING and TAPPING SCREW (SRT) pack that contains Philips head SRT screws to install the closer. Standard LCN thru bolts (TB) can be installed on 1-3/4" (44 mm) thick doors with 1/4-20 machine screws. Optional thru bolt (TB) sizes are available for 1-5/8" (41 mm) or 1-3/8" (35 mm) door thickness, but this must be specified when ordering.



Note 1: For Thru Bolts, specify door thickness if other than 1-3/4" (44 mm). Represented in diagram as dimension "X".

Note 2: Phillips head, metric machine screws are available, please specify.

Note 3: LCN recommends the use of wood screws in wood door applications.

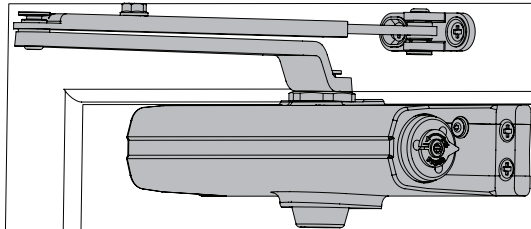
## MAINTENANCE

Closers mounted according to LCN installation instructions require no periodic maintenance or adjustments.

# 1260 SERIES

## FEATURES

**CLOSER MOUNTS**  
**\*HINGE (PULL) SIDE**  
**TOP JAMB (PUSH SIDE)**  
**PARALLEL ARM (PUSH SIDE)**



*\*HINGE (pull) side mount shown*

The 1260 is a light to medium duty cast iron closer designed to fit into the most common commercial foot print. The 1260 is adjustable for spring sizes 1-5. The 1260 also features a complete line of regular and extra duty arms, LCN's peel-n-stick installation templates, a convenient spring adjust pointer, and an optional Quick Fix™ bracket kit.

- Cast Iron
- All weather fluid
- Non-handed
- Peel-n-stick templates for fast and accurate installation
- UL and cUL listed

- Standard 1260 Series closer shipped with regular arm, a shaft cover, and self reaming and tapping screws. See 1260 Series Pages 8-9 for options.
- Non-sized (1-5) cylinder is adjustable for interior doors to 4'6" and exterior doors to 3'6".
- Closer mounts hinge side, top jamb and parallel arm on either right or left swinging doors.
- Mounts to most common commercial footprint (3/4" x 9-1/16").
- Closer meets ADA requirements. See 1260 Series page 10.
- Optional Quick Fix™ bracket kit.
- Standard or optional custom powder coat finish.
- Optional SRI primer for installations in corrosive conditions. (Available with powder coat finishes only).
- Optional Slim Line cover.
- Tested and certified under ANSI Standard A156.4, grade one.

MOUNTING					FINISH		COVER		CYLINDER			*ARM FUNCTION									
HINGE (PULL) SIDE	TOP JAMB (PULL)	TOP JAMB (PUSH)	PARALLEL ARM	STOP FACE	POWDER COAT	PLATED	PLASTIC	METAL	DESIGNER SERIES	NON-HANDED	NON-SIZED	ACCESSIBILITY	DELAYED ACTION	REGULAR (DOUBLE)	STANDARD (SINGLE)	HEAVY DUTY	HOLD-OPEN	EDA/HEDA	CUSH/HCUSH	SCUSH/SHCUSH	
●	●	○	●	○	●	○	●	○	○	●	○	○	○	○	○	○	○	○	○	○	○

● AVAILABLE  
 ○ NOT AVAILABLE

♿ Closer available with less than 5.0 lbs. opening force on 36" door.  
 \* Maximum opening/hold-open point with standard template.

# 1260 SERIES

## HINGE (PULL) SIDE MOUNTING

### MAXIMUM OPENING

To 100°

Ⓐ = 6-9/16" (167 mm)

Ⓑ = 12-7/16" (316 mm)

or 101° to 120°

Ⓐ = 5-9/16" (141 mm)

Ⓑ = 11-7/16" (291 mm)

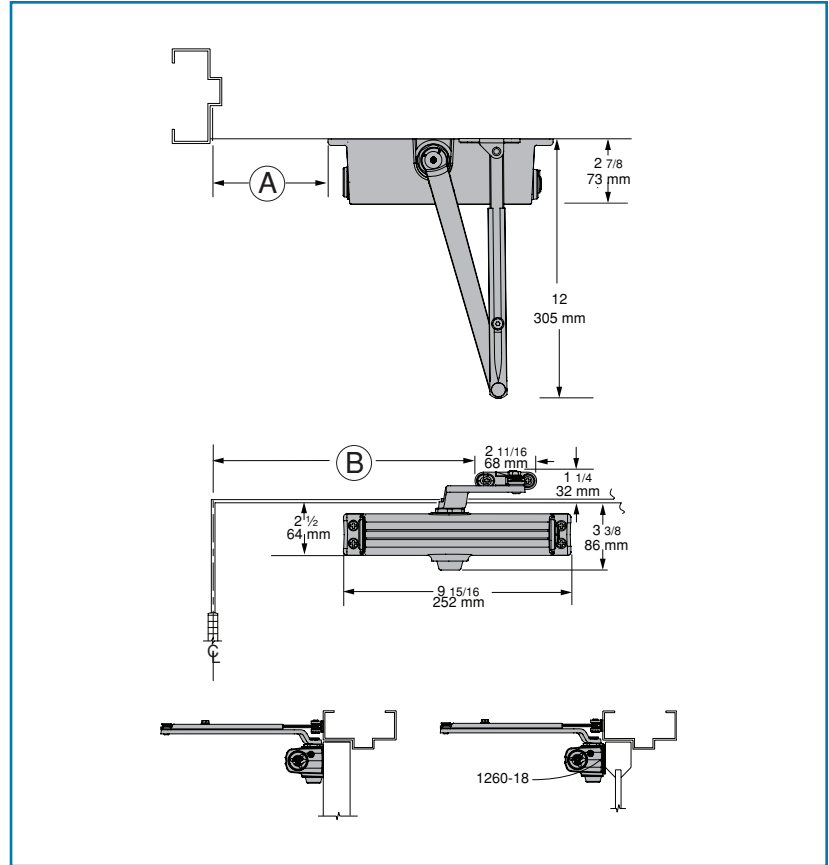
or \*121° to 180°

Ⓐ = 3-1/16" (78 mm)

Ⓑ = 8-15/16" (227 mm)

Hold-open points up to maximum opening with hold-open arm.

\*Frame and trim permitting.



- **Butt Hinges** should not exceed 5" (127 mm) in width.
- **Auxiliary Stop** is recommended at hold-open point or where a door cannot swing 180°.
- **Reveal** should not exceed 3/4" (19 mm) for regular arm or 1/2" (13 mm) for hold-open arm.
- **Top Rail** less than 2-1/2" (64 mm) requires PLATE, 1260-18.
- **Clearance** of 2-7/8" (73 mm) behind door required for installation.

### Options

- Hold-open arm.
- Slim Line cover (SLIM).

### Special Templates

Customized installation templates or products may be available to solve unusual applications. Contact LCN Product Support for assistance.

# 1260 SERIES

## TOP JAMB (PUSH SIDE) MOUNTING

### MAXIMUM OPENING

To 100°

Ⓐ = 7-1/16" (179 mm)

Ⓑ = 12-15/16" (329 mm)

or 101° to 120°

Ⓐ = 5-9/16" (141 mm)

Ⓑ = 11-7/16" (291 mm)

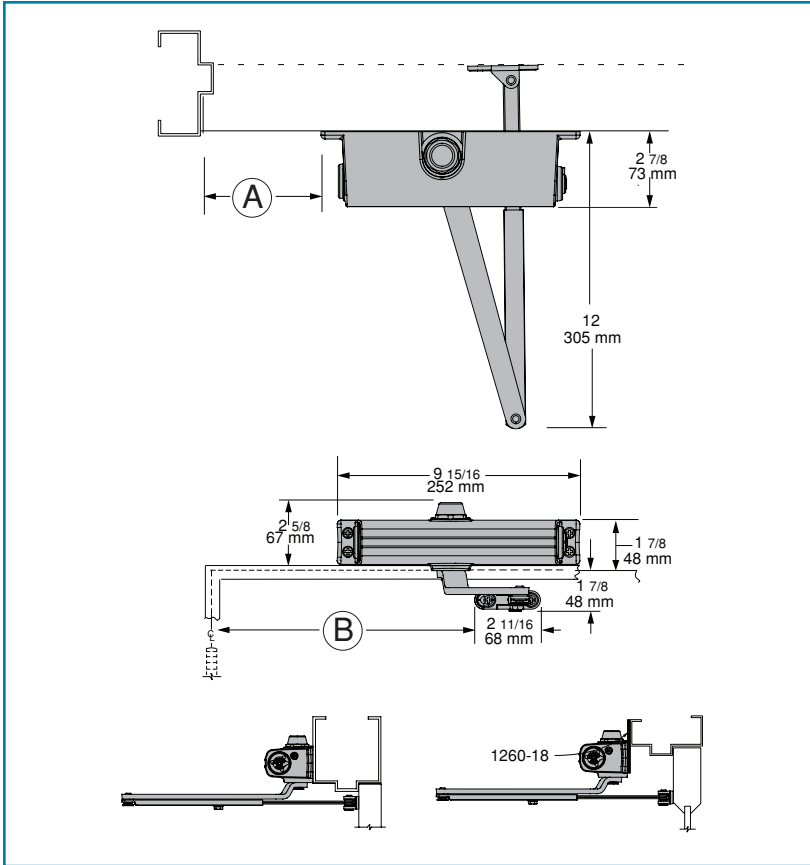
or \*121° to 180°

Ⓐ = 3-1/16" (78 mm)

Ⓑ = 8-15/16" (227 mm)

Hold-open points up to maximum opening with hold-open arm.

*\*Frame and trim permitting.*



- **Butt Hinges** should not exceed 5" (127 mm) in width.
- **Auxiliary Stop** is recommended at hold-open point or where a door cannot swing 180°.
- **Reveal**

Arm Type	Maximum Reveal	Opening
Regular Arm	3-1/2"	Up to 120°
Regular Arm	2-1/4"	121° to 180°
Long Arm	7-1/2"	Up to 120°
Long Arm	3-1/2"	121° to 180°
Hold-Open Arm	2"	Up to 120°
Hold-Open Arm	2-1/4"	121° to 180°
Long Hold-Open Arm	4-1/2"	Up to 120°
Long Hold-Open Arm	4-1/2"	121° to 160°

- **Top Rail** requires 1-3/4" (44 mm) minimum. 2-1/2" (64 mm) minimum with closer on PLATE, 1260-18.
- **Head Frame** less than 1-3/4" (44 mm) requires PLATE, 1260-18. For flush ceiling condition with 2" (51 mm) headframe, use PLATE, 1260-18. (Plate requires 1-3/8" (35 mm) minimum.)

### Options

- Long arm, hold-open arm.
- Long hold-open arm.  
Slim Line cover (SLIM).

### Special Templates

Customized installation templates or products may be available to solve unusual applications. Contact LCN Product Support for assistance.

# 1260 SERIES

## PARALLEL ARM (PUSH SIDE) MOUNTING

Optional mounting requires PA SHOE, 1260-62PA for REGULAR or HOLD-OPEN arms. 1260 Parallel arm closer includes 1260-201 FIFTH HOLE SPACER to support PA SHOE.

## MAXIMUM OPENING

Regular or hold-open arm can be templated to 100°

Ⓐ = 7-3/16" (183 mm)

Ⓑ = 8-5/8" (219 mm)

or 101° to 130°

Ⓐ = 5-11/16" (144 mm)

Ⓑ = 7-1/8" (181 mm)

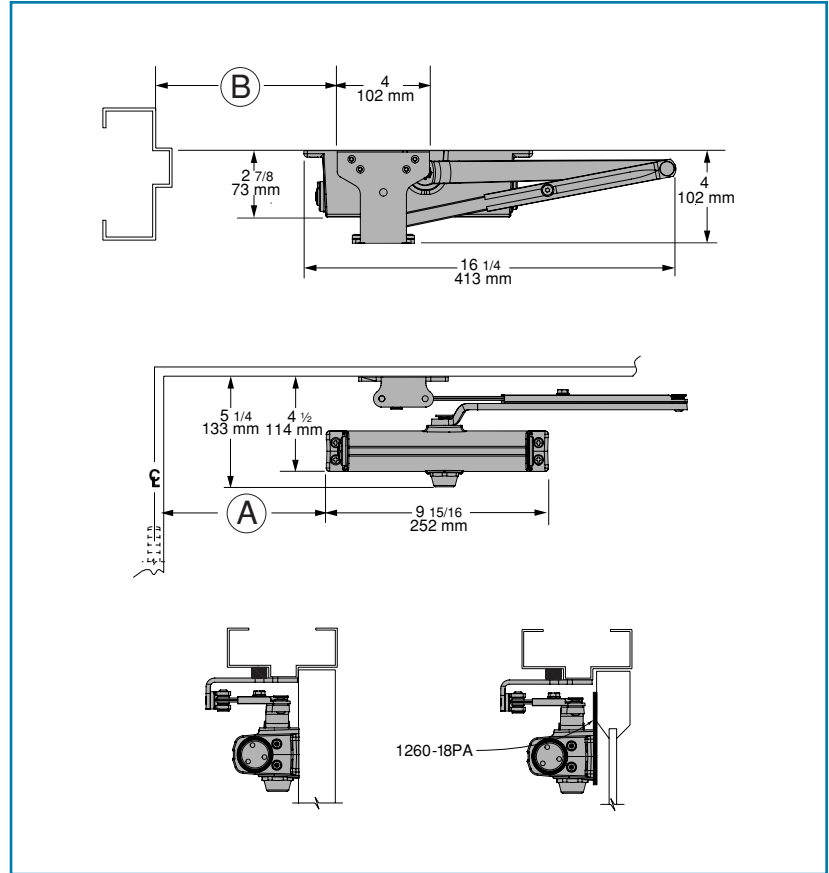
or \*131° to 180°

Ⓐ = 3-11/16" (94 mm)

Ⓑ = 5-1/8" (130 mm)

Hold-open points up to maximum opening with hold-open arm.

*\*Frame and trim permitting.*



## 1260 REGULAR OR HOLD-OPEN MOUNT

- **Butt Hinges** should not exceed 5" (127 mm) in width.
- **Auxiliary Stop** is recommended at hold-open point, where a door cannot swing 180°, or where CUSH-N-STOP arm is not used.
- **Clearance** for 1260-62PA shoe is 4" (102 mm) from door face.
- **Top Rail** less than 4-3/8" (111 mm) measured from the stop requires PLATE, 1260-18PA.
- **Stop Width** minimum 1" (25 mm).
- **Blade Stop** clearance, requires 1/2" (13 mm) BLADE STOP SPACER, 1260-61.
- **Auxiliary Shoe**, 1260-62A allows installation of regular arm with overhead holder/stop. Special templating required.

### Options

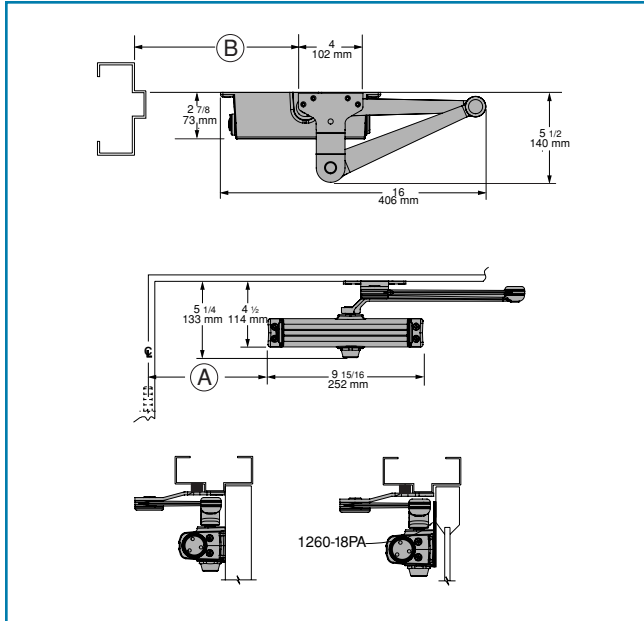
- Slim Line cover (SLIM).
- Hold-open PA, HEDA, EDA, CUSH, HCUSH arm.

### Special Templates

Customized installation templates or products may be available to solve unusual applications. Contact LCN Product Support for assistance.

# 1260 SERIES

## 1260 EDA MOUNT



## 1260 EDA OR CUSH-N-STOP MOUNTING

1260 closers ordered with EDA, CUSH or SPRING CUSH arms include 1260-201 FIFTH HOLE SPACER to support the shoe.

### MAXIMUM OPENING

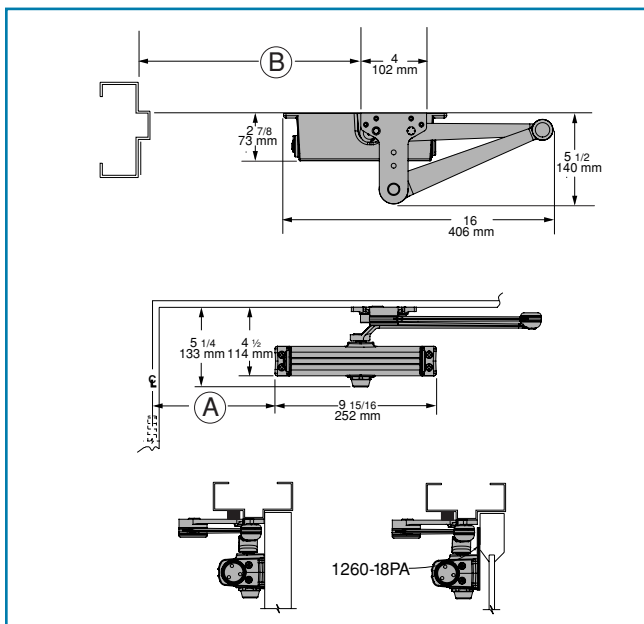
EDA template allows 120°. Hold-open point up to maximum opening.

- 90°,  
 (A) = 4-13/16" (122 mm)  
 (B) = 9-1/2" (241 mm)  
 or 120°,  
 (A) = 3-5/16" (84 mm)  
 (B) = 8" (203 mm)

CUSH arms can be templated for maximum opening/hold-open point at 85°.

- (A) = 5-5/16" (135 mm)  
 (B) = 10" (254 mm)  
 90°,  
 (A) = 4-11/16" (119 mm)  
 (B) = 9-3/8" (238 mm)  
 100°,  
 (A) = 3-9/16" (90 mm)  
 (B) = 8-1/4" (210 mm)  
 or 110°,  
 (A) = 2-13/16" (71 mm)  
 (B) = 7-1/2" (191 mm)

## 1260 CUSH MOUNT



- **Clearance** for 1260-62EDA or CUSH shoe is 5-1/2" (140 mm) from door face.
- **Head Frame** flush or rabbeted requires CUSH FLUSH PANEL ADAPTER, 1260-419.
- **EDA or CUSH ARM** requires SHOE SUPPORT, 1260-30 for fifth screw anchorage where reveal is less than 3-1/16" (78 mm).

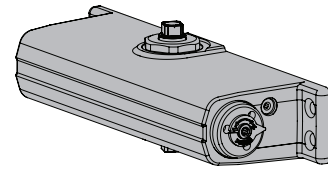
# 1260 SERIES

## CYLINDERS

### CYLINDER, 1261-3071

Standard, non-handed cast iron cylinder assembly.

3071



## ARMS

### REGULAR ARM, 1260-3077

Non-handed arm mounts hinge side or top jamb. Parallel Arm includes PA SHOE, 1260-62PA required for parallel arm mounting.

### PA SHOE, 1260-62PA

Required for parallel arm mounting.

### LONG ARM, 1260-3077L

Optional, non-handed arm includes LONG ROD AND SHOE, 1260-79LR for top jamb mount with deep reveals.

### HOLD-OPEN ARM, 1260-3049

Optional, non-handed arm mounts hinge side, top jamb or parallel arm (62PA required). Hold-open adjustable at shoe.

### LONG HOLD-OPEN ARM, 1260-3049L

Optional non-handed arm includes LONG HEAD AND TUBE, 1260-3048L for top jamb mount with deep reveals.

### EXTRA DUTY ARM, 1260-3077EDA, 1260-3077EDA/G,

Optional, non-handed parallel arm features solid forged steel main and forearm for potentially abusive installations. Optional 1260-3077EDA/G for blade stop clearance.

### HEDA ARM, 1260-3049EDA

Optional handed arm, provides hold-open function adjustable at shoe.

### CUSH-N-STOP® ARM, 1260-3077CNS

Optional, non-handed parallel arm features solid forged steel main arm and forearm with stop in soffit shoe.

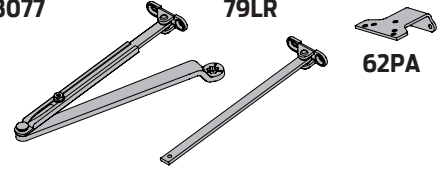
### HCUSH ARM, 1260-3049CNS

Optional non-handed arm, provides hold-open function with templated stop/hold-open points. Handle controls hold-open function.

3077

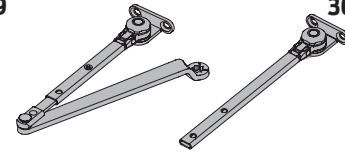
79LR

62PA



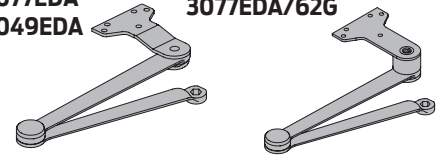
3049

3048L

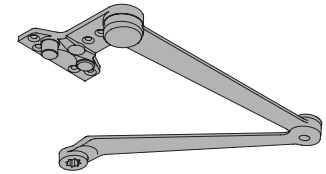


3077EDA  
3049EDA

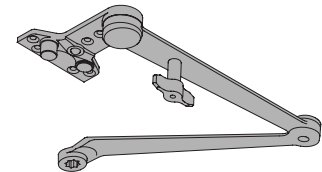
3077EDA/62G



3077CNS



3049CNS





# 1260 SERIES

## ACCESSORIES

### COVER

#### COVER, 1260-72

Optional, non-handed, slim line plastic cover.

### INSTALLATION ACCESSORIES

#### PLATE, 1260-18

Required for hinge side mount where top rail is less than 2-1/2" (64 mm).

Required for top jamb mounting where head frame is less than 1-3/4" (44 mm) or flush ceiling condition exists.

Plate requires minimum 1-1/2" (38 mm) minimum top rail or 1-1/4" (32 mm) head frame.

#### PLATE, 1260-18PA

Required for parallel arm mounting where top rail is less than 4-3/8" (111 mm), measured from the stop.

Plate requires 1-3/4" (44 mm) minimum top rail.

#### QUICK FIX™ BRACKET KIT, 1260-18QF

Optional kit includes retro-fit mounting plates for closer cylinder and shoe. Useful in applications when previously drilled holes are damaged.

#### CUSH SHOE SUPPORT, 1260-30

Provide anchorage for fifth screw used with CUSH arms where reveal is less than 3-1/16" (78 mm).

#### BLADE STOP SPACER, 1260-61

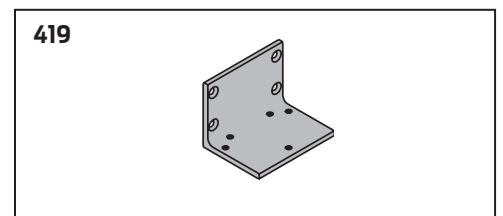
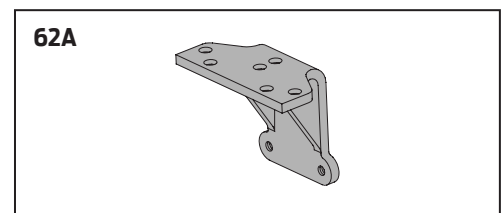
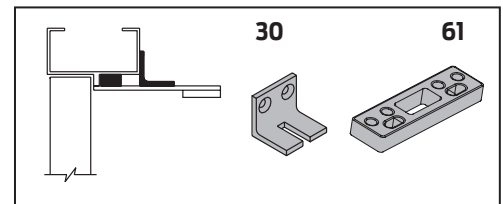
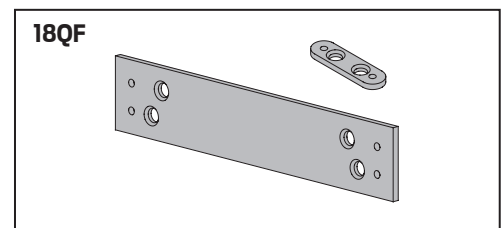
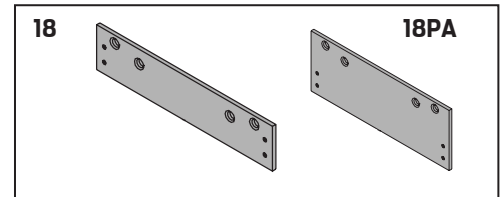
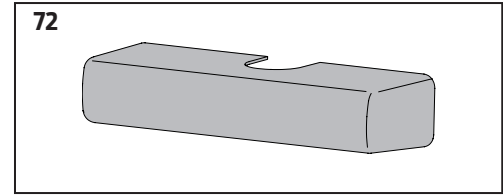
Lowers parallel arm shoe to clear 1/2" (13 mm) blade stop.

#### AUXILIARY SHOE, 1260-62A

Requires a top rail of 7" (178 mm). Optional shoe replaces -62PA for parallel arm mounting of regular arm with overhead holder/stop.

#### PA FLUSH PANEL ADAPTER, 1260-419

Provides horizontal mounting surface for PA, EDA or CUSH shoe on single rabbeted or flush frame.

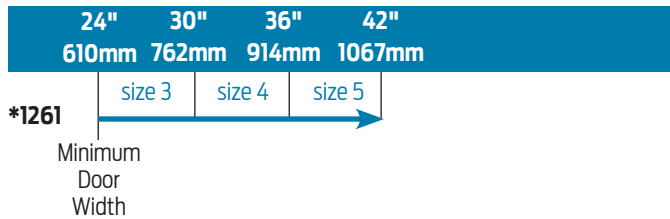


# 1260 SERIES

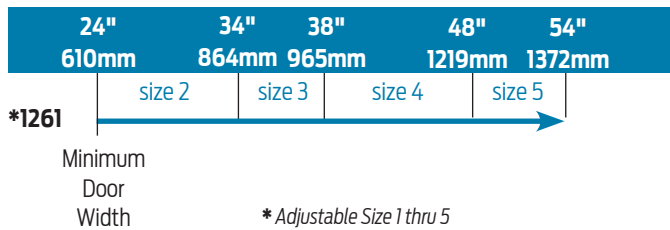
## TABLE OF SIZES

Select closer based on width of door.  
The spring power of a 1261 cylinder is field adjustable from size 1 through size 5 and is shipped adjusted to size 3.

### EXTERIOR (and VESTIBULE) DOOR WIDTH



### INTERIOR DOOR WIDTH




→ Indicates recommended range of door width for closer size.

## REDUCED OPENING FORCE 1260 CLOSERS

**CAUTION!** Any manual door closer, including those certified by BHMA to conform to ANSI Standard A156.4, that is selected, installed and adjusted based on ADA or other reduced opening force requirements may not provide sufficient power to reliably close and latch a door.

Refer to POWER OPERATORS section for information on systems that meet reduced opening force requirements without affecting closing power.

	DOOR WIDTH	36"	42"	48"
	8.5* lbs.	1261	1261	1261
	5.0* lbs.	1261	1261	1261

\* Maximum opening force.

## HOW-TO-ORDER 1260 SERIES CLOSERS

### 1. SELECT FINISH

- Standard Powder Coat \_\_\_\_\_  
Aluminum, Dark Bronze, Statuary,  
Light Bronze, Black, Brass.

#### Closer will be shipped with:

- STANDARD CYLINDER,
- REGULAR ARM,
- SELF-REAMING and TAPPING SCREWS,  
*unless options listed below are selected.*

## CLOSER OPTIONS

### COVER

- Slim line cover (SLIM)

### FINISH

- Custom Powder Coat (RAL) \_\_\_\_\_
- SRI primer (for use with powder coat finishes only)

### ARM

- Regular w/62PA (Rw/PA)
- Long (LONG)
- Regular w/62A (R/62A)
- Hold-Open (H)
- Hold-Open w/62PA (Hw/PA)
- Long Hold-Open (HLONG)
- EDA (optional -62G)
- HEDA (specify right or left hand),  
(optional -62G)
- Cush-N-Stop (CUSH)
- HCush (HCUSH)

### OPTIONAL SCREW PACKS

- TB\* w/Self-Reaming and Tapping Screws (TBSRT)
- Wood & Machine Screw (WMS)
- TB\*, Wood & Machine Screw (TBWMS)
- TORX Machine Screw (TORX)
- TB\* & TORX Machine Screw (TBTORX)  
\* Specify door thickness if other than 1-3/4".

### SPECIAL TEMPLATE

- ST- \_\_\_\_\_

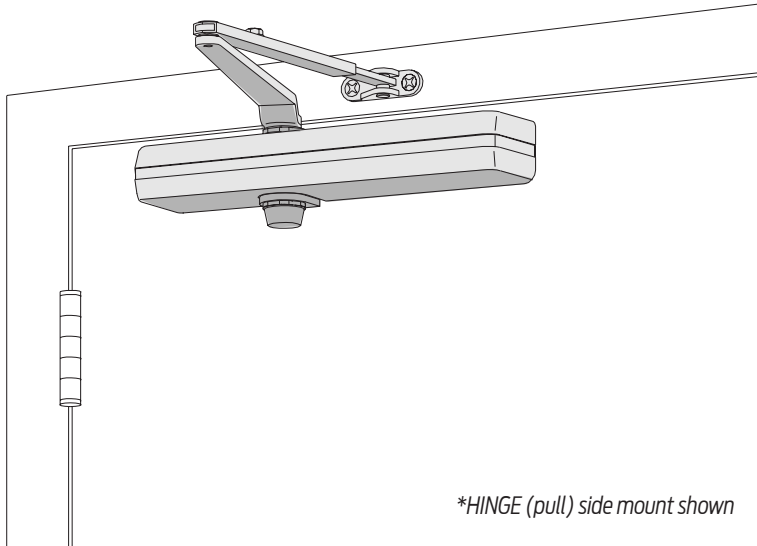
### INSTALLATION ACCESSORIES

- Plate, 1260-18
- Plate, 1260-18PA
- CUSH Shoe Support, 1260-30
- Blade Stop Spacer, 1260-61
- Auxiliary Shoe, 1260-62A
- PA Flush Panel Adapter, 1260-419
- Quick Fix™ Bracket Kit, 1260-18QF

# 1460 SERIES

## FEATURES

**CLOSER MOUNTS**  
**\*HINGE (PULL) SIDE**  
**TOP JAMB (PUSH SIDE)**  
**PARALLEL ARM (PUSH SIDE)**



Designed for maximum versatility, the 1460, available with multiple cover options, can be used for both commercial and institutional applications. This fully universal closer offers a wide variety of options and fast and accurate installation.

- Cast Iron
- All weather fluid
- Non-handed
- Peel-n-stick templates for fast and accurate installation
- UL and cUL listed

- Standard 1460 series closer shipped with regular arm, a slim line plastic cover, and self reaming and tapping screws. See 1460 Series Pages 16 & 17 for options.
- Multiple cover options include; Standard (Slim line), Full and Designer Series.
- Non-sized (1-6) cylinder is adjustable for interior doors to 5'0" and exterior doors to 4'0".
- Closer mounts hinge side, top jamb and parallel arm on either right or left swinging doors.
- Closer meets ADA requirements. See 1460 Series page 18.
- Standard or optional custom powder coat finish.
- Optional plated finish on Designer Series metal cover, arm and fasteners. (Available with powder coat finishes only.)
- Optional SRI primer for installations in corrosive conditions.
- Tested and certified under ANSI Standard A156.4, grade one.

MOUNTING					FINISH		COVER		CYLINDER			*ARM FUNCTION								
HINGE (PULL) SIDE	TOP JAMB (PULL)	TOP JAMB (PUSH)	PARALLEL ARM	STOP FACE	POWDER COAT	PLATED	PLASTIC	METAL	DESIGNER SERIES	NON-HANDED	NON-SIZED	ACCESSIBILITY	DELAYED ACTION	REGULAR (DOUBLE)	STANDARD (SINGLE)	HEAVY DUTY	HOLD-OPEN	EDA/HEDA	CUSH/H/CUSH	SCUSH/S/CUSH
●	○	●	●	○	●	● <sup>D</sup>	●	○	●	●	○	○	●	180°	○	180°	180°	110°	100°	100°

● AVAILABLE  
 ○ NOT AVAILABLE

♿ Closer available with less than 5.0 lbs. opening force on 36" door.  
 \* Maximum opening/hold-open point with standard template.  
 D = For designer series only.

# 1460 SERIES

## HINGE (PULL) SIDE MOUNTING

### MAXIMUM OPENING

110°

(A) = 5-7/8" (149 mm)

(B) = 10-7/8" (276 mm)

or \*180°

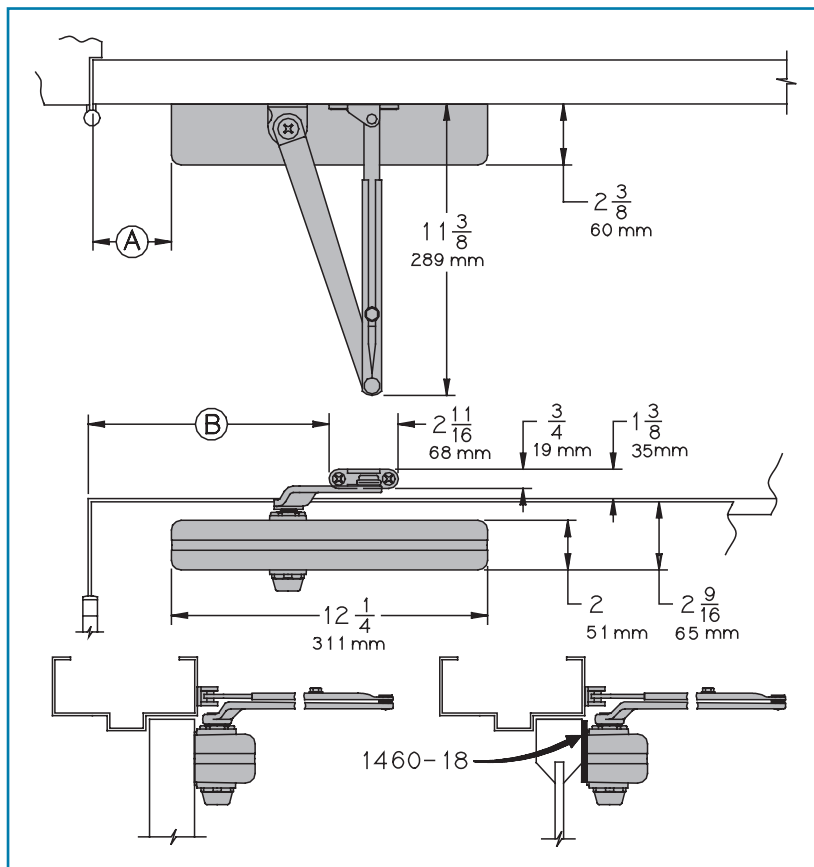
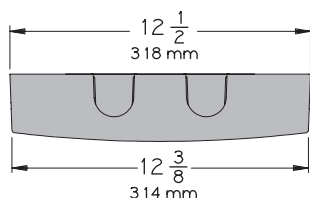
(A) = 2-7/8" (73 mm)

(B) = 7-7/8" (200 mm)

Hold-open points up to maximum opening with hold-open arm.

\*Frame and trim permitting.

Optional, Non-handed  
Designer Series  
Metal Cover



### Options

- Delayed action cylinder.
- Hold-open arm.
- ▶ Full cover. (FC)
- Designer Series metal cover.(DS)

### Special Templates

Customized installation templates or products may be available to solve unusual applications. Contact LCN Product Support for assistance.

- **Butt Hinges** should not exceed 5" (127 mm) in width.
- **Auxiliary Stop** is recommended at hold-open point or where a door cannot swing 180°.
- **Reveal** should not exceed 3/4" (19 mm) for regular arm or 1/2" (13 mm) for hold-open arm.
- **Top Rail** less than 2-1/2" (64 mm) requires PLATE, 1460-18. With Full cover, use PLATE, 1460-18FC. Plate requires 1-1/2" (38 mm) minimum. With Designer Series metal cover, use PLATE, 1460-18DS1.
- ▶ **Clearance** of 2-3/8" (60 mm) behind door required for installation.
- **Delayed Action** Add suffix "DEL" to selected cylinder (eg. 1461 DEL). Delays closing from 110° to 65° or 160° to 75° depending on templating. Delay time adjustable up to approximately 1 minute.

# 1460 SERIES

## TOP JAMB (PUSH SIDE) MOUNTING

### MAXIMUM OPENING

110°

Ⓐ = 6-3/4" (169 mm)

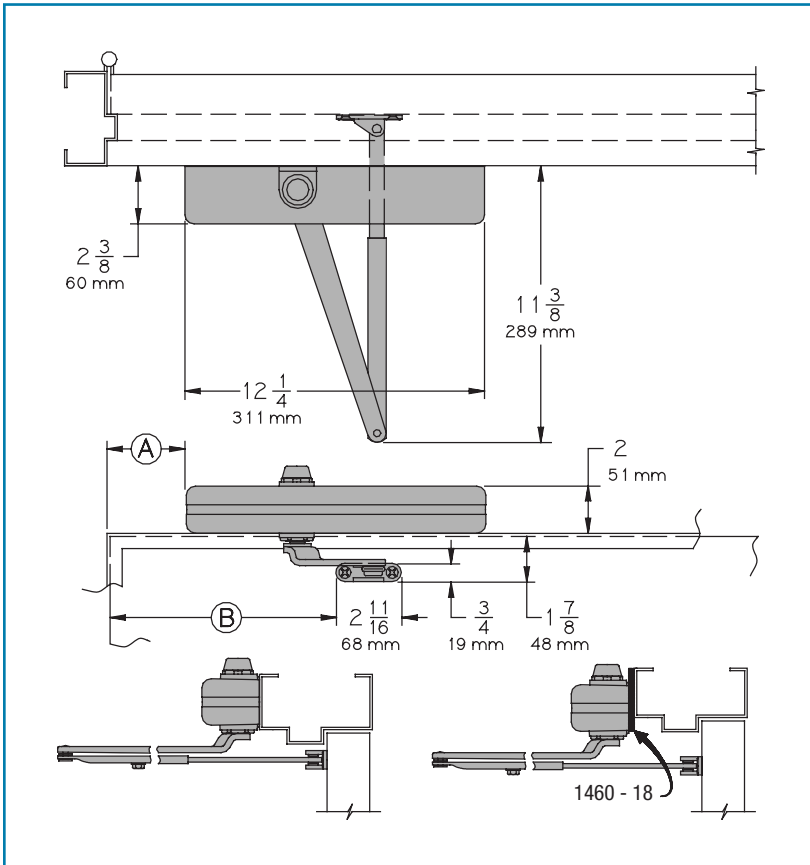
Ⓑ = 11-1/4" (286 mm)

180°

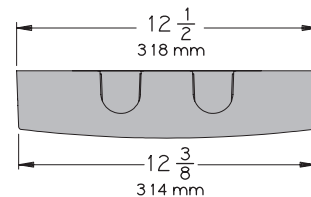
Ⓐ = 3" (76 mm)

Ⓑ = 7-1/2" (191 mm)

Hold-open points up to maximum opening with hold-open arm.



*Optional, Non-handed  
Designer Series  
Metal Cover*



- **Butt Hinges** should not exceed 5" (127 mm) in width.
- **Auxiliary Stop** is recommended at hold-open point or where a door cannot swing 180°.
- **Reveal** of 2-1/2" (64 mm) allows 180° opening with REGULAR HOLD-OPEN ARM. 3-1/2" (89 mm) allows up to 180° opening with REGULAR ARM or 180° with optional LONG HOLD-OPEN ARM when standard head and tube is replaced with optional LONG HEAD AND TUBE, 1460-78HL. 4-7/8" (124 mm) allows up to 140° with REGULAR ARM or LONG HOLD-OPEN ARM. 7" (178 mm) allows up to 140° opening with LONG ARM when standard rod and shoe is replaced with optional LONG ROD AND SHOE, 1460-79LR.
- **Top Rail** requires 1-7/8" (48 mm) minimum. 2-3/4" (70 mm) minimum with closer on PLATE, 1460-18.
- **Head Frame** less than 1-3/4" (44 mm) requires PLATE, 1460-18. For flush ceiling condition with 2" (51 mm) headframe, use PLATE, 1460-18.
- **Delayed Action** Add suffix "DEL" to selected cylinder (eg. 1460 DEL). Delays closing from 110° to 75° or 180° to 95° depending on templating. Delay time adjustable up to approximately 1 minute.

### Options

- Delayed action cylinder.
- Long arm, hold-open arm, long hold-open arm.
- Full cover. (FC)
- Designer Series metal cover. (DS)

### Special Templates

Customized installation templates or products may be available to solve unusual applications. Contact LCN Product Support for assistance.

# 1460 SERIES

## PARALLEL ARM (PUSH SIDE) MOUNTING

Optional mounting requires PA SHOE, 1460-62PA for REGULAR or HOLD-OPEN arms. Add prefix "P" to closer description (e.g. P1460). P1460 closer includes 1460-201 FIFTH HOLE SPACER to support PA SHOE.

## MAXIMUM OPENING

Regular or hold-open arm can be templated for 100°

Ⓐ = 4-1/4" (108 mm)

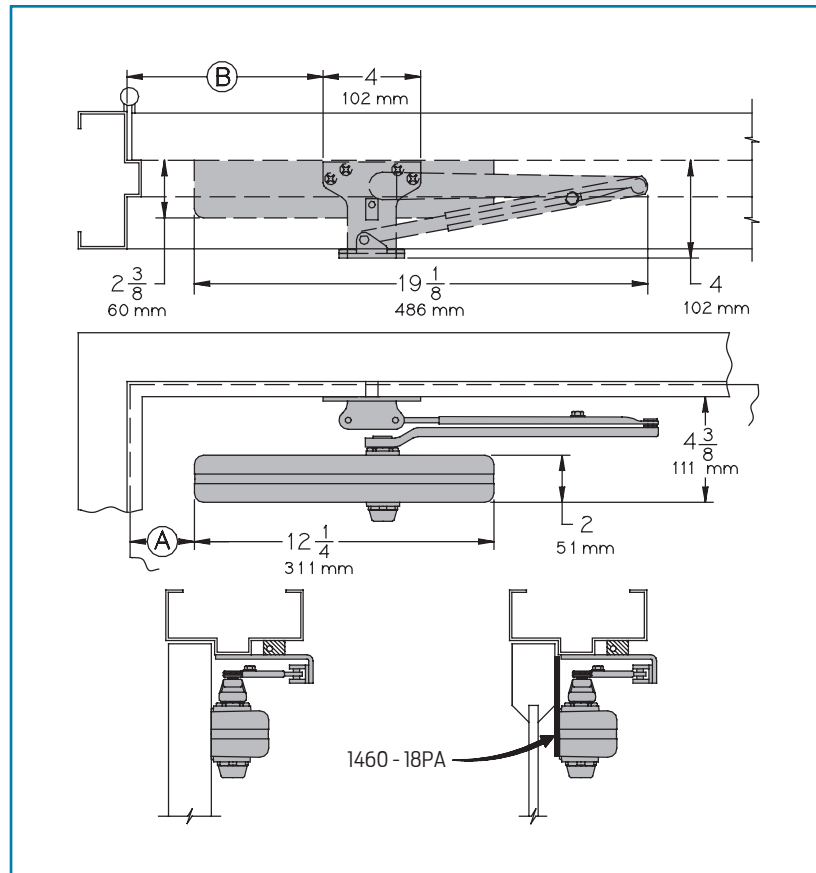
Ⓑ = 9-1/4" (235 mm)

or 180°

Ⓐ = 1-3/4" (44 mm)

Ⓑ = 6-3/4" (171 mm)

Hold-open points up to maximum opening with hold-open arm.



## 1460 REGULAR OR HOLD-OPEN MOUNT

- **Butt Hinges** should not exceed 5" (127 mm) in width.
- **Auxiliary Stop** is recommended at hold-open point, where a door cannot swing 180°, or where CUSH-N-STOP arm is not used.
- **Clearance** for 1460-62PA shoe is 4" (102 mm) from door face.
- **Top Rail** less than 4-3/8" (111 mm) measured from the stop requires PLATE, 1460-18PA. With Full cover, use PLATE, 1460-18PAFC. Plate requires 1-3/4" (44 mm) minimum. Plate requires 1-1/4" (32 mm) minimum. With Designer Series metal cover, use PLATE, 1460-18PADS1.
- **Head Frame** flush or single rabbeted requires PA SHOE ADAPTER, 1460-418.
- **Stop Width** minimum 1" (25 mm).
- **Blade Stop** clearance, requires 1/2" (13 mm) BLADE STOP SPACER, 1460-61.
- **Auxiliary Shoe**, 1460-62A allows installation of regular arm with overhead holder/stop. Special templating required.
- **Delayed Action** Add suffix "DEL" to selected cylinder (eg. P1460 DEL). Delays closing from maximum opening to approximately 75°. Delay time adjustable up to approximately 1 minute.

### Options

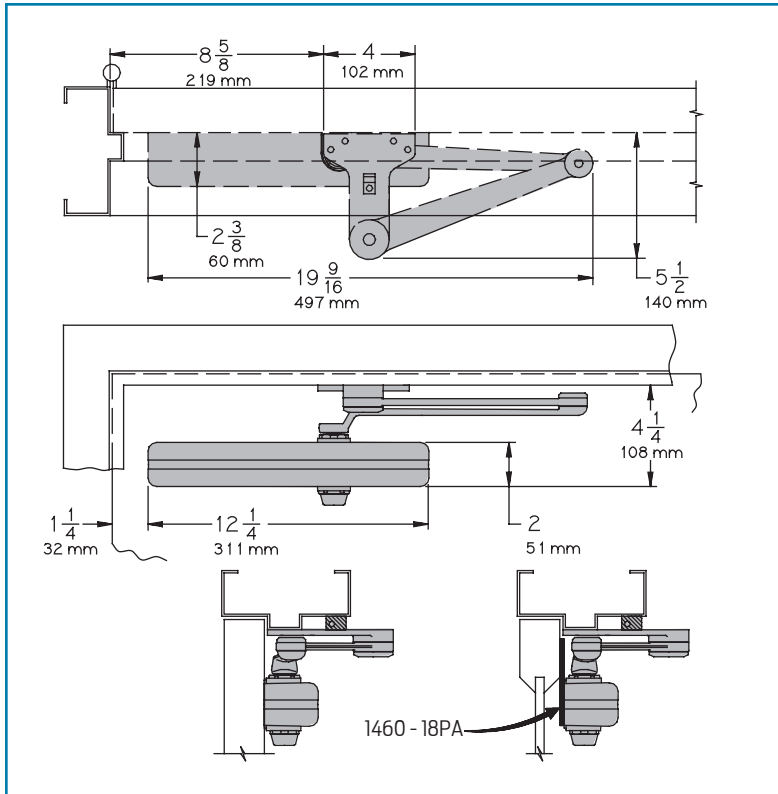
- Delayed action cylinder.
- Hold-open, EDA, HEDA, CUSH, HCUSH, SPRING CUSH, or SPRING HCUSH arms.
- Full cover. (FC)
- Designer Series metal cover. (DS)

### Special Templates

Customized installation templates or products may be available to solve unusual applications. Contact LCN Product Support for assistance.

# 1460 SERIES

## 1460 EDA MOUNT



## 1460 EDA OR CUSH-N-STOP MOUNTING

1460 closers ordered with EDA, CUSH or SPRING CUSH arms include 1460-201 FIFTH HOLE SPACER to support the shoe.

### MAXIMUM OPENING

EDA template allows 110°.  
Hold-open point up to maximum opening.

CUSH arms can be templated for maximum opening/hold-open point at 85°.

Ⓐ = 2-3/8" (60 mm)

Ⓑ = 9-9/16" (243 mm)

90°.

Ⓐ = 1-5/8" (41 mm)

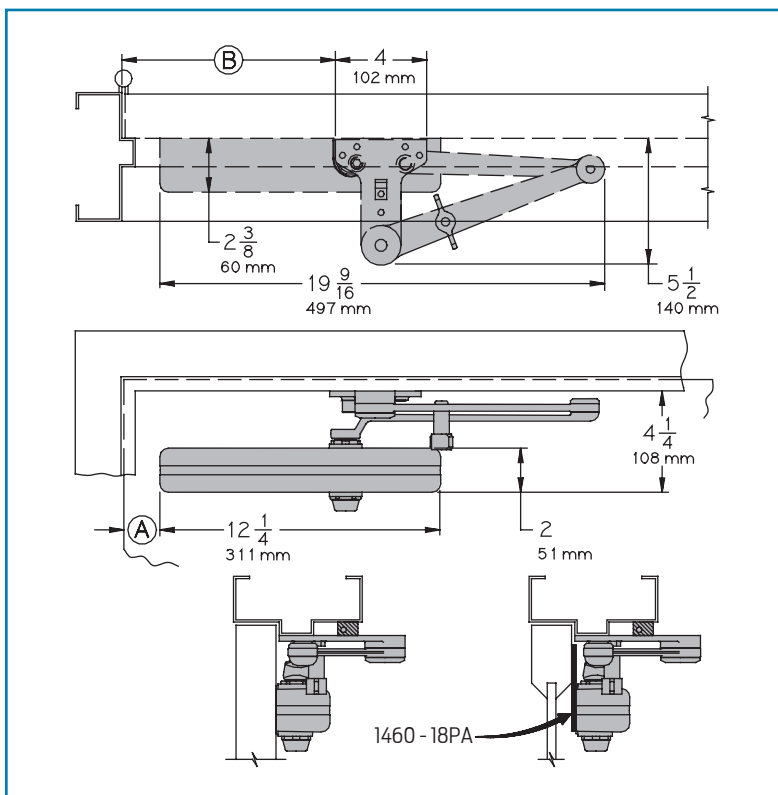
Ⓑ = 9-1/16" (230 mm)

or 100°.

Ⓐ = 5/8" (16 mm)

Ⓑ = 8-1/16" (205 mm)

## 1460 CUSH MOUNT



- **Spring CUSH** hold open points are approximately 5° less than dead stop point.
- **Clearance** for 1460-62EDA or CUSH shoe is 5-1/2" (140 mm) from door face.
- **Head Frame** flush or rabbeted requires PA FLUSH PANEL ADAPTER, 1460-419.
- **EDA or CUSH ARM** requires SHOE SUPPORT, 1460-30 for fifth screw anchorage where reveal is less than 3-1/16" (78 mm).

# 1460 SERIES

## CYLINDERS

### CYLINDER, 1461-3071

Standard, non-handed cast iron cylinder assembly.

## ARMS

### REGULAR ARM, 1460-3077

Non-handed arm mounts hinge side or top jamb. P1460 closer includes PA SHOE, 1460-62PA required for parallel arm mounting.

### PA SHOE, 1460-62PA

Required for parallel arm mounting.

### LONG ARM, 1460-3077L

Optional, non-handed arm includes LONG ROD AND SHOE, 1460-79LR for top jamb mount with deep reveals.

### HEAVY DUTY REGULAR ARM 1460-3077HD

Optional, heavy duty, forged, non-handed arm, mounts hinge side, top jamb or parallel arm.

### HEAVY DUTY LONG ARM 1460-3077HDL

Optional, heavy duty, forged, non-handed arm. Includes long rod and shoe, 1460-79LR for top jamb mounts with deep reveals.

### HOLD-OPEN ARM, 1460-3049

Optional, non-handed arm mounts hinge side, top jamb or parallel arm (62PA required). Hold-open adjustable at shoe.

### LONG HOLD-OPEN ARM, 1460-3049L

Optional non-handed arm includes LONG HEAD AND TUBE, 1460-3048L for top jamb mount with deep reveals.

### EXTRA DUTY ARM, 1460-3077EDA, 1460-3077EDA/G

Optional, non-handed parallel arm features solid forged steel main and forearm for potentially abusive installations. Optional 1460-3077EDA/G for blade stop clearance.

### HEDA ARM, 1460-3049EDA

Optional handed arm, provides hold-open function adjustable at shoe.

### CUSH-N-STOP® ARM, 1460-3077CNS

Optional, non-handed parallel arm features solid forged steel main arm and forearm with stop in soffit shoe.

### HCUSH ARM, 1460-3049CNS

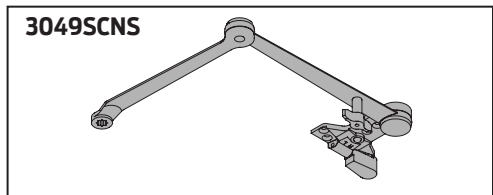
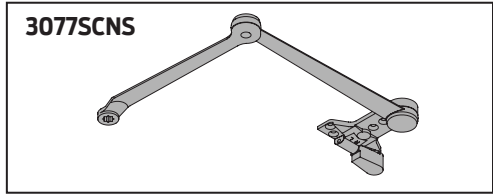
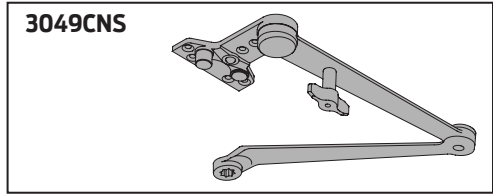
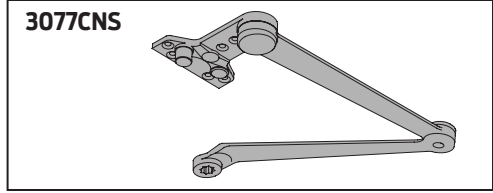
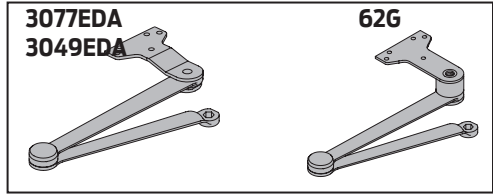
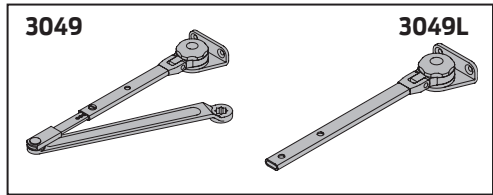
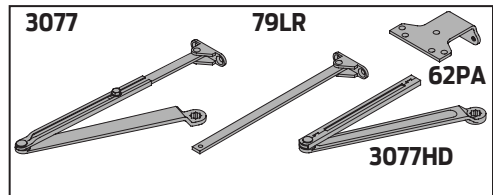
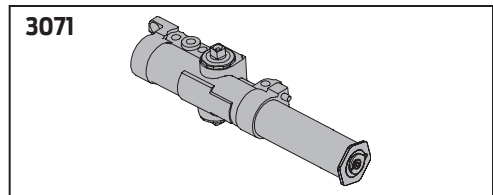
Optional non-handed arm, provides hold-open function with templated stop/hold-open points. Handle controls hold-open function.

### SPRING CUSH ARM, 1460-3077SCNS

Optional, non-handed parallel arm for abusive applications features solid forged steel main arm and forearm with spring loaded stop in the soffit shoe.

### SPRING HCUSH ARM, 1460-3049SCNS

Optional, non-handed parallel arm for abusive applications features solid forged steel main arm and forearm with spring loaded stop in the soffit shoe. Handle controls hold-open function.





# 1460 SERIES

## COVERS

### COVER, 1460-72

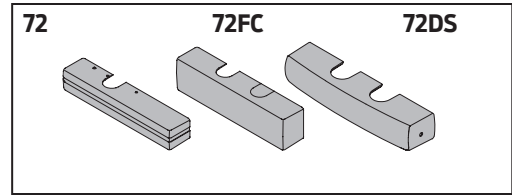
Standard, non-handed, slim line plastic cover with feature strip.

### FULL COVER, 1460-72FC

Optional, non-handed, plastic cover provides complete enclosure.

### DESIGNER SERIES METAL COVER, 1460-72DS

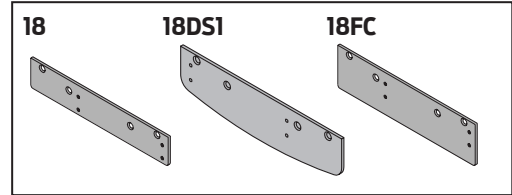
Optional, non-handed designer series metal full cover provides complete enclosure with a stylish look. Required for plating and custom powder coat option.



## INSTALLATION ACCESSORIES

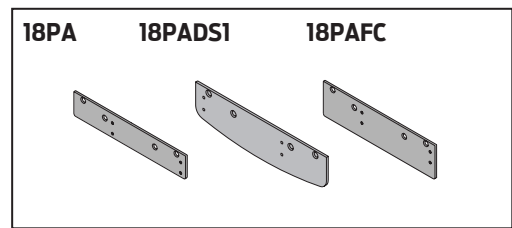
### PLATE, 1460-18/1460-18DS1/1460-18FC

Required for hinge side mount where top rail is less than 2-1/2" (64 mm). Required for top jamb mounting where head frame is less than 1-3/4" (44 mm) or flush ceiling condition exists. Plate requires minimum 1-1/2" (38 mm) minimum top rail or 1-1/4" (32 mm) head frame. With full cover, use PLATE, 1460-18FC. With Designer Series metal cover, use PLATE, 1460-18DS1. Note: 18FC and 18DS will not work in top jamb application.



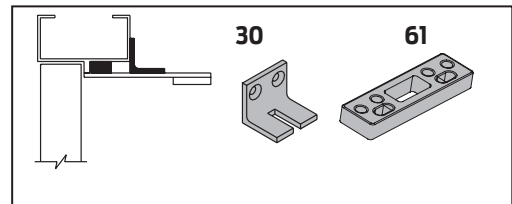
### PLATE, 1460-18PA/1460-18PADS1/1460-18PAFC

Required for parallel arm mounting where top rail is less than 4-3/8" (111 mm), measured from the stop. Plate requires 1-3/4" (44 mm) minimum top rail. With full cover, use PLATE, 1460-18PAFC. With Designer Series metal cover, use PLATE, 1460-18PADS1.



### CUSH SHOE SUPPORT, 1460-30

Provide anchorage for fifth screw used with CUSH arm where reveal is less than 3-1/16" (78 mm).

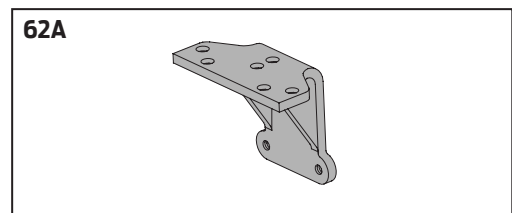


### BLADE STOP SPACER, 1460-61

Lowers parallel arm shoe to clear 1/2" (13 mm) blade stop.

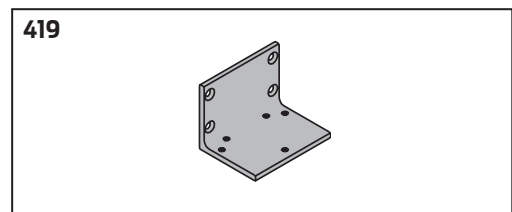
### AUXILIARY SHOE, 1460-62A

Requires a top rail of 7" (178 mm). Optional shoe replaces -62PA for parallel arm mounting of regular arm with overhead holder/stop. Special template required.



### PA FLUSH PANEL ADAPTER, 1460-419

Provides horizontal mounting surface for PA, EDA, or CUSH shoe on single rabbeted or flush frame.



# 1460 SERIES

## TABLE OF SIZES

Select closer based on width of door.  
The spring power of a 1461 cylinder is field adjustable from size 1 through size 6 and is shipped adjusted to size 3.

### EXTERIOR (and VESTIBULE) DOOR WIDTH

24"	30"	36"	42"	48"
610mm	762mm	914mm	1067mm	1219mm



Minimum Door Width

### INTERIOR DOOR WIDTH

24"	34"	38"	48"	54"	60"
610mm	610mm	965mm	1219mm	1372mm	1524mm



Minimum Door Width

\* Adjustable Size 1 thru 6

→ Indicates recommended range of door width for closer size.

## REDUCED OPENING FORCE 1460 CLOSERS

**CAUTION!** Any manual door closer, including those certified by BHMA to conform to ANSI Standard A156.4, that is selected, installed and adjusted based on ADA or other reduced opening force requirements may not provide sufficient power to reliably close and latch a door.

Refer to POWER OPERATORS section for information on systems that meet reduced opening force requirements without affecting closing power.

	DOOR WIDTH	36"	42"	48"
	8.5* lbs.	1461	1461	1461
	5.0* lbs.	1461	1461	1461

\* Maximum opening force.

## HOW TO ORDER 1460 SERIES CLOSERS

### 1. SELECT FINISH

- Standard Powder Coat \_\_\_\_\_  
Aluminum, Dark Bronze, Statuary,  
Light Bronze, Black, Brass.

#### Closer will be shipped with:

- STANDARD CYLINDER,
- STANDARD COVER,
- REGULAR ARM,
- SELF-REAMING and TAPPING SCREWS,  
*unless options listed below are selected.*

## CLOSER OPTIONS

### CYLINDER

- Delayed Action (DEL)

### COVER

- Full cover (FC)
- Designer series cover (DS)

### FINISH

- Custom Powder Coat (RAL) \_\_\_\_\_  
(DS cover required)
- Plated Finish, US \_\_\_\_\_  
(DS cover required)
- SRI primer (for use with powder coat finishes only)

### ARM

- Regular w/62PA (Rw/PA)
- Long (LONG)
- Regular w/62A (Rw/62A)
- Hold-Open (H)
- Hold-Open w/62PA (Hw/PA)
- Long Hold-Open (HLONG)
- Heavy Duty (HD)
- Heavy Duty w/62A (HD/62A)
- Heavy Duty w/62PA (HD/PA)
- Heavy Duty Long (HDL)
- EDA (optional -62G)
- HEDA (specify right or left hand), (optional -62G)
- Cush-N-Stop (CUSH)
- HCush (HCUSH)
- Spring Cush (SCUSH)
- Spring HCush (SHCUSH)

### OPTIONAL SCREW PACKS

- TB\* w/Self-Reaming and Tapping Screws (TBSRT)
- Wood & Machine Screw (WMS)
- TB\*, Wood & Machine Screw (TBWMS)
- TORX Machine Screw (TORX)
- TB\* & TORX Machine Screw (TBTORX)  
\* Specify door thickness if other than 1-3/4".

### SPECIAL TEMPLATE

- ST- \_\_\_\_\_

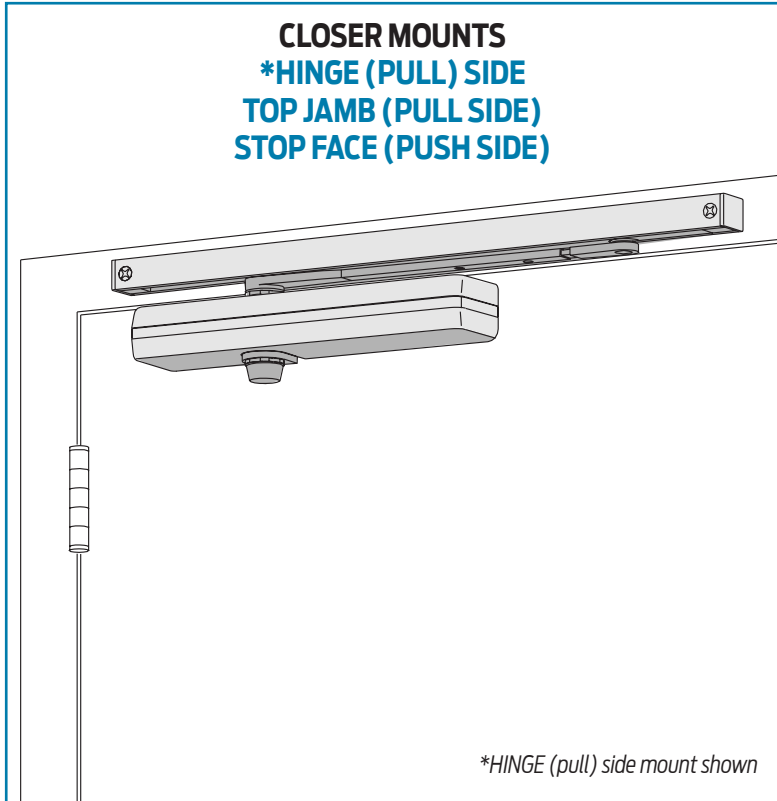
### INSTALLATION ACCESSORIES

- Plate, 1460-18
- Plate, 1460-18DS
- Plate, 1460-18FC
- Plate, 1460-18PA
- Plate, 1460-18PADS
- Plate, 1460-18PAFC
- CUSH Shoe Support, 1460-30
- Blade Stop Spacer, 1460-61
- Auxiliary Shoe, 1460-62A
- PA Flush Panel Adapter, 1460-419

PHONE 877-671-7011  
FAX 800-248-1460  
www.allegion.com/us  
2/14

# 1460T SERIES

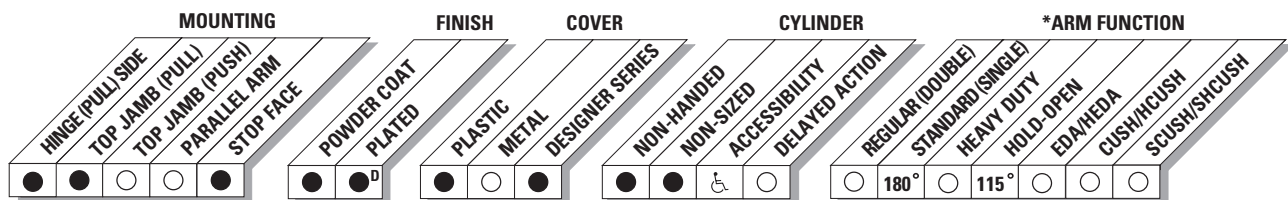
## FEATURES



The 1460T is a fully universal slim line, single lever (track) arm closer designed for interior use on narrow headframes and top rails. The modern styling and small projection make it an excellent choice for interior doors.

- Cast Iron
- All weather fluid
- Non-handed
- UL and cUL listed

- Standard 1460T series closer shipped with a standard arm, a slim line plastic cover, a standard track, a track roller, and self reaming and tapping screws. See 1460T Series page 23 & 24 for options.
- Multiple cover options include; Standard (Slim line), Full and Designer Series.
- Non-sized (2-4) cylinders adjustable for interior doors to 4' 0".
- Non-handed closer mounts hinge side, top jamb (pull side), and stop face on either right or left swinging doors.
- Standard or optional custom powder coat finish.
- Optional plated finish on Designer Series metal cover, arm and fasteners. (Available with powder coat finishes only).
- Optional SRI primer for installations in corrosive conditions.
- Tested and certified under ANSI Standard A156.4, grade one.



● AVAILABLE  
○ NOT AVAILABLE

\* Maximum opening/hold-open point with standard template. Hinge side mount  
D = For designer series only.

# 1460T SERIES

## MOUNTING DETAILS

### HINGE (PULL) SIDE MOUNTING

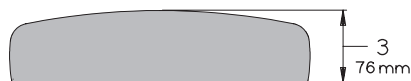
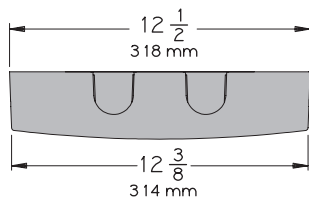
#### MAXIMUM OPENING

Templating allows up to 180°, trim and frame permitting, limited to 115° when optional bumper is installed.

Consult factory if door will be held open at 180°.

Hold-open points at 85°, 90°, 95°, 100°, 110° or 115° with hold-open tracks. Please note that many track style door closers are capable of allowing 180° of door swing. Be aware that the majority of track style closers are at their weakest closing force in the 180°-130° range. Consult factory for applications where an exterior or large/heavy door must swing 180°.

*Optional, Non-handed Designer Series Metal Cover*

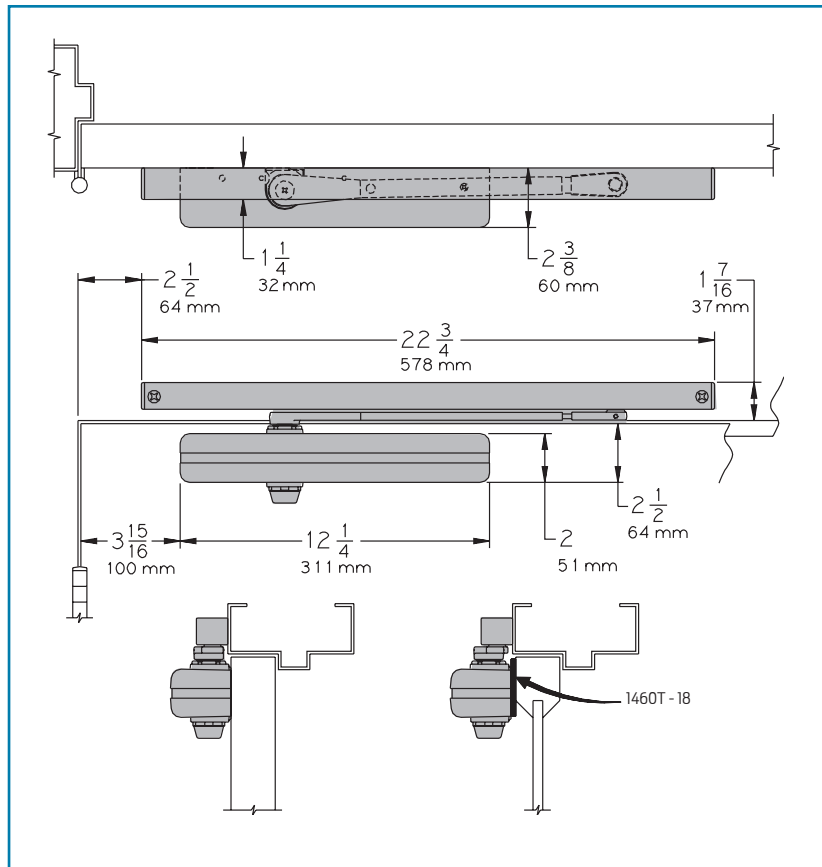


#### Options

- Regular track with bumper.
- Hold-open track.
- Hold-open track with bumper.
- Full cover. (FC)
- Designer Series metal cover. (DS)

#### Special Templates

Customized installation templates or products may be available to solve unusual applications. Contact LCN Product Support for assistance.



- **Butt Hinges** should not exceed 5" (127 mm) in width.
- **Auxiliary Stop** is recommended where a door cannot swing 180°. Optional track bumper assembly assists backcheck in cushioning the opening swing of the door. It is not intended to replace an auxiliary stop.
- **Reveal** should not exceed 1/8" (3 mm).
- **Top Rail** less than 2-1/2" (64 mm) requires PLATE, 1460T-18. Plate requires 1-1/2" (38 mm) minimum. With Full cover, use PLATE, 1460T-18FC. With Designer Series metal cover, use PLATE, 1460T-18DS.
- **Clearance** of 2-3/8" (60 mm) behind door required for installation.

# 1460T SERIES

## TOP JAMB (PULL SIDE) MOUNTING

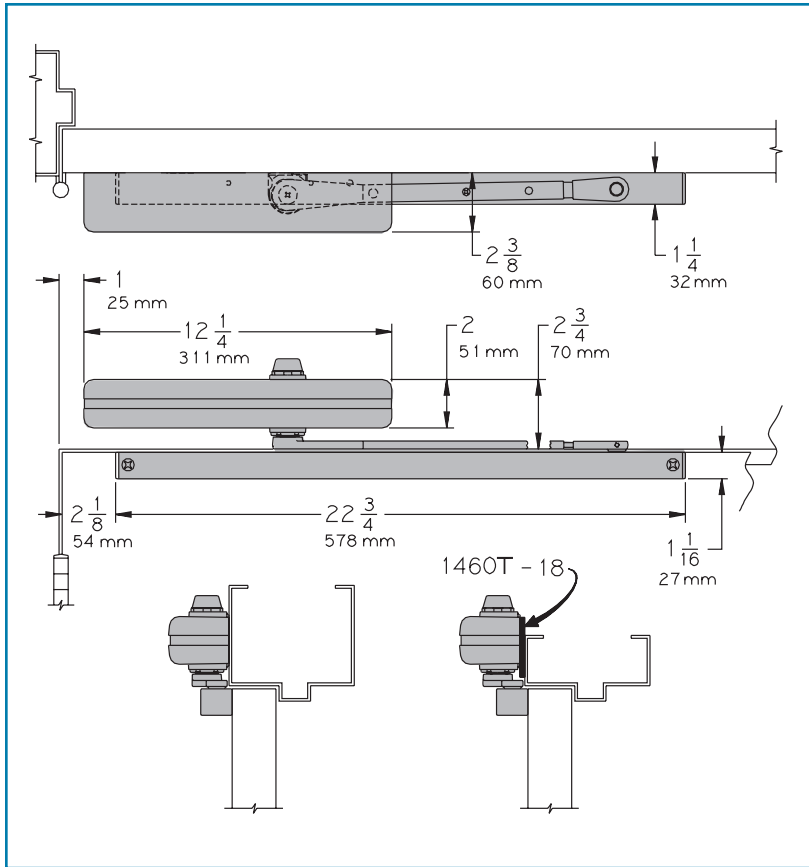
### MAXIMUM OPENING

Templating allows up to 180°, limited to 115° when optional bumper is installed.

Consult factory if door will be held open at 180°.

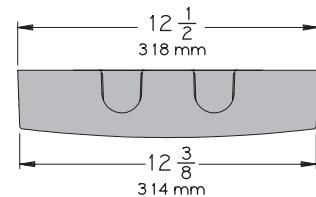
Hold-open points at 85°, 90°, 95°, 100°, 110° or 115° with hold-open tracks.

Please note that many track style door closers are capable of allowing 180° of door swing. Be aware that the majority of track style closers are at their weakest closing force in the 180° – 130° range. Consult factory for applications where an exterior or large/heavy door must swing 180°.



- **Butt Hinges** should not exceed 5" (127 mm) in width.
- **Auxiliary Stop** is recommended where a door cannot swing 180°. Track bumper assembly assists backcheck in cushioning the opening swing of the door. It is not intended to replace an auxiliary stop.
- **Head Frame** less than 2-3/4" (70 mm) requires PLATE, 1460T-18. Plate requires 1-3/4" (44 mm) minimum. With full cover, use PLATE, 1460T-18FC. With Designer Series metal cover, use PLATE, 1460T-18DS.
- **Reveal** (hinge side) should not exceed 1/8" (3 mm).
- **Top Rail** minimum 1-1/4" (32 mm).
- **Clearance** 1-1/4" (32 mm) behind door for installations.

*Optional, Non-handed Designer Series Metal Cover*



### Options

- Regular track with bumper.
- Hold-open track.
- Hold-open track with bumper.
- Full cover. (FC)
- Designer Series metal cover. (DS)

### Special Templates

Customized installation templates or products may be available to solve unusual applications. Contact LCN Product Support for assistance.

# 1460T SERIES

## MOUNTING DETAILS

### STOP FACE (PUSH SIDE) MOUNTING

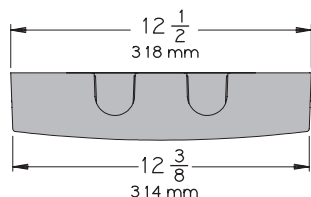
#### MAXIMUM OPENING

Templating allows 110°, limited to 100° when optional bumper is installed.

Hold-open points at 85°, 90°, 95°, or 100° with hold-open tracks.

Please note that many track style door closers are capable of allowing 180° of door swing. Be aware that the majority of track style closers are at their weakest closing force in the 180° – 130° range. Consult factory for applications where an exterior or large/heavy door must swing 180°.

*Optional, Non-handed Designer Series Metal Cover*

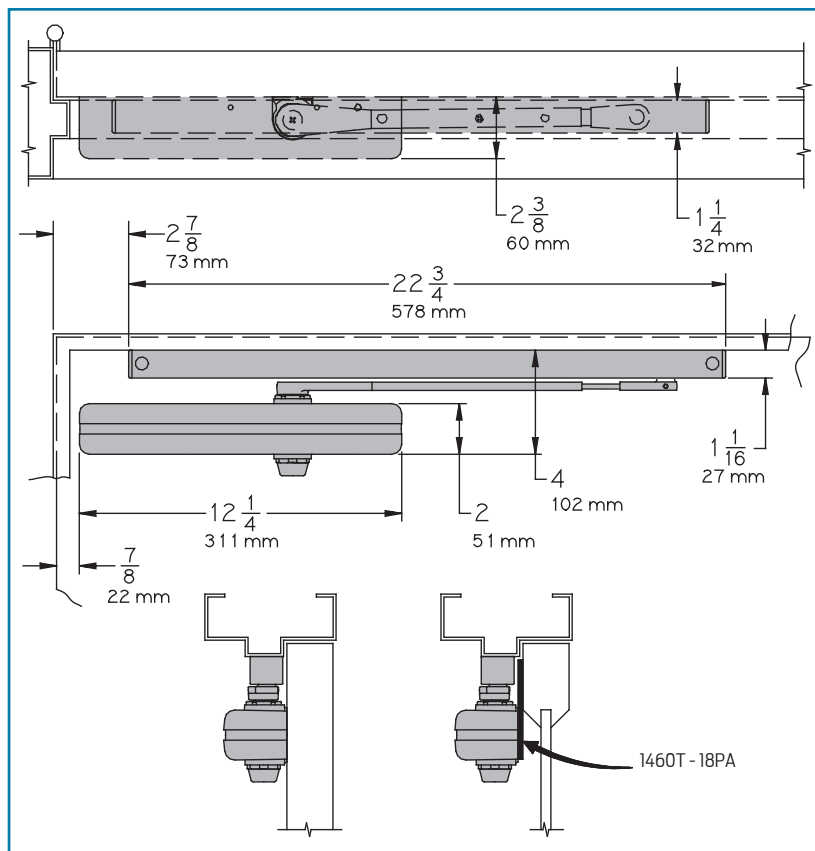


#### Options

- Regular track with bumper.
- Hold-open track.
- Hold-open track with bumper.
- Full cover. (FC)
- Designer Series metal cover. (DS)

#### Special Templates

Customized installation templates or products may be available to solve unusual applications. Contact LCN Product Support for assistance.



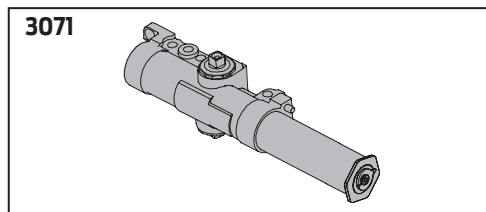
- **Butt Hinges** should not exceed 5" (127 mm) in width.
- **Auxiliary Stop** is recommended where a door cannot swing 110°. Track bumper assembly assists backcheck in cushioning the opening swing of the door. It is not intended to replace an auxiliary stop.
- **Clearance** 1460T projects 2-3/8" (60 mm) from door face.
- **Top Rail** less than 4" (102 mm) measured from the stop face requires PLATE, 1460T-18PA. Plate requires 1-1/2" (38 mm) minimum. With Full cover, use PLATE, 1460T-18PAFC. With Designer Series metal cover, use PLATE, 1460T-18PADS.
- **Stop Width** minimum 1-1/4" (32 mm).

# 1460T SERIES

## CYLINDERS

### CYLINDER, 1460T-3071

Standard, non-handed cast iron cylinder assembly. For various applications see "Table of Sizes" on 1460T Series.



## COVERS

### COVER, 1460T-72

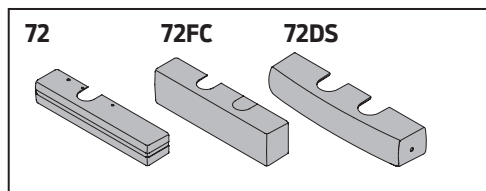
Standard, non-handed, slim line plastic cover with feature strip.

### FULL COVER, 1460T-72FC

Optional, non-handed, plastic cover provides complete enclosure.

### DESIGNER METAL COVER, 1460T-72DS

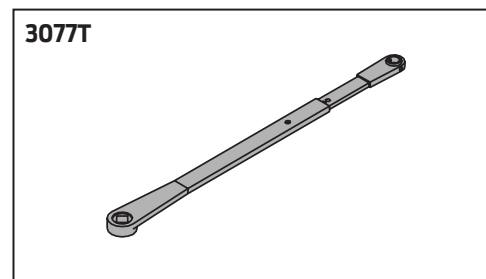
Optional, non-handed designer series metal full cover provides complete enclosure with a stylish look. Required for plating option and custom powder coat finishes.



## ARM

### STANDARD ARM, 1460T-3077T

Non-handed single lever arm mounts hinge side, top jamb, or stop face. Track roller not included with arm.



## TRACKS

### STANDARD TRACK, 1460T-3038

Standard, non hold-open, non-handed track mounts on either side of the door. Will accept hold-open clip and/or bumper assembly.

### STANDARD TRACK with BUMPER, 1460T-3038B

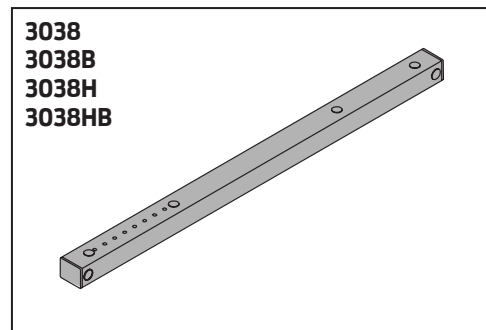
Optional, non hold-open, non-handed track with bumper mounts on either side of the door. Will accept hold-open clip.

### HOLD-OPEN TRACK, 1460T-3038H

Optional, non-handed hold-open track mounts on either side of the door. Will accept bumper assembly.

### HOLD-OPEN TRACK with BUMPER, 1460T-3038HB

Optional, non-handed hold-open track with bumper mounts on either side of the door.

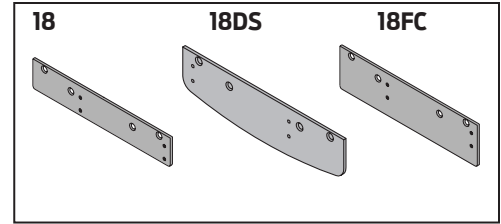


# 1460T SERIES

## INSTALLATION ACCESSORIES

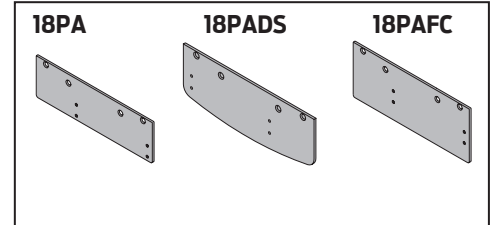
### PLATE, 1460T-18,1460T-18DS,1460T-18FC

Required for hinge side mount where top rail is less than 2-1/2" (64 mm). Required for top jamb mount when head frame is less than 2-3/4" (70 mm). Plate requires minimum 1-1/2" (38 mm) top rail or 1-3/4" (44 mm) head frame minimum. With Full cover, use PLATE, 1460T-18FC. With Designer Series metal cover, use PLATE, 1460T-18DSI.



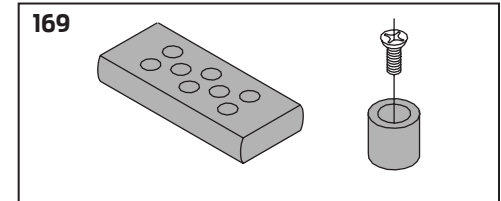
### PLATE, 1460T-18PA,1460T-18PADS,1460T-18PAFC

Required for stop face mounting where top rail is less than 4" (102 mm), measured from the stop. Plate requires 1-1/2" (38 mm) minimum top rail. With Full cover, use PLATE, 1460T-18PAFC. With Designer Series metal cover, use PLATE, 1460T-18PADSI.



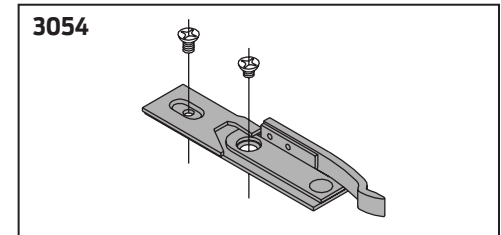
### TRACK BUMPER, 1460T-169

Mounts in track to assist backcheck, does not replace auxiliary stop. Limits maximum opening. Consists of bumper, bumper post, and mounting screw.



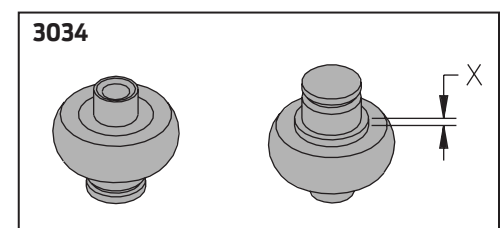
### HOLD-OPEN CLIP, 1460T-3054

Mounts in track to provide hold-open function. Hold-open point controlled by clip location.



### TRACK ROLLER, 1460T-3034

Quiet, low friction roller assembly. Shoulder dimension "X" = 1/8" (3 mm).



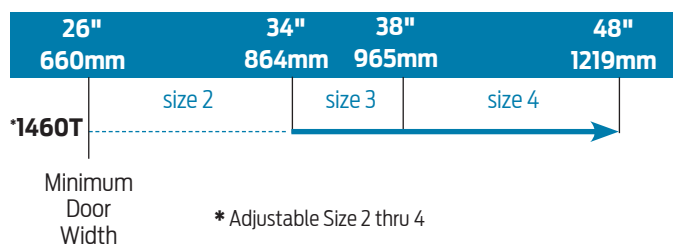


# 1460T SERIES

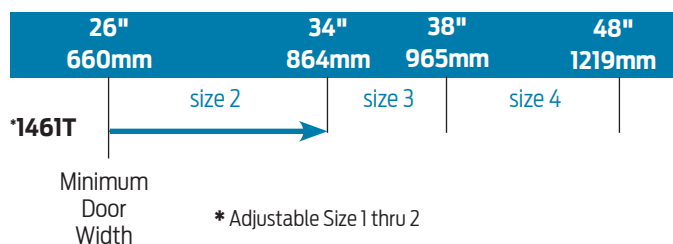
## TABLE OF SIZES

Select closer based on width of door. The spring power of a 1460T cylinder is adjustable from size 2 to size 4 and is shipped adjusted to size 3. The closing power of 1460T series cylinders may be increased 50%. The spring power of a 1461T cylinder is adjustable from size 1 to size 2 and is shipped adjusted to size 1.

### INTERIOR DOOR WIDTH



### INTERIOR DOOR WIDTH




→ Indicates recommended range of door width for closer size.

## REDUCED OPENING FORCE 1460T CLOSERS

**CAUTION!** Any manual door closer, including those certified by BHMA to conform to ANSI Standard A156.4, that is selected, installed and adjusted based on ADA or other reduced opening force requirements may not provide sufficient power to reliably close and latch a door.

Refer to POWER OPERATORS section for information on systems that meet reduced opening force requirements without affecting closing power.

	DOOR WIDTH	36"	42"	48"
	8.5* lbs.	N/A	N/A	N/A
	5.0* lbs.	1461T	1461T	1461T

\* Maximum opening force.

## HOW-TO-ORDER 1460T SERIES CLOSERS

### 1. SELECT CYLINDER SIZE

- 1461T
- 1460T (adjustable from size 2 to 4)

### 2. SPECIFY FINISH

- Standard Powder Coat \_\_\_\_\_  
Aluminum, Dark Bronze, Statuary,  
Light Bronze, Black, Brass.

### Closer will be shipped with:

- STANDARD COVER,
- STANDARD ARM,
- STANDARD TRACK,
- TRACK ROLLER,
- SELF-REAMING and TAPPING SCREWS  
*unless options listed below are selected.*

## CLOSER OPTIONS

### COVER

- Full cover (FC)
- Designer Series metal cover (DS)

### FINISH

- Custom Powder Coat (RAL) \_\_\_\_\_  
(DS cover required)
- Plated Finish, US \_\_\_\_\_  
(DS cover required)
- SRI primer (for use with powder coat finishes only)

### TRACK

- Standard with Bumper (BUMPER)
- Hold-Open (H)
- Hold-Open with Bumper (HBUMPER)

### SCREW PACK

- TB\* w/Self-Reaming and Tapping Screws (TBSRT)
- Wood & Machine Screw (WMS)
- TB\*, Wood & Machine Screw (TBWMS)
- TORX Machine Screw (TORX)
- TB\* & TORX Machine Screw (TBTRX)  
\* Specify door thickness if other than 1-3/4".

### SPECIAL TEMPLATE

- ST- \_\_\_\_\_

### INSTALLATION ACCESSORIES

- Plate, 1460T-18
- Plate, 1460T-18DS1
- Plate, 1460T-18FC
- Plate, 1460T-18PA
- Plate, 1460T-18PADS1
- Plate, 1460T-18PAFC

