



DITEK Corporation
ONE DITEK CENTER
1720 Starkey Road
Largo, FL 33771

INSTALL INSTRUCTIONS

DTK-120/240HD2

This Surge Protective Device (SPD) is a high performance device, designed to provide protection for sensitive electronic loads connected to service panels, fire panels, or where the SPD is directly connected to the electronic device. Maximum protection will only be achieved if the SPD is properly installed.

Please read and follow the installation instructions carefully.

NOTICE: This SPD should be installed by a qualified electrician in accordance with the National and Local Electrical Codes and the following instructions.

APPLICATION

Type 1 SPD, Type 2 SPD for hardwired parallel installations on 120/240 VAC split phase circuits.

INSTRUCTIONS:

Caution: Measure all voltages to insure applied voltage does not exceed the voltage rating of the unit. Improper installation voids the warranty.

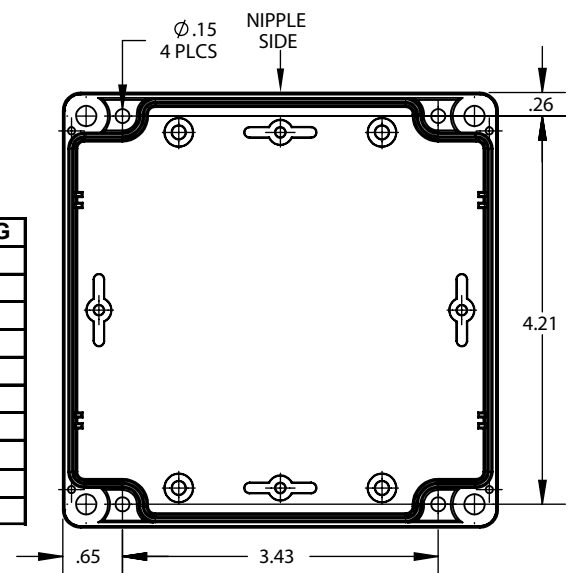
NOTE: Suitable for use on a circuit capable of delivering not more than 100,000 rms symmetrical Amperes.

This SPD Contains no serviceable parts.

1. Turn off the power at the circuit breaker or main before beginning installation.
 2. Remove front cover from the panel.
 3. Remove 1/2" knockout on side of panel box.
 4. Unscrew nut from unit.
 5. Feed all wires and the DTK-120/240HD2 nipple through knockout hole then through nut, tighten nut securing the unit.
 6. Connect the Ground wire (Green) to the Grounding buss of the panel, making sure the ground wire is as short as possible.
- Ground Resistance Rule:** Max ground resistance is 25 ohms, 5 ohms or less is optimum. This cannot be an assumed value and must be measured to assure proper grounding.
7. Connect the Neutral wire (White) to the Neutral buss of the panel.
 8. Connect the Phase wires (Black) to the line side or load side of the 2 pole breaker.
 9. Securely mount the enclosure using the mounting holes located under the cover
 10. After all connections have been made and no hazards exist, replace cover and restore power.

Expected System Voltages

	L - L	HiL-G,N	L - G	L - N	N - G
120V Single Ø	NA	NA	120	120	0
240V Single Ø	NA	NA	240	240	0
120/240V Split Ø	240	NA	120	120	0
120/240V Hi Leg Δ	240	240	120	120	0
120/208V 3 Ø Wye	208	NA	120	120	0
277/480V 3 Ø Wye	480	NA	277	277	0
347/600V 3 Ø Wye	600	NA	347	347	0
240V 3 Ø Δ	240	NA	240 _{Max}	NA	0
480V 3 Ø Δ	480	NA	480 _{Max}	NA	0
600V 3 Ø Δ	600	NA	600 _{Max}	NA	0



DITEK Technical Support Available 24/7

1-888-472-6100

www.ditekcorp.com

Drawn By: J.Ramirez 1-21-10
Approved By: R.Mitchell 1-21-10
Revised By: R.Mitchell 8-8-11

Doc # INT-100094-001
Part No. 191394 Rev.6

INSTALLATION