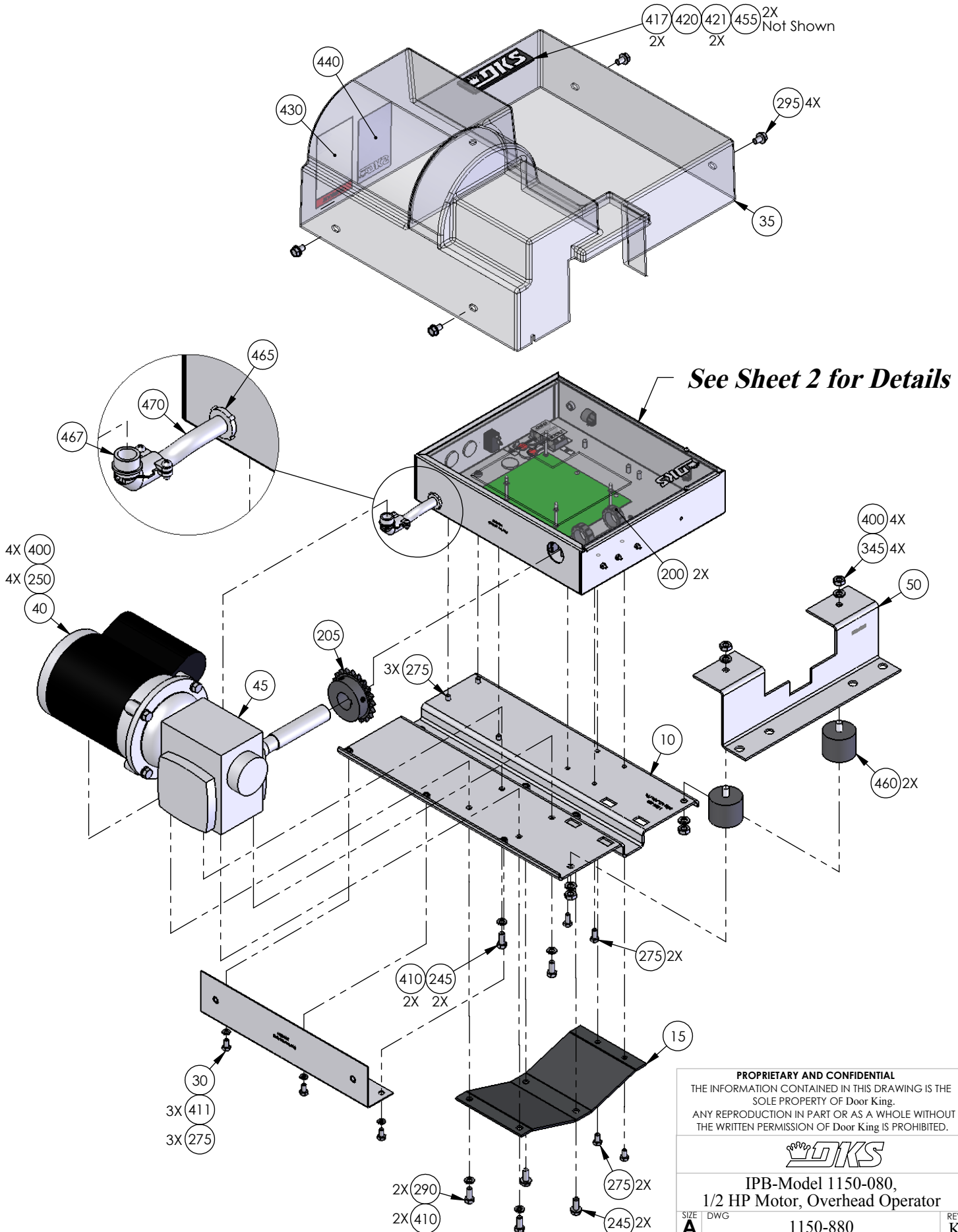


REVISIONS

REV	DESCRIPTION	DATE	APPR
K	Added Items 421, 431, 432. Deleted Item 425 Was: 2600-014.	01/07/08 Scl	01/08/08 D.C.



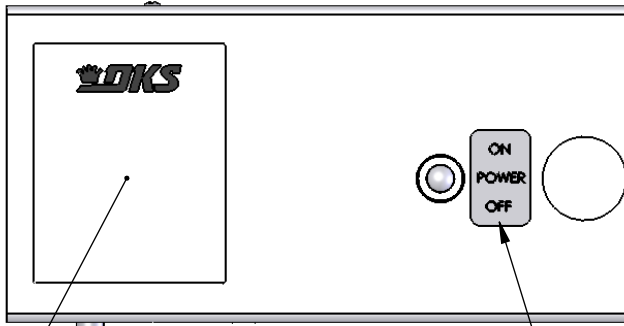
PROPRIETARY AND CONFIDENTIAL
 THE INFORMATION CONTAINED IN THIS DRAWING IS THE SOLE PROPERTY OF Door King.
 ANY REPRODUCTION IN PART OR AS A WHOLE WITHOUT THE WRITTEN PERMISSION OF Door King IS PROHIBITED.

DKS

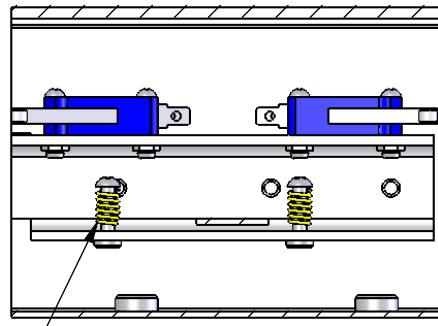
**IPB-Model 1150-080,
 1/2 HP Motor, Overhead Operator**

SIZE A	DWG 1150-880	REV K
------------------	------------------------	-----------------

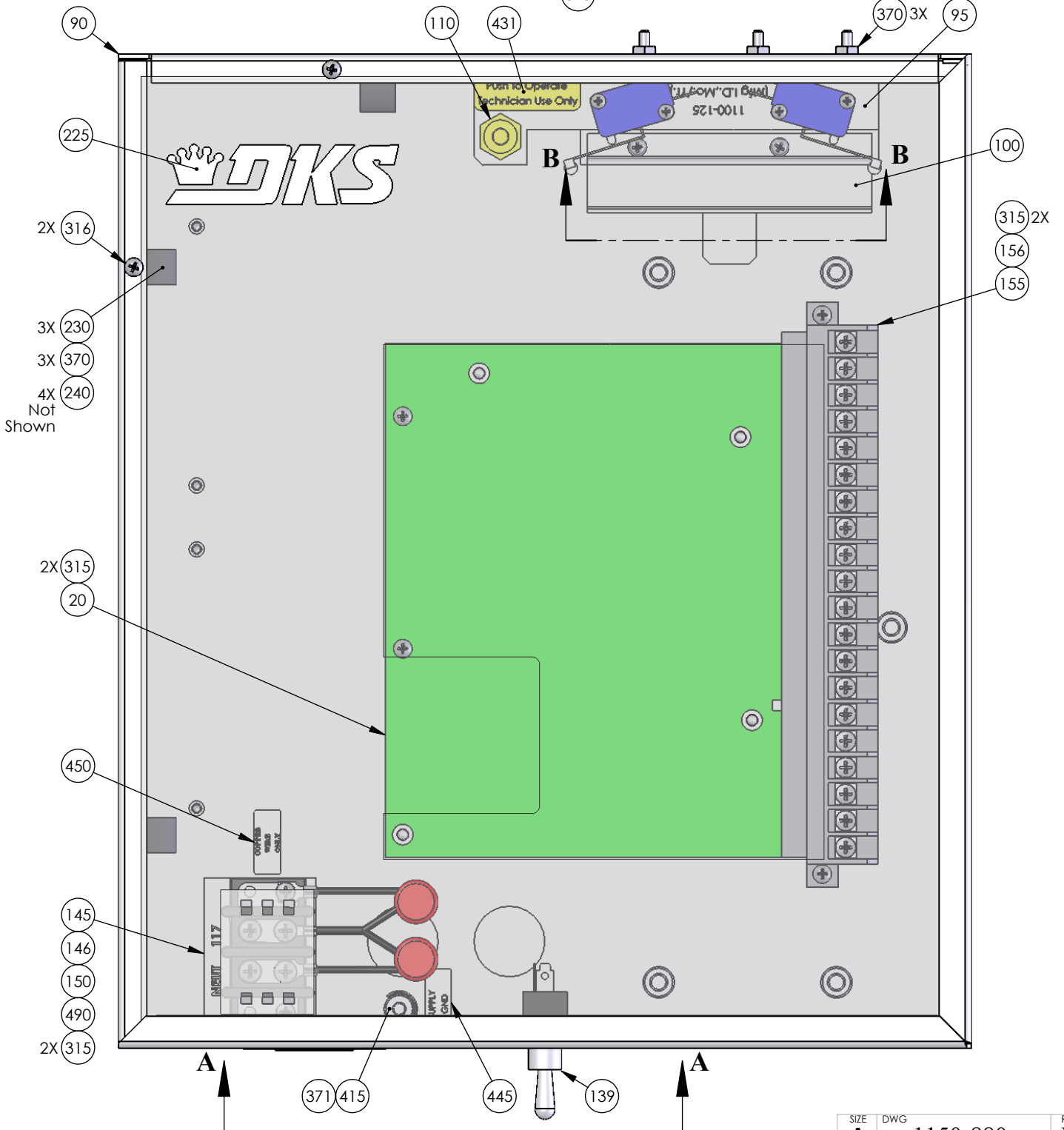
SCALE: 1:24 SHEET 1 of 4



SECTION A-A
SCALE 1 : 2



SECTION B-B
SCALE 1 : 2



IPB 1150-880 Rev K
 (Model and Movex No. 1150-080 Rev K)

Item	Part Number	QTY	UM	Description	List
1	1150-880	1	EA	IPB-1/2 HP Motor K	
5	1150-043	1	EA	Wire Set Model 1150	
10	1100-101	1	EA	Base Plate Model 1100	
15	1150-045	1	EA	Bracket Brace Control Box	
20	4402-010	1	EA	PCB Gate Operator	
30	1100-102	1	EA	Bracket Cover Model 1100	
35	2600-383	1	EA	Cover-Model 1150	
40	2600-330	1	EA	Motor 1/2 HP 1100 Emerson	
45	2600-364	1	EA	Gearbox Overhead 1150	
50	1100-135	1	EA	Bracket Angle Shock Mount	
90	1100-104	1	EA	Box Control Model 1150	
95	1100-125	1	EA	Bracket Microswitch Model 1150	
100	1100-127	1	EA	Bracket Limit Wheel Model 1150	
110	1812-005	1	EA	Switch Push Button N.O.	
139	1601-041	1	EA	Switch Toggle SPST 2POS	
140	1804-024	2	EA	Switch Micro No NC C	
145	2600-414	1	EA	Terminal Block-2 Position	
146	3129-002	1	EA	Terminal Block Cover 2 Positio	
150	2600-410	1	EA	Marker Strip Silkscn Both Side	
155	4001-020	1	EA	Terminal 20 Pin	
156	4001-021	1	EA	Key Polarizing Tyco 1437410-5	
190	2600-857	2	EA	Spring-Compression Limits	
200	2600-246	2	EA	Limit Nut	
205	2600-329	1	EA	Sprocket 20 th 1 1/8" Bore #40	
225	1150-006	1	EA	Cover Plastic	
230	2600-619	3	EA	Wire Clp-5/8" Concord 770-1209	
240	1804-031	4	EA	Tie Wrap 4"	
245	2615-153	4	EA	Bolt Hex Head 5/16-18 x 3/4	
250	2615-055	4	EA	Bolt Hex Head 3/8-16 x 1 1/2	
275	2615-002	10	EA	Bolt Hex Head 1/4x20x1/2length	
290	2615-154	2	EA	Bolt Hex Head 5/16-18 x 1	
295	2615-252	4	EA	Bolt Whiz Lock 5/16-18 x 1/2	
300	2616-103	4	EA	Screw Pan Head 4-40 5/8"	
315	2616-003	8	EA	Screw Phillips Head 6-32 x 3/4	
316	2616-001	2	EA	Screw Phillips Head 6-32 x 3/8	
345	2620-405	4	EA	Nut Hex 3/8-16	
370	2902-003	6	EA	Nut Nylon Lock 6-32	
371	2902-010	1	EA	Nut Nylon Lock 8-32 Green	
400	2620-047	8	EA	Lockwasher 3/8"	
410	2620-053	4	EA	Lockwasher 5/16"	
411	2620-002	3	EA	Washer 1/4" USS	
415	2600-439	1	EA	Washer Cup - Brass	
417	2802-040	2	EA	Washer Push on Clamp	
420	2600-732	1	EA	Nameplate Plastic DKS	
421	1897-052	2	EA	Gasket, Microphone Support	

430	2599-034	1	EA	Label Gate Operator
431	2599-096	1	EA	Label Key Model 9310
432	2599-012	1	EA	Decal 1601 Switch
435	2599-008	1	EA	Label Patent
440	2599-199	1	EA	Label Universal
445	2599-006	1	EA	Decal SUPPLY GND
450	2599-014	1	EA	Decal Copper Wire Only
455	2599-100	2	EA	Sign Warning
460	1100-130	2	EA	Vibration Isolator 3CC08
465	1100-016	1	EA	Conduit Connector 3/8" ST
467	2000-018	1	EA	Conduit Connector 3/8" RA
470	1100-015	1	EA	Conduit Flex 3/8"x4"
490	4001-093	1	EA	MOV Assembly 130VAC